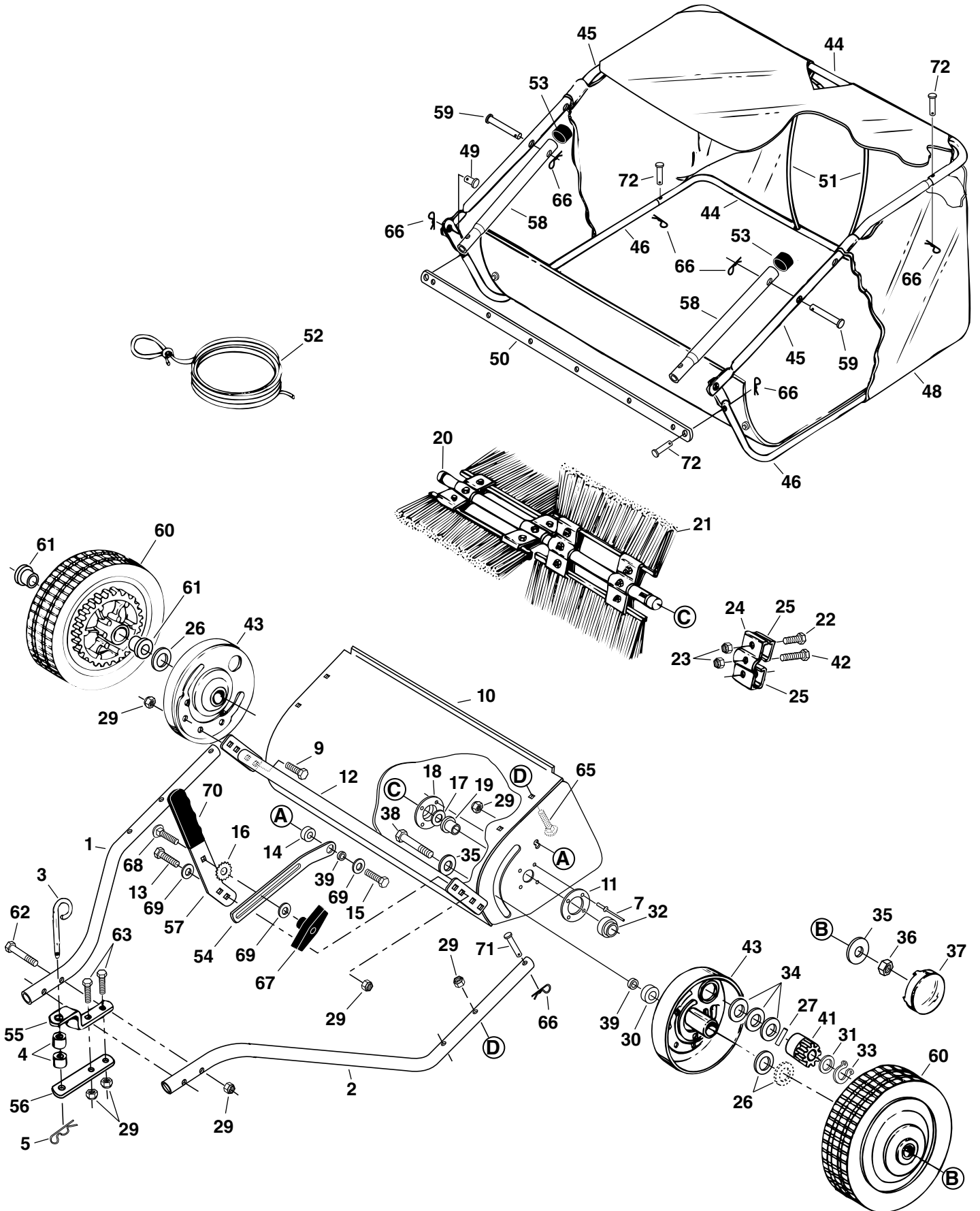


45-03201



45-03201

REF	PART NO.	QTY	DESCRIPTION	REF	PART NO.	QTY	DESCRIPTION
1	40614	1	Hitch Tube, R.H.	38	44961	2	Bolt, Hex 3/8-24 x 3-1/4" Lg.
2	40615	1	Hitch Tube, L.H.	39	23400	3	Bushing, Pivot
3	23353	1	Pin, Hitch	40	48652	1	Pinion Gear RH (not shown)
4	23368	2	Tube, Hitch Spacer	41	48651	1	Pinion Gear LH
5	43343	1	Hairpin Cotter, 1/8" #4	42	43661	4	Bolt, Hex 1/4-20 x 1" Lg.
7	C-9M5732	8	Rivet, Pop	43	64559	2	Dust Cover
9	43182	4	Bolt, Hex 5/16-18 x 3/4"	44	48587	2	Tube, Rear Hopper
10	66137	1	Sweeper Housing	45	48466	2	Tube, Upper Hopper
11	23336	2	Washer, Special	46	48726	2	Tube, Lower Hopper
12	66070	1	Height Adjustment Tube	48	48388	1	Hopper Bag
13	43063	2	Bolt, Hex 5/16-18 x 1"	49	48366	2	Clevis Pin, 3/8" x 1/2"
14	25408	1	Bushing, Spacer	50	24949	1	Strap, Bag Frame
15	43840	1	Bolt, Hex 5/16-18 x 1-1/4"	51	43926	2	Rod, Hopper Support
16	44732	1	Washer, Star	52	43737	1	Hopper Rope
17	R19212113	2	Washer, 5/8" SAE	53	44481	2	Cap, Vinyl
18	1629-56	2	Retainer, Dust Cover	54	24979	1	Strap, Height Adjustment
19	44910	2	Bushing, Brush Shaft	55	23687	1	Bracket, Hitch
20	25850	1	Brush Shaft	56	24192	1	Bracket, Hitch (Straight)
21	48557	4	Brush	57	26243	1	Handle, Height Adjustment
22	43012	8	Bolt, Hex 1/4-20 x 3/4" Lg.	58	40621	2	Tube, Bag Arm
23	47189	12	Nut, Nylock 1/4-20	59	HA23636	2	Pin, Clevis 3/8" x 2.25"
24	23580	4	Retainer, Brush (Double)	60	44985	2	Wheel with bearings
25	23581	8	Retainer, Brush (Single)	61	45088	4	Wheel Bearing
26	44008	2	Washer, 3/4"	62	44292	2	Bolt, Hex 5/16-18 x 2-1/2" Lg.
27	47046	2	Dowel Pin (Drive)	63	44180	2	Bolt, Hex 5/16-18 x 2" Lg.
29	47810	15	Nut, Nylock 5/16-18	65	43681	4	Bolt, Carriage 5/16-18 x 1-1/2"
30	44911	2	Spacer, .39" I.D.	66	43055	12	Hairpin Cotter, 3/32" #3
31	42093	2	Washer, .750" I.D.	67	43720	1	Knob, Wing 5/16-18 Thread
32	46219	2	Spacer, .78 I.D". x 1-1/4" O.D. x .5"	68	44326	1	Bolt, Carriage 5/16-18 x 1"
33	1650-21	2	Ring, Retaining .594"	69	43081	4	Washer, Flat 5/16" Std. Wrt.
34	40001	6	Washer, Shim 1-1/8" x .594" x .025"	70	43943	1	Grip, Height Adjust
35	141	4	Washer, Flat 1-1/2" x .375" x .062"	71	46867	2	Clevis Pin, 1/4" x 1-3/4" Lg.
36	1038	2	Nut, Nylock Jam 3/8-24 Thread	72	48365	6	Clevis Pin, 1/4" x 1-1/8"
37	2674-32	2	Hub Cap		42601	1	Owners Manual

SpeedPart *the fastest way to purchase parts* www.speedepart.com