



OWNERS MANUAL

Model No.
45-01754

CAUTION:
Read Rules for
Safe Operation
and Instructions
Carefully



EXPLORER POLY ATV CART

IMPORTANT!

The wheel bearings are not prelubricated.
The wheel hubs must be filled with grease after the wheels
are assembled to the axle.

- Assembly
- Operation
- Maintenance
- Repair Parts


SpeedEPart *the fastest way to purchase parts* www.speedepart.com

SAFETY RULES

Remember, any power equipment can cause injury if operated improperly or if the user does not understand how to operate the equipment. Exercise caution at all times when using power equipment.



LOOK FOR THIS SYMBOL TO POINT OUT IMPORTANT SAFETY PRECAUTIONS. IT MEANS — ATTENTION! BECOME ALERT! YOUR SAFETY IS INVOLVED.



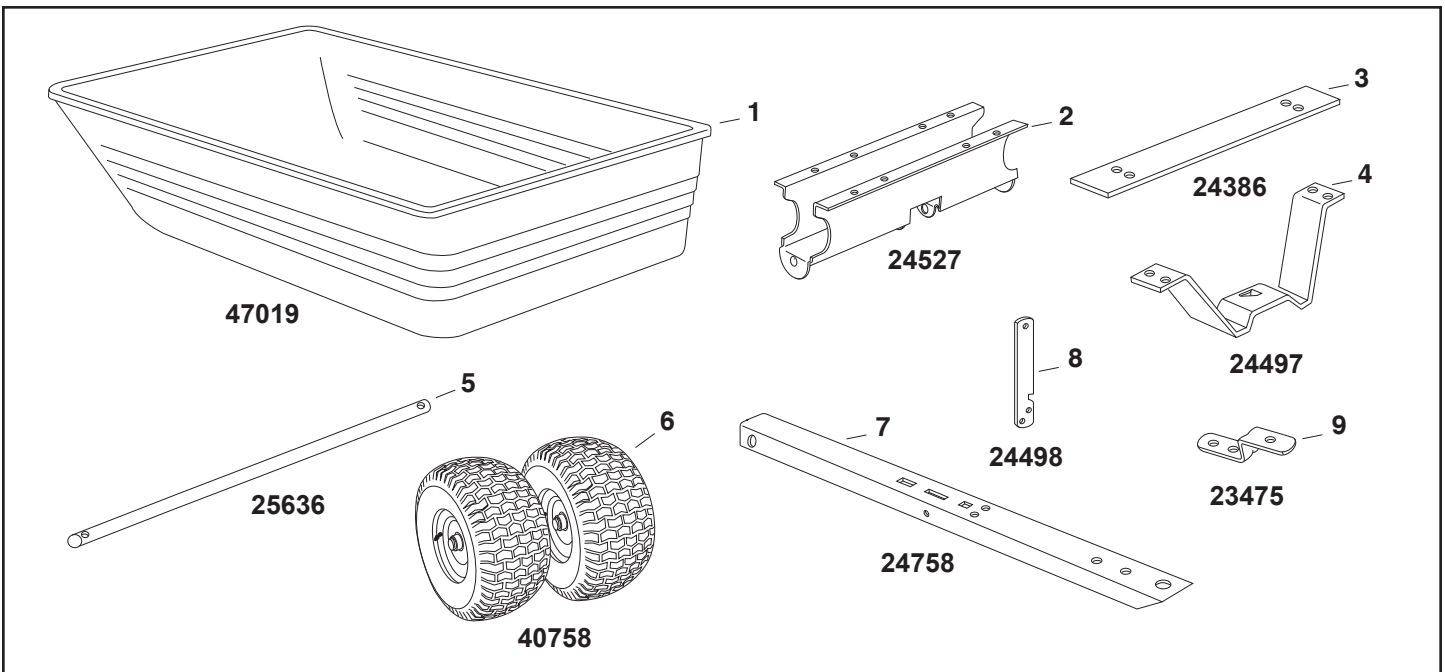
CAUTION: VEHICLE BRAKING AND STABILITY MAY BE AFFECTED WITH THE ADDITION OF AN ACCESSORY OR AN ATTACHMENT. BE AWARE OF CHANGING CONDITIONS ON SLOPES.

Exercise caution at all times when using power equipment.

- Read this owners manual before attempting to assemble or operate the cart.
- Read the vehicle owners manual and know how to operate your vehicle before using the cart attachment.
- Do not at any time carry passengers in this cart. It has not been designed to carry passengers.
- Never allow children to operate the vehicle or the cart attachment.
- Do not allow adults to operate the vehicle or cart attachment without proper instructions.
- Always begin with the transmission in first (low) and gradually increase speed as conditions permit.
- Tow the cart at reduced speed over rough terrain and hillsides or near creeks and ditches to prevent tipping over and loss of control. Do not drive too close to a creek or ditch.
- Vehicle braking and stability may be affected with the attachment of this cart. Do not fill cart to maximum weight capacity without checking the capability of the towing vehicle to safely pull and stop with the cart attached.
- Before operating vehicle on any grade (hill) refer to the safety rules in the vehicle owner's manual concerning safe operation on slopes. Refer also to the slope guide on page 11 of this manual. **Stay off steep slopes!**
- Do not tow this cart on highways or on public thoroughfares.
- Maximum towing speed is 10 m.p.h.
- Follow maintenance and lubrication instructions as outlined in this manual.

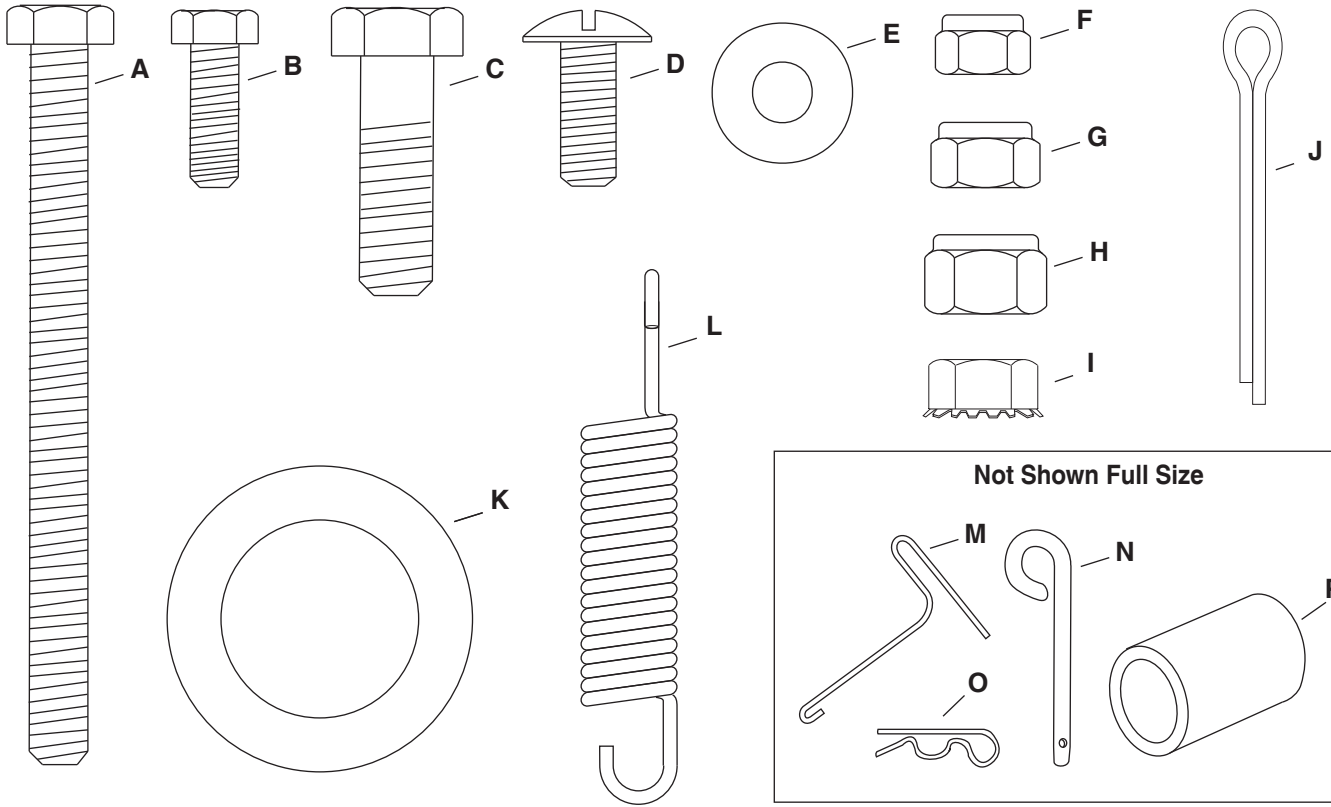
CARTON CONTENTS (Loose Parts)

- | | | |
|------------------------|--------------------|---------------------|
| 1. Poly Tray | 5. Axle | 8. Latch Lock Lever |
| 2. Wheel Support | 6. Wheels (2) | 9. Hitch Bracket |
| 3. Latch Stand Plate | 7. Draw Bar Tongue | |
| 4. Latch Stand Bracket | | |

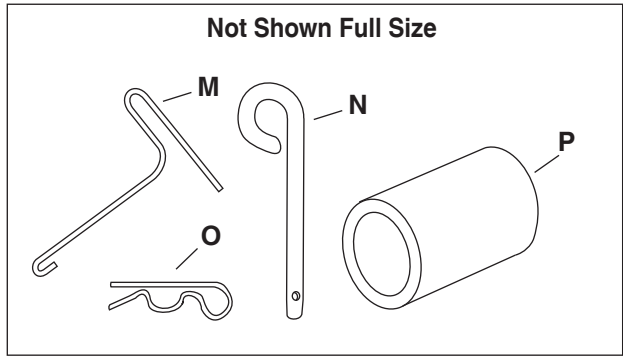


CARTON CONTENTS

HARDWARE SHOWN FULL SIZE



Not Shown Full Size



HARDWARE PACK

REF.	QTY.	PART NO.	DESCRIPTION	REF.	QTY.	PART NO.	DESCRIPTION
A	1	47407	Hex Bolt, 5/16" x 3-3/4"	I	2	46980	SEMS Nut, 5/16"
B	4	43012	Hex Bolt, 1/4" x 3/4"	J	2	43501	Cotter Pin, 9/64" x 1-1/2"
C	2	43087	Hex Bolt, 3/8" x 1-1/4"	K	6	43601	Flat Washer, 1"
D	8	43814	Truss Head Bolt, 5/16" x 3/4"	L	1	47408	Extension Spring
E	4	43088	Flat Washer, 1/4"	M	1	47622	Spring Puller Tool
F	4	47189	Nylock Nut, 1/4"	N	1	23353	Hitch Pin
G	9	47810	Nylock Nut, 5/16"	O	1	43343	Hair Cotter Pin
H	2	HA21362	Nylock Nut, 3/8"	P	2	47453	Spacer Tube

ASSEMBLY INSTRUCTIONS

TOOLS REQUIRED FOR ASSEMBLY

- (1) Screwdriver
- (1) Pliers
- (2) 7/16" Wrenches
- (2) 1/2" Wrench
- (2) 9/16" Wrenches

1. Remove the hardware pack and all loose parts from the carton. Be sure the carton is empty before discarding.
2. Lay out and identify all the parts and hardware as shown on pages 2 and 3.
3. Place the latch lock lever through the slot in the draw bar tongue. Assemble the 5/16" x 3-3/4" hex bolt through the tongue, lever and two 5/16" hex nuts (SEMS) (one on each side of the lever). Assemble a 5/16" nylock nut onto the end of the bolt and **tighten** so that the bolt can still rotate freely. **Tighten** the two 5/16" nylock nuts against the sides of the latch lock lever so that the lever is centered in the slot. See figure 1.

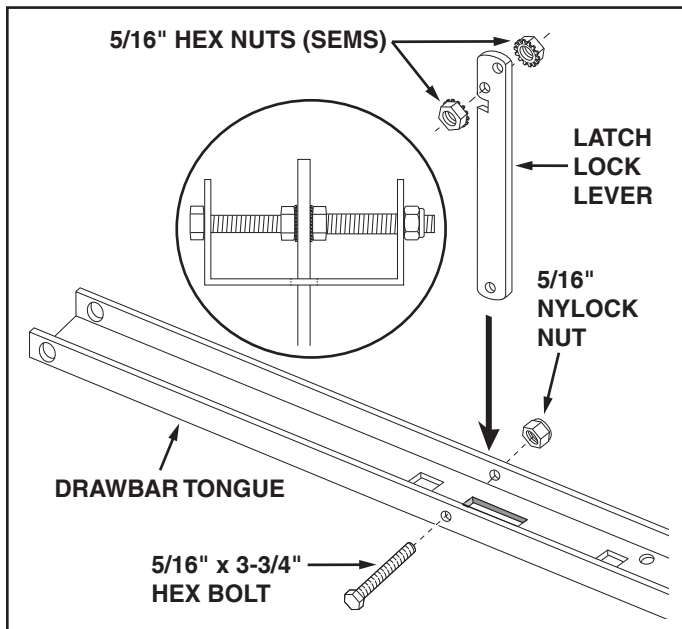


FIGURE 1

4. Hook the **short** end of the spring into the hole in the latch lock lever. Use the spring puller tool to hook the **long** end of the spring into the square hole in the tongue. The spring puller tool can be stored when finished. See figure 2.

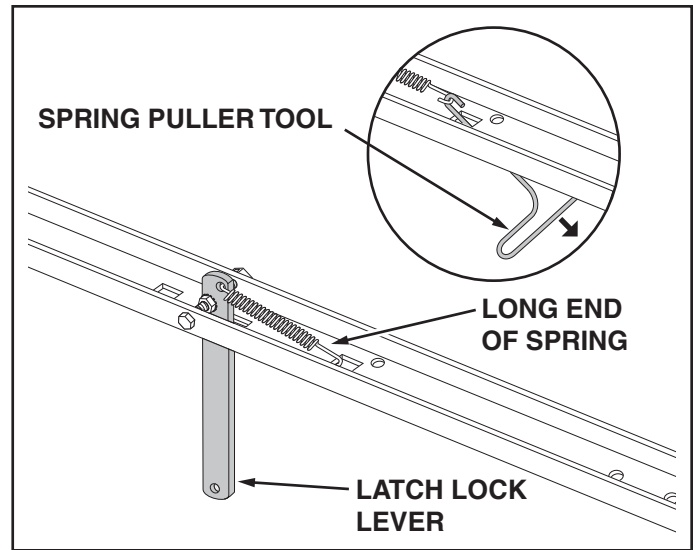


FIGURE 2

5. Assemble the end of the hitch bracket to the front of the drawbar tongue using two 3/8" x 1-1/4" hex bolt and 3/8" nylock nut. **Tighten**. See figure 3.
6. Assemble the hitch pin to the tongue and hitch bracket and secure it with the hair cotter pin. See figure 3.

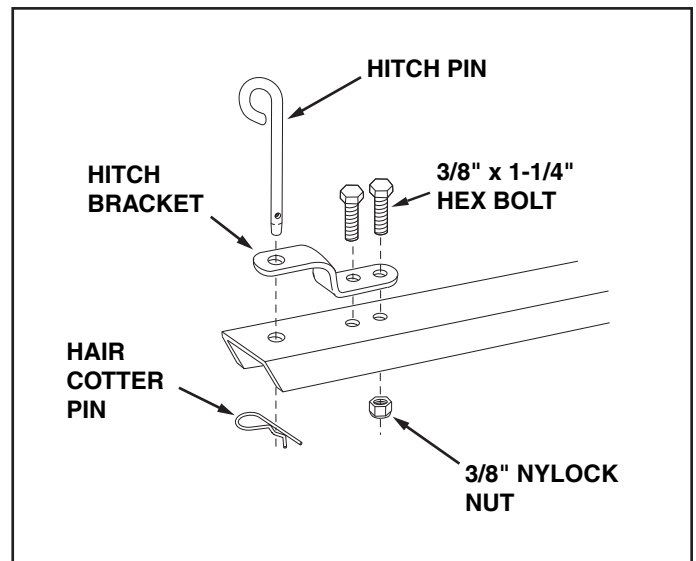


FIGURE 3

7. Place the drawbar tongue onto the wheel support and then slide the axle through the wheel support and drawbar tongue. See figure 4.

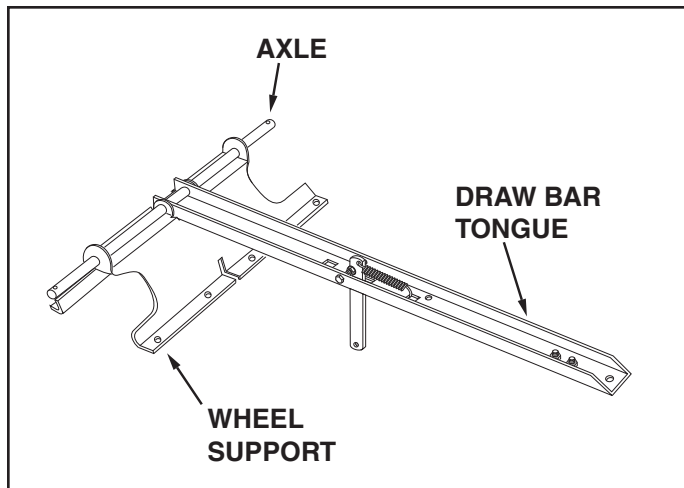


FIGURE 4

8. Assemble a spacer tube, a 1" flat washer, a wheel (valve stem facing out) and another 1" flat washer onto each end of the axle as shown in figure 5. Use the two additional washers if there is extra room on the axle. Insert a cotter pin through the axle, spreading the ends. Fill wheel hubs with grease.

IMPORTANT: Pump grease into grease fittings until it is forced out through ends of wheel hub.

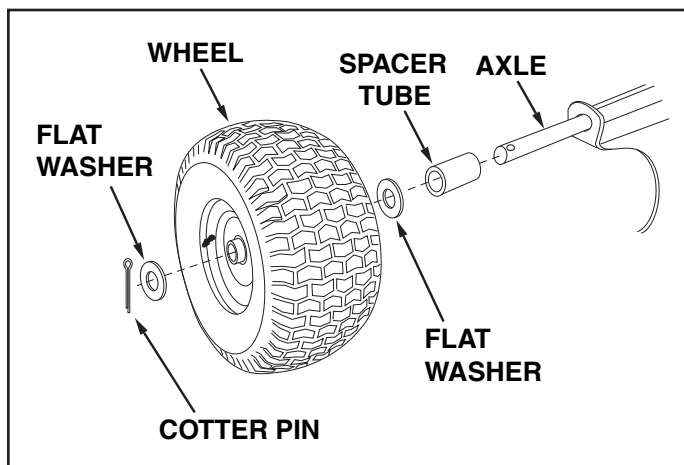


FIGURE 5

9. Assemble the latch stand plate and the latch stand bracket to the bottom of the poly tray using four 1/4" x 3/4" hex bolts, 1/4" flat washers and 1/4" nylock nuts. The aligning tab on the bottom of the latch stand bracket must be towards the rear of the cart. **Tighten.** See figure 6.

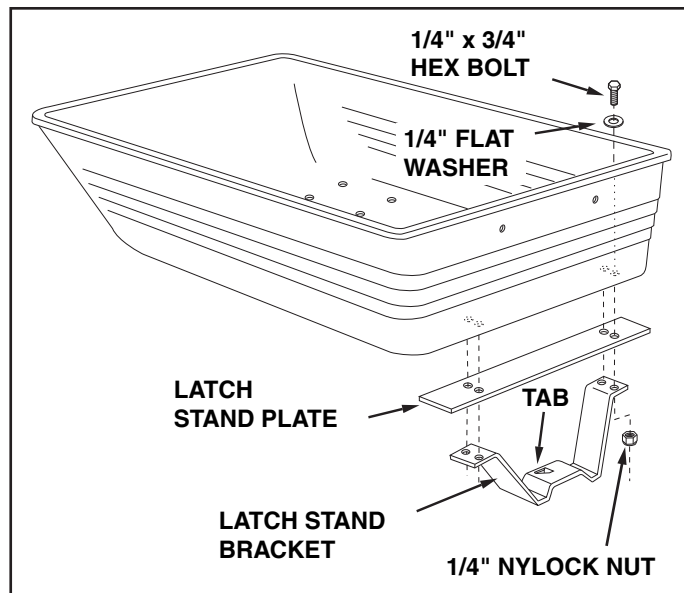


FIGURE 6

10. Place the poly tray down onto the wheel support, positioning it so that the latch stand bracket snaps under the latch lock lever. Fasten the tray to the wheel support using eight 5/16" x 3/4" truss head bolts and 5/16" nylock nuts as shown in figure 7. **Tighten.**

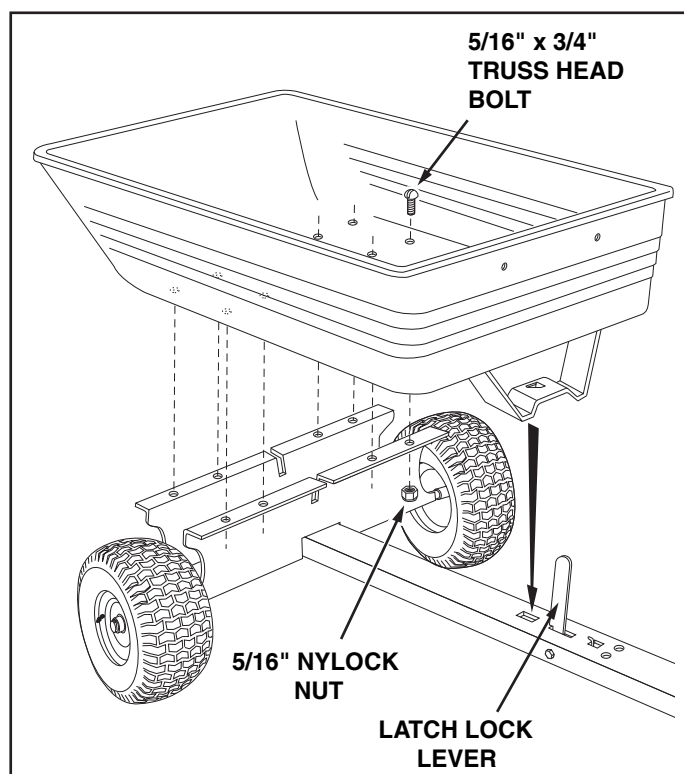


FIGURE 7

OPERATION



CAUTION: VEHICLE BRAKING AND STABILITY MAY BE AFFECTED WITH THE ADDITION OF AN ACCESSORY OR AN ATTACHMENT. BE AWARE OF CHANGING CONDITIONS ON SLOPES.

1. Refer to the vehicle owners manual for instructions on safe operation on slopes.
2. Use the slope guide provided on page 11 of this manual to determine whether slope angle is too steep for safe operation.
3. For best handling and traction, distribute the weight of the load evenly in the cart.
4. Always test to make sure your vehicle has adequate towing and braking capabilities whenever hauling a substantial amount of weight in your cart. Use extra caution when operating on slopes.

NOTE

DO NOT EXCEED WEIGHT CAPACITY OF CART

(See the specifications on this page.)

One cubic foot of dirt weighs approximately 80 lbs.

5. To dump material from the cart, release the spring latch on the tongue by pulling the latch lock lever forward, away from the cart. The cart bed will then tilt backwards to empty its contents. After emptying, pull the front of the bed down toward the cart tongue until the latch snaps into place.
6. The maximum towing speed for this cart is 20 m.p.h.



CAUTION: TO AVOID POSSIBLE INJURY, BEFORE RELEASING THE LATCH BE SURE THAT NO ONE IS NEAR THE CART.

MAINTENANCE

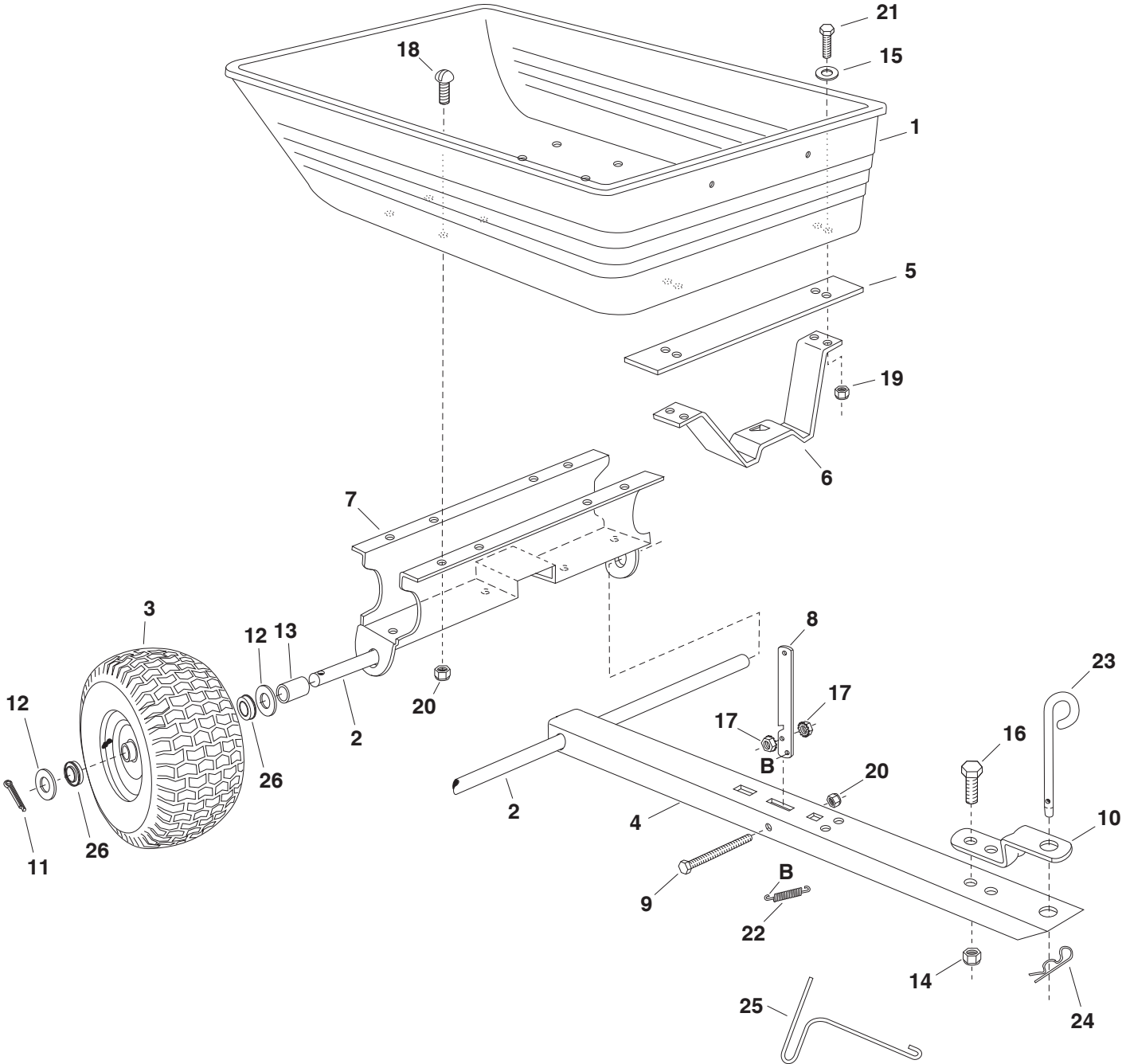
1. At the beginning of each season, using a light machine oil, lubricate the latch, the latch pivot bolt, and the area of the axle where the draw bar tongue pivots.
2. At the beginning of each season, grease the wheel bearings. Apply grease through the grease fitting until grease is forced out through the ends of the wheel hub.
3. Check periodically for loose bolts.
4. Keep tires filled. Do not exceed maximum tire pressure of 10 Lbs.

CART SPECIFICATIONS

Tires:	18" x 6.5" Pneumatic
Axle:	1" Dia. Steel
Capacity:	Up to 650 Lbs. Max.
Approx. Sh. Wt.	100 Lbs.

NOTES

REPAIR PARTS FOR POLY CART MODEL 45-01754



REPAIR PARTS FOR POLY CART MODEL 45-01754

REF.	PART NO.	QTY.	DESCRIPTION
1	47019	1	Poly Tray
2	25636	1	Axle, 1"
3	40758	2	Wheel
4	24758	1	Draw Bar Tongue
5	24386	1	Latch Stand Plate
6	24497	1	Latch Stand Bracket
7	24527	1	Wheel Support
8	24498	1	Latch Lock Lever
9	47407	1	Hex Bolt, 5/16-18 x 3-3/4"
10	23475	1	Hitch Bracket
11	43501	2	Cotter Pin, 9/64" x 1-1/2"
12	43601	4	Washer, Flat 1.59" O.D. x 1" I.D.
13	47453	2	Spacer Tube, 3-1/8" Lg.
14	HA21362	2	Nylock Nut, 3/8-16*
15	43088	4	Flat Washer, 1/4"
16	43087	2	Hex Bolt, 3/8-16 x 1-1/4" *
17	46980	2	Hex Nut (SEMS), 5/16-18
18	43814	8	Truss Head Bolt, 5/16-18 x 3/4"
19	47189	4	Nylock Nut, 1/4-20
20	47810	9	Nylock Nut, 5/16-18
21	43012	4	Hex Bolt, 1/4-20 x 3/4" *
22	47408	1	Extension Spring
23	23353	1	Hitch Pin
24	43343	1	Hair Cotter Pin, 3/32"
25	47622	1	Spring Puller
26	65408	2	Wheel Bearing Kit
	40757	1	Owners Manual

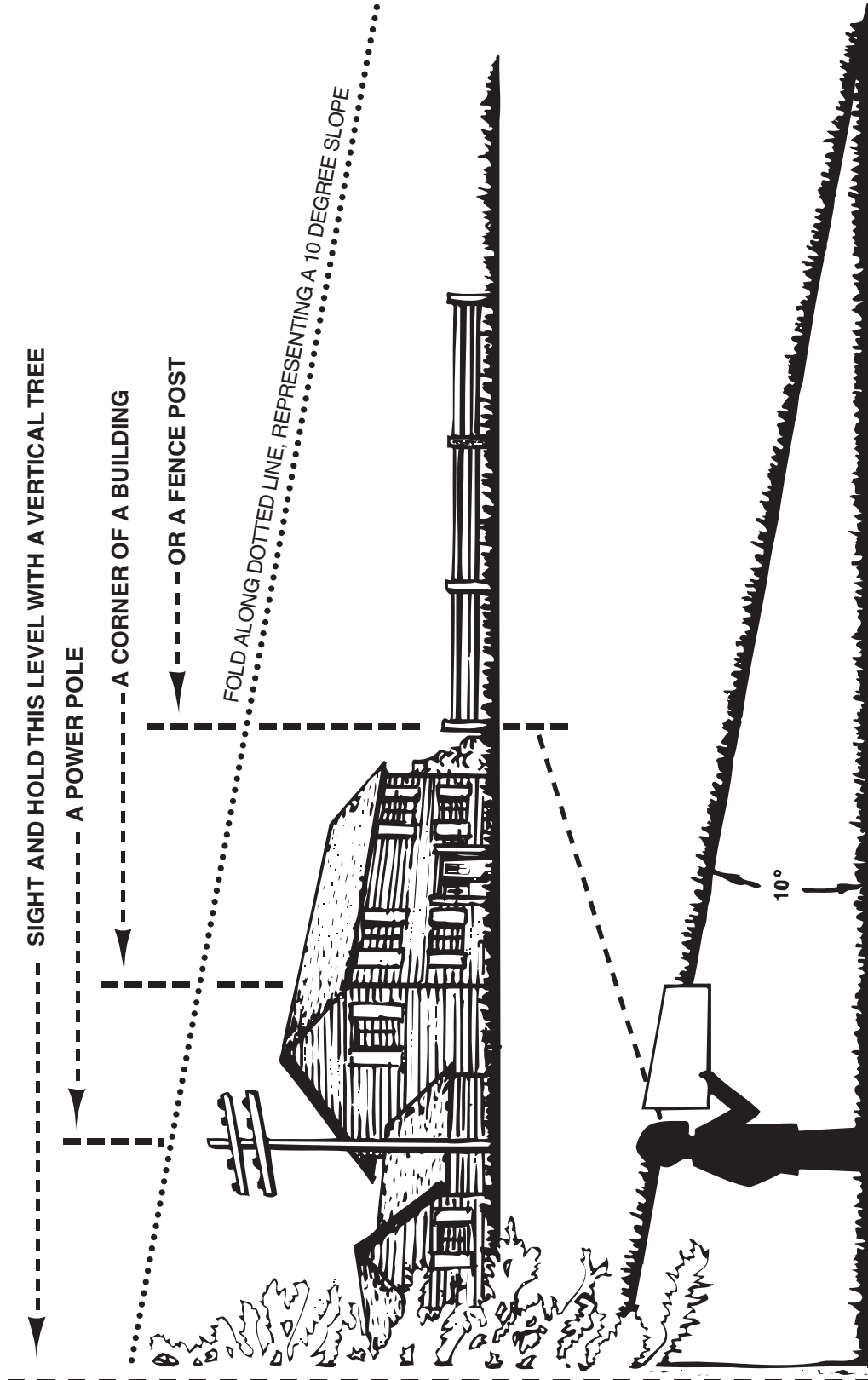
* Purchase Common Hardware Locally


SpeedPart *the fastest way to purchase parts* www.speedepart.com

SLOPE GUIDE

(Keep this sheet in a safe place for future reference.)

Use this guide to determine if a slope is safe for the operation of your tractor and cart. Refer also to the instructions in your vehicle owners manual.




CAUTION: DO NOT OPERATE YOUR TRACTOR AND CART ON A SLOPE IN EXCESS OF 10 DEGREES. BE SURE OF YOUR TRACTOR'S STOWING AND BRAKING CAPABILITIES BEFORE OPERATING ON A SLOPE. AVOID ANY SUDDEN TURNS OR MANEUVERS WHILE ON A SLOPE.

SpeedEPart *the fastest way to purchase parts* www.speedepart.com

REPAIR PARTS

Agri-Fab, Inc.
809 S. Hamilton
Sullivan, IL. 61951
217-728-8388
www.agri-fab.com

This document (or manual) is protected under the U.S. Copyright Laws and the copyright laws of foreign countries, pursuant to the Universal Copyright Convention and the Berne convention. No part of this document may be reproduced or transmitted in any form or by any means, electronic or mechanical, including photocopying or recording, or by any information storage or retrieval system, without the express written permission of Agri-Fab, Inc. Unauthorized uses and/or reproductions of this manual will subject such unauthorized user to civil and criminal penalties as provided by the United States Copyright Laws.

© 2004 Agri-Fab, Inc.