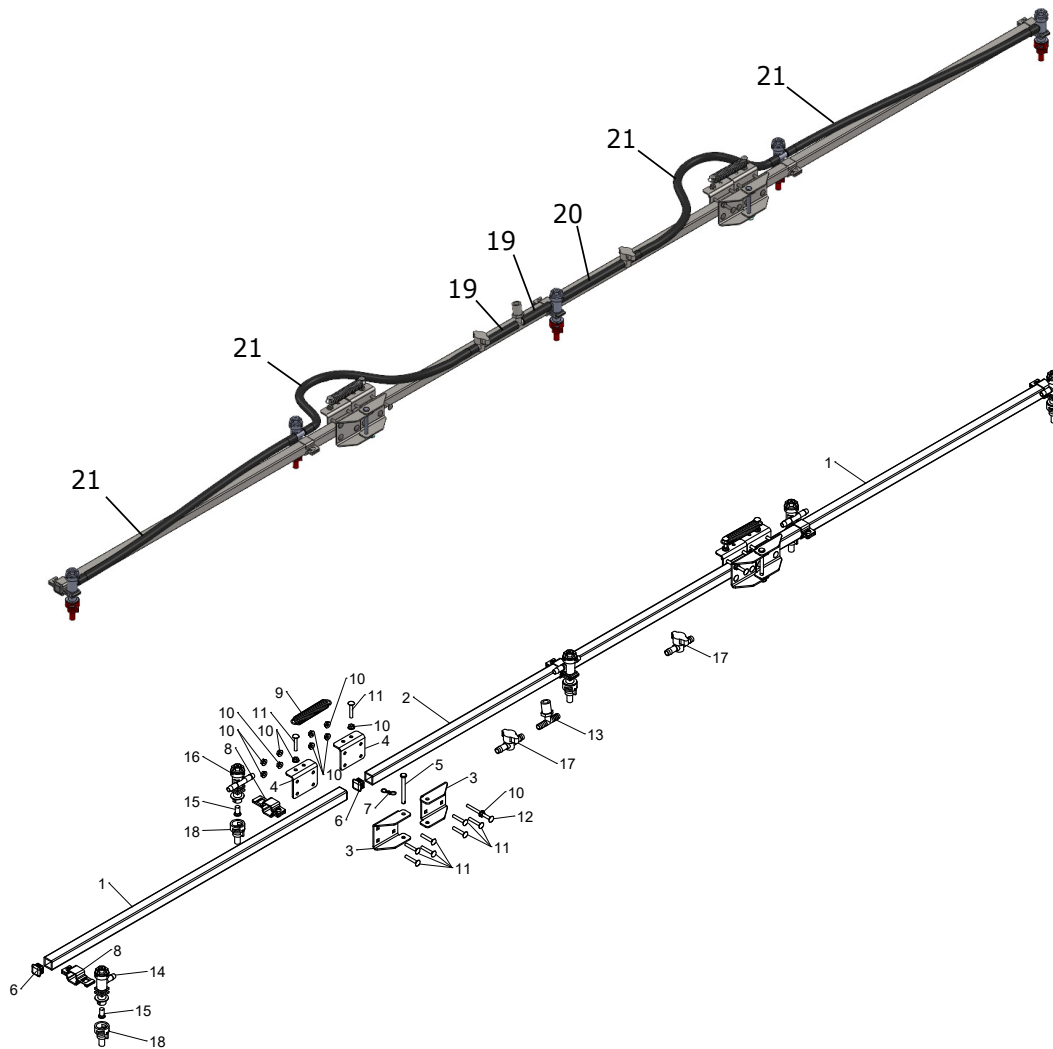


12.5' Folding Boom



ITEM NO.	PART NUMBER	DESCRIPTION	QTY.	Note
1	5CS60085	Side Boom Tube 37"	2	
2	5CS60083	Center Boom Tube 48"	1	
3	5CS43849	Boom Hinge Bracket	4	
4	5CS43389	Boom Hinge Backing Plate	4	
5	5CS43402	5/16" x 3" Clevin Pin	2	
6	5CS43401	Plastic End Cap 1"	6	
7	5CS43624	Small Bowtie Clip	2	
8	5CS43598	Square Tube Clamp 1"	5	
9	5CS43403	Spring 3/4" x 3-3/4" x .105	2	

12.5' Folding Boom

ITEM NO.	PART NUMBER	DESCRIPTION	QTY.	Note
10	N10217	1/4" Flange Nut	26	
11	03H1810	1/4" x 1-1/2" Carriage Bolt	18	
12	FH325451	1/4" x 3" Carriage Bolt	2	
13	5CS43597	Tee 1/2" Barb - 1/2" NPT F	1	
14	5CS43658	Nozzle Body Single Hose 1/2"	2	
15	5CS43411	Spray Tip Screen	5	
16	5CS43595	Nozzle Body Dual Hose 1/2"	3	
17	5CS43736	In-line Valve 1/2"	2	
18	5CS43843	Air Induction Spray Tip 0.4 gpm	5	
19		1/2" Hose	2	CTL 2.5", MF 5CS43418
20		1/2" Hose	1	CTL 6", MF 5CS43418
21		1/2" Hose	4	CTL 19.25", MF 5CS43418
-	5CS43652	Hose Clamp Screw Type 3/8" - 1/2"	14	Not Illustrated