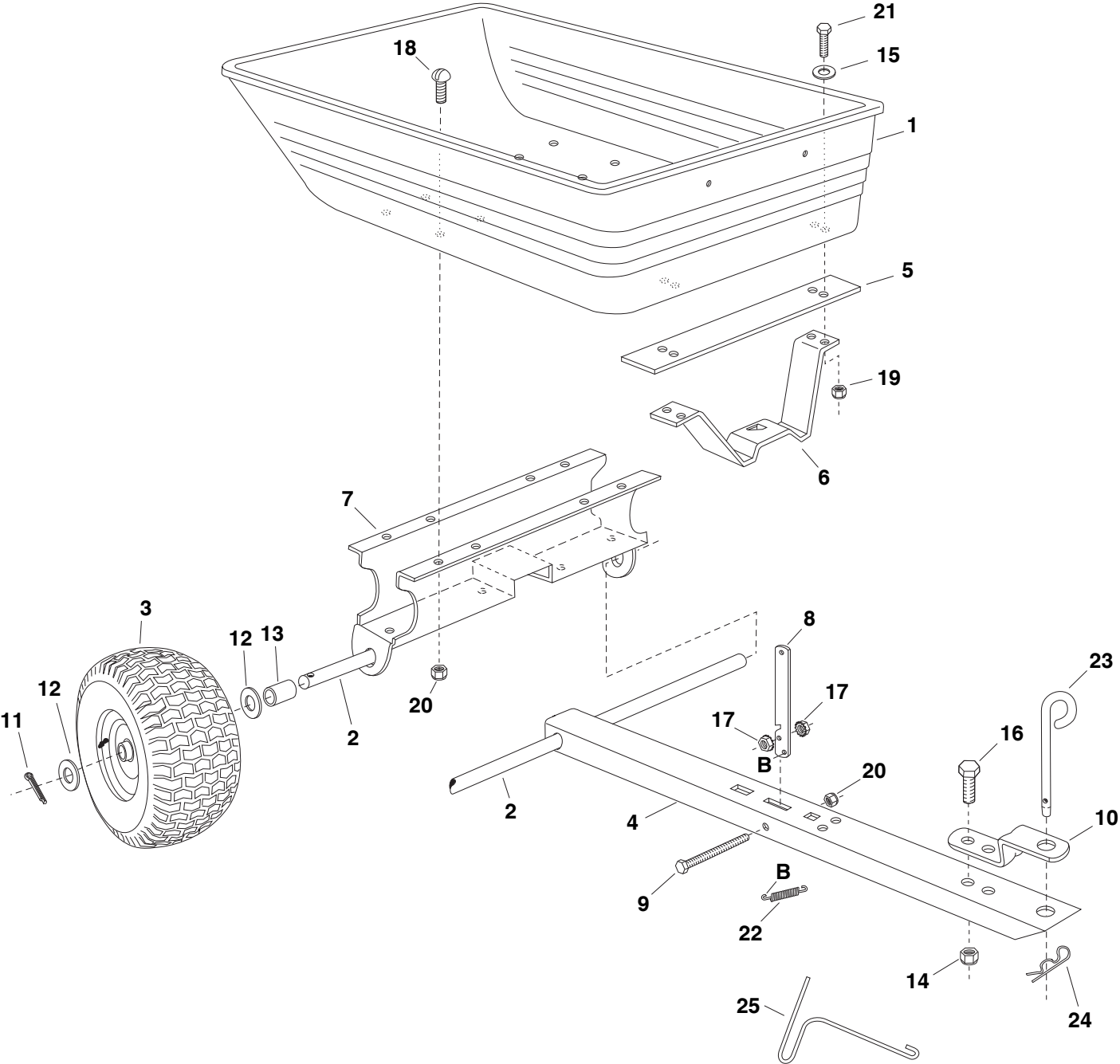


REPAIR PARTS FOR POLY CART MODEL 45-01753



REPAIR PARTS FOR POLY CART MODEL 45-01753

| REF. NO. | PART NO. | QTY. | DESCRIPTION |
|----------|----------|------|-----------------------------------|
| 1 | 47019 | 1 | Poly Tray |
| 2 | 25636 | 1 | Axle, 1" |
| 3 | 48906 | 2 | Wheel |
| 4 | 24758 | 1 | Draw Bar Tongue |
| 5 | 24386 | 1 | Latch Stand Plate |
| 6 | 24497 | 1 | Latch Stand Bracket |
| 7 | 24527 | 1 | Wheel Support |
| 8 | 24498 | 1 | Latch Lock Lever |
| 9 | 47407 | 1 | Hex Bolt, 5/16-18 x 3-3/4" |
| 10 | 23475 | 1 | Hitch Bracket |
| 11 | 43093 | 2 | Cotter Pin, 1/8" x 1-1/2" |
| 12 | 43601 | 4 | Washer, Flat 1.59" O.D. x 1" I.D. |
| 13 | 47453 | 2 | Spacer Tube, 3-1/8" Lg. |
| 14 | HA21362 | 1 | Nylock Nut, 3/8-16* |
| 15 | 43088 | 4 | Flat Washer, 1/4" |
| 16 | 43087 | 1 | Hex Bolt, 3/8-16 x 1-1/4" * |
| 17 | 46980 | 2 | Hex Nut (SEMS), 5/16-18 |
| 18 | 43814 | 8 | Truss Head Bolt, 5/16-18 x 3/4" |
| 19 | 47189 | 4 | Nylock Nut, 1/4-20 |
| 20 | 47810 | 9 | Nylock Nut, 5/16-18 |
| 21 | 43012 | 4 | Hex Bolt, 1/4-20 x 3/4" * |
| 22 | 47408 | 1 | Extension Spring |
| 23 | 23353 | 1 | Hitch Pin |
| 24 | 43343 | 1 | Hair Cotter Pin, 3/32" |
| 25 | 47622 | 1 | Spring Puller |
| | 40321 | 1 | Owner's Manual |

* Purchase Common Hardware Locally

SpeedEPart the *fastest* way to *purchase* parts www.speedepart.com