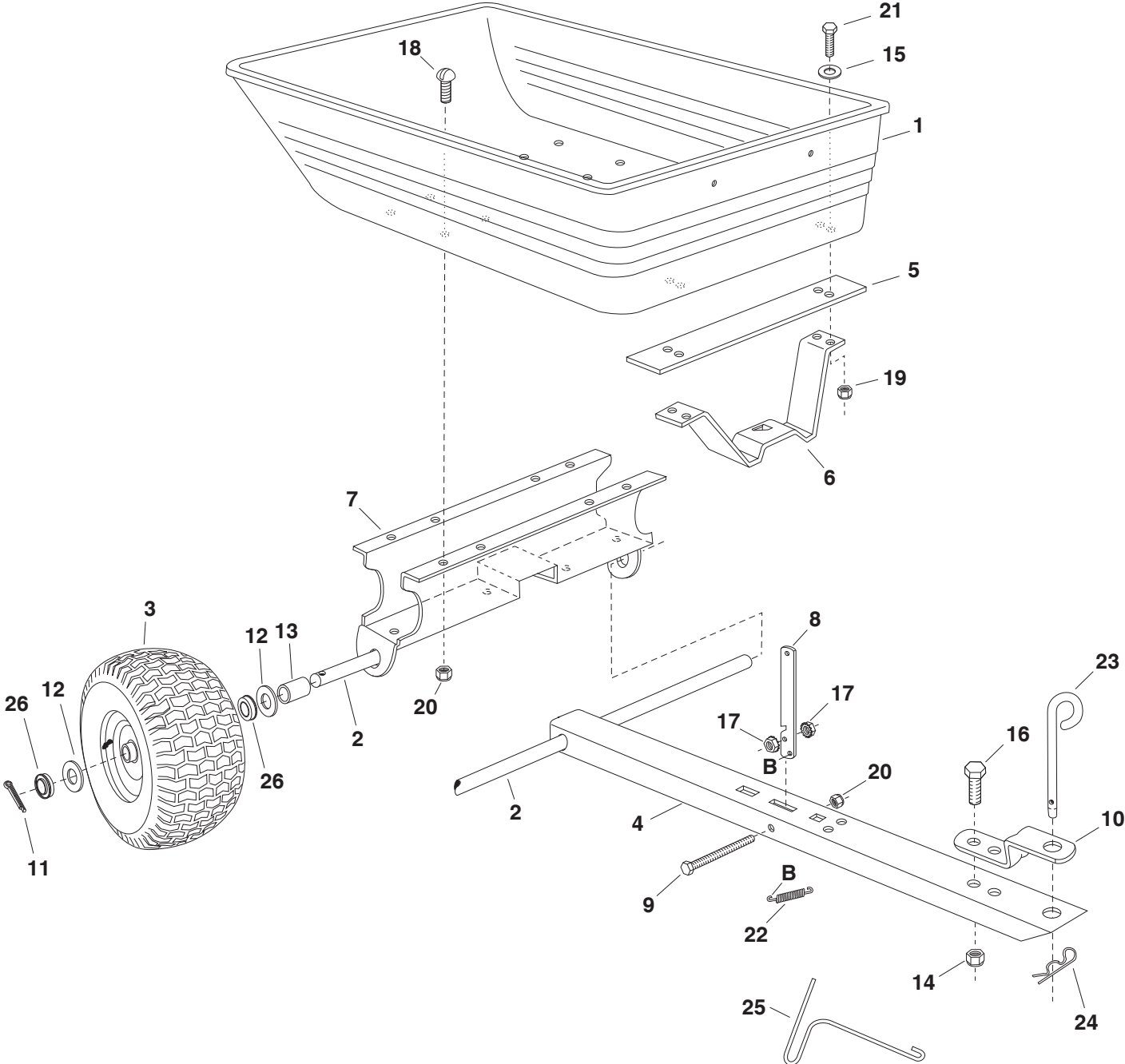


REPAIR PARTS FOR POLY CART MODEL 45-01754



REPAIR PARTS FOR POLY CART MODEL 45-01754

REF.	PART NO.	QTY.	DESCRIPTION
1	47019	1	Poly Tray
2	25636	1	Axle, 1"
3	40758	2	Wheel
4	24758	1	Draw Bar Tongue
5	24386	1	Latch Stand Plate
6	24497	1	Latch Stand Bracket
7	24527	1	Wheel Support
8	24498	1	Latch Lock Lever
9	47407	1	Hex Bolt, 5/16-18 x 3-3/4"
10	23475	1	Hitch Bracket
11	43093	2	Cotter Pin, 1/8" x 1-1/2"
12	43601	4	Washer, Flat 1.59" O.D. x 1" I.D.
13	47453	2	Spacer Tube, 3-1/8" Lg.
14	HA21362	1	Nylock Nut, 3/8-16*
15	43088	4	Flat Washer, 1/4"
16	43087	1	Hex Bolt, 3/8-16 x 1-1/4" *
17	46980	2	Hex Nut (SEMS), 5/16-18
18	43814	8	Truss Head Bolt, 5/16-18 x 3/4"
19	47189	4	Nylock Nut, 1/4-20
20	47810	9	Nylock Nut, 5/16-18
21	43012	4	Hex Bolt, 1/4-20 x 3/4" *
22	47408	1	Extension Spring
23	23353	1	Hitch Pin
24	43343	1	Hair Cotter Pin, 3/32"
25	47622	1	Spring Puller
26	65408	2	Wheel Bearing Kit
	40757	1	Owners Manual

* Purchase Common Hardware Locally

SpeedPart *the fastest way to purchase parts* www.speedpart.com