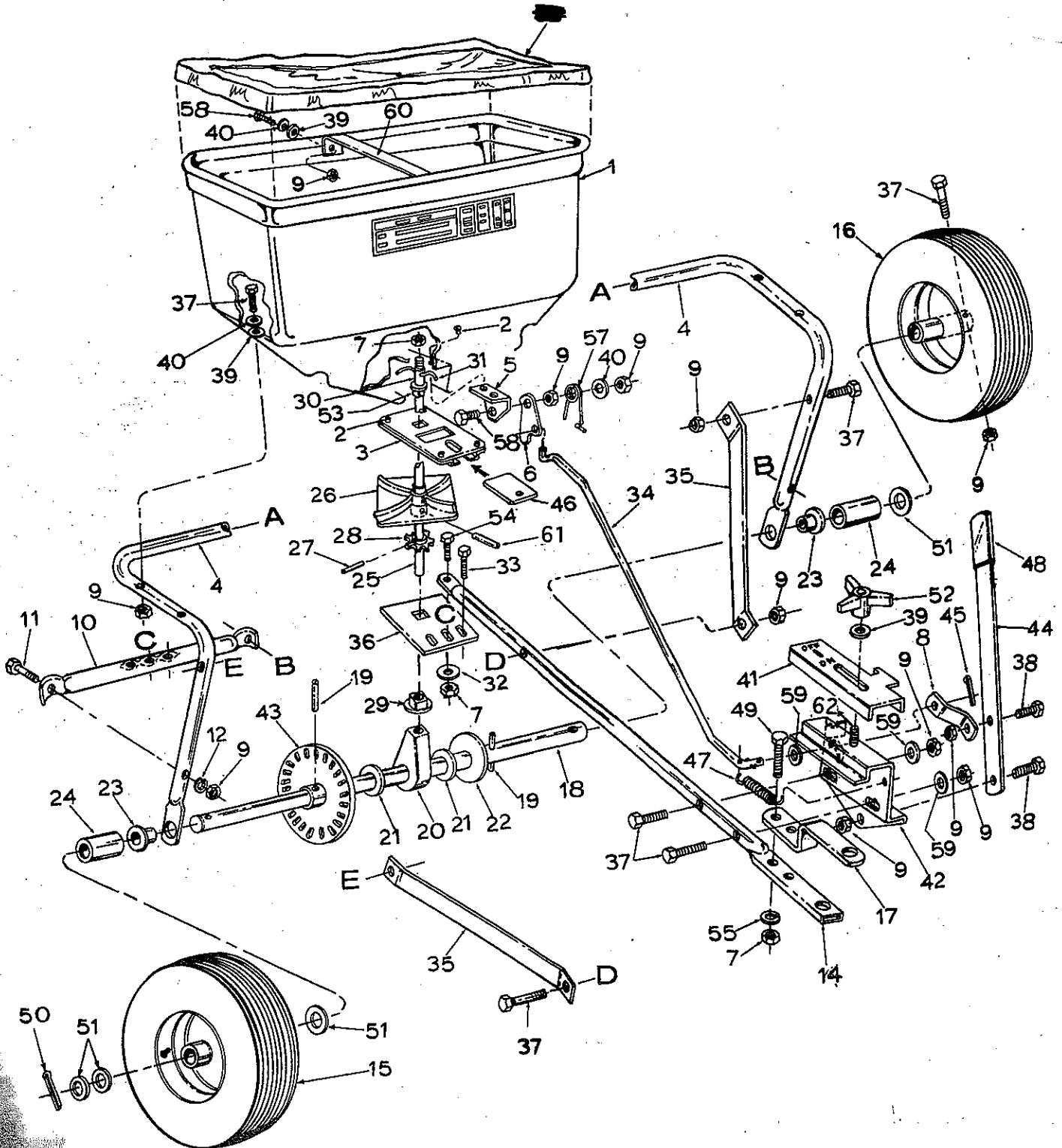


REPAIR PARTS FOR BROADCAST SPREADER MODEL 45-01871



REPAIR PARTS LIST FOR BROADCAST SPREADER MODEL 45-01871

| REF. NO. | PART NO. | QTY. | DESCRIPTION | REF. NO. | PART NO. | QTY. | DESCRIPTION |
|----------|----------|------|------------------------------------|----------|-----------|------|-------------------------------------|
| 1 | 44480 | 1 | Hopper | 32 | 43070 | 3 | Washer, Flat 3/8" |
| 2 | 43882 | 6 | Rivet - Stainless | 33 | 41576 | 2 | Bolt, Hex 3/8-16 x 1-3/4" Lg. Gr. 5 |
| 3 | 62482 | 1 | Ass'y - Guide Closure | 34 | 44469 | 1 | Rod, Flow Control |
| 4 | 44462 | 1 | Tube Frame | 35 | 23525 | 2 | Brace, Hitch |
| 5 | 23753 | 1 | Slide Gate Angle Bracket | 36 | 23762 | 1 | Shaft Support Plate |
| 6 | 23758 | 1 | Slide Gate Bracket | 37 | 1509-069 | 12 | Bolt, Hex 1/4-20 x 1-3/4" |
| 7 | 43082 | 5 | Nut, Hex Lock 3/8-16 Thd. | 38 | 43866 | 2 | Bolt, Hex 1/4-20 x 5/8" Lg. Gr. 5 |
| 8 | 23756 | 1 | Flow Control Link | 39 | 1543-069 | 9 | Washer, Nylon |
| 9 | 43013 | 18 | Nut, Hex Lock 1/4-20 Thread | 40 | 43088 | 11 | Washer, Flat 1/4" Std. |
| 10 | 43808 | 1 | Tube Crossover | 41 | 23755 | 1 | Gauge, Flow Control |
| 11 | 43084 | 2 | Bolt, Hex 5/16-18 x 1-3/4" Lg. | 42 | 23754 | 1 | Bracket, Flow Control Mount |
| 12 | 43086 | 2 | Lock Washer, 5/16" | 43 | 62474 | 1 | Gear Ass'y. |
| 13 | 43064 | 2 | Nut, Hex Lock 5/16-18 Thd. | 44 | 23757 | 1 | Flow Control Arm |
| 14 | 44487 | 1 | Tube, Hitch | 45 | 44101 | 1 | Cotter Pin 3/32" x 3/4" Lg. |
| 15 | 44458 | 1 | Wheel, Ass'y 16" x 4" | 46 | 23533 | 1 | Plate, Closure |
| 16 | 44459 | 1 | Wheel, Ass'y 16" x 4" W/ Hole | 47 | 43000 | 1 | Spring, Extension |
| 17 | 23687 | 1 | Bracket, Hitch | 48 | 43848 | 1 | Grip, Flow Control Arm |
| 18 | 23522 | 1 | Shaft, Axle | 49 | 43087 | 2 | Bolt, Hex 3/8-16 x 1-1/4" Lg. |
| 19 | 43851 | 2 | Pin, Spring 3/16" Dia. x 1.25" Lg. | 50 | 43093 | 1 | Cotter Pin, 1/8" x 1-1/2" Lg. |
| 20 | 43871 | 1 | Bushing, Axle Shaft | 51 | 43009 | 4 | Washer 1-5/8" O.D. x 25/32" I.D. |
| 21 | 1540-032 | 5 | Washer, Flat .78" I.D. | 52 | 43849 | 1 | Knob, Plastic 1/4-20 Thread |
| 22 | 1540-162 | 1 | Washer, Flat 3/4" | 53 | 44285 | 1 | Bushing Delrin 3/8 I.D. |
| 23 | 44798 | 2 | Bearing Flange | 54 | 43054 | 1 | Bolt, Hex 3/8-16 x 2" Lg. Gr. 5 |
| 24 | 44474 | 2 | Spacer | 55 | 43003 | 2 | Lock Washer, 3/8" |
| 25 | 23524 | 1 | Shaft, Sprocket | 56 | 43962 | 1 | XXXXXXXXXXXX |
| 26 | 04367 | 1 | Spreader Plate | 57 | 44566 | 1 | Spring, Torsion |
| 27 | 43850 | 1 | Pin, Spring 1/8" x 5/8" Lg. | 58 | 43012 | 3 | Bolt, Hex 1/4-20 x 3/4" Lg. Gr. 5 |
| 28 | 44468 | 1 | Sprocket - 6 T. | 59 | R19111116 | 3 | Washer, 5/16" SAE |
| 29 | 43852 | 1 | Bushing, Nylon 3/8 ID | 60 | 23697 | 1 | Strap, Hopper |
| 30 | 23766 | 1 | Sleeve, Agitator | 61 | 46055 | 1 | Pin, Spring 1/8" x 1" Lg. |
| 31 | 43878 | 1 | Wire, Agitator | 62 | 44950 | 1 | Bolt, Carriage 1/4-20 x 3/4" Lg. |
| | | | | | 46513 | 1 | Owner's Manual |