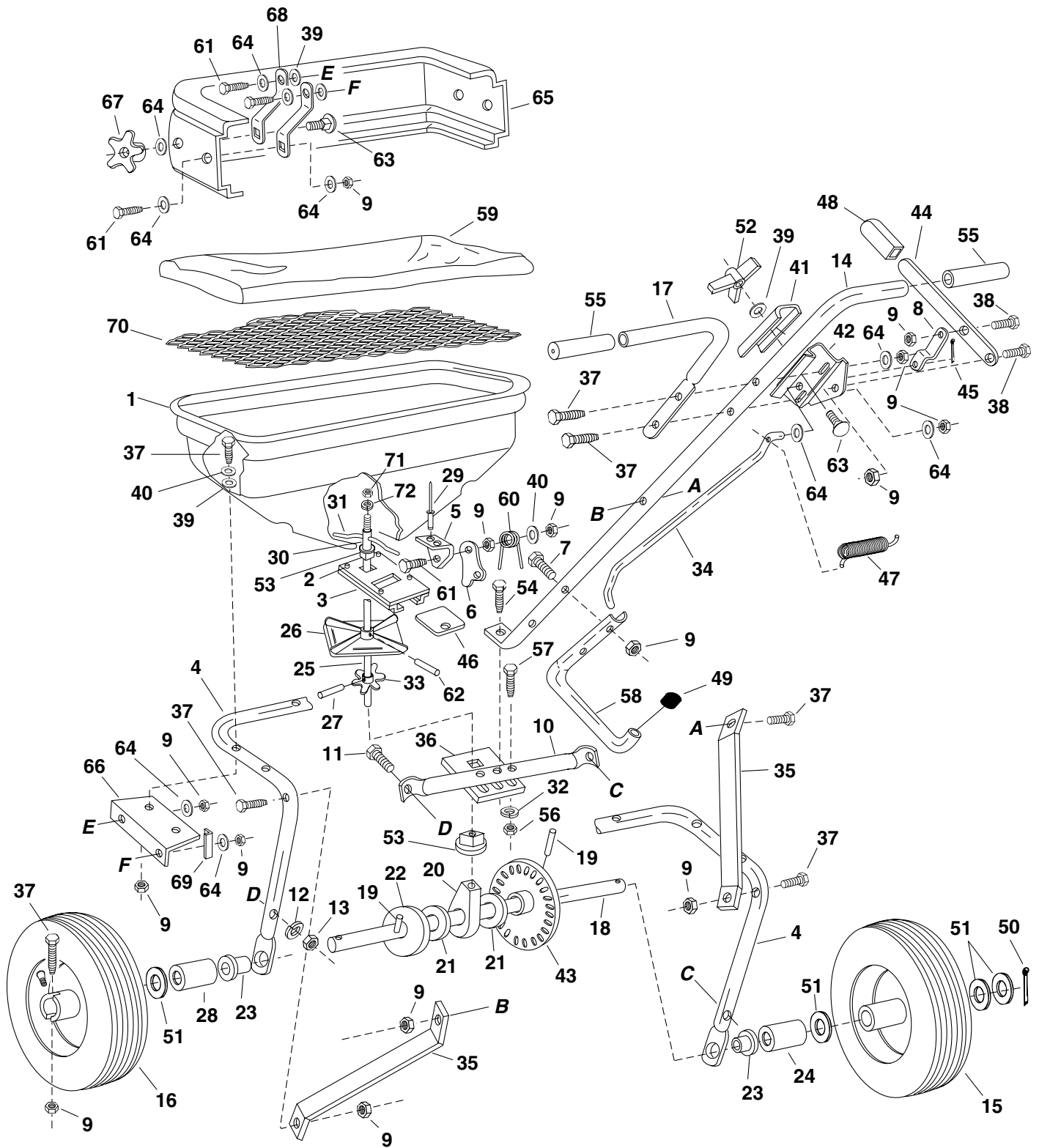


REPAIR PARTS FOR BROADCAST SPREADER MODEL 45-02101-101



REPAIR PARTS FOR BROADCAST SPREADER MODEL 45-02101-101

REF. NO.	PART NO.	QTY.	DESCRIPTION	REF. NO.	PART NO.	QTY.	DESCRIPTION
1	44466	1	Hopper	37	1509-069	12	Bolt, Hex 1/4-20 x 1-3/4" Lg. *
2	43882	4	Rivet, Stainless	38	43866	2	Bolt, Hex 1/4-20 x 5/8" Lg. Gr. 5*
3	62482	1	Ass'y, Guide Closure	39	1543-069	11	Washer, Nylon
4	44462	1	Tube, Frame	40	43088	9	Washer, Flat 1/4" Std.
5	23753	1	Slide Gate Angle Bracket	41	23755	1	Gage, Flow Control
6	23758	1	Slide Gate Bracket	42	23754	1	Bracket, Flow Control Mount
7	43648	2	Bolt, Hex 1/4-20 x 1-1/2" Lg.*	43	62474	1	Gear Assembly
8	23756	1	Flow Control Link	44	23759	1	Flow Control Arm
9	43013	24	Nut, Hex Lock 1/4-20 Thd. *	45	44101	1	Cotter Pin 3/32" x 3/4" Lg.*
10	43808	1	Tube, Crossover	46	23533	1	Plate, Closure
11	43084	2	Bolt, Hex 5/16-18 x 1-3/4" Lg. Gr. 5	47	43000	1	Spring, Extension
12	43086	2	Lock Washer, 5/16"	48	43848	1	Grip, Flow Control Arm
13	43064	2	Nut, Hex 5/16-18 Thd.*	49	44481	1	Cap, Vinyl
14	44463	1	Tube, Handle (Long)	50	43093	1	Cotter Pin, 1/8" x 101/2" Lg.
15	44456	1	Wheel Ass'y. 14" x 4"	51	43009	4	Washer, 1-5/8" O.D. x 25/32" I.D.
16	44457	1	Wheel Ass'y. (W/Hole) 14" x 4"	52	43849	1	Knob, Plastic 1/4-20 Thd.
17	44464	1	Tube, Handle (Short)	53	44285	2	Bushing, Delrin 3/8" I.D.
18	23752	1	Shaft, Axle	54	43054	1	Bolt, Hex 3/8-16 x 2" Lg. Gr. 5
19	43851	2	Pin, Spring 3/16" Dia. x 1-1/4" Lg.	55	44482	2	Grip, Handle
20	43871	1	Bushing, Axle Shaft	56	43082	3	Nut, Hex Lock 3/8-16 Thd.
21	1540-032	5	Washer, Flat .78" I.D.	57	41576	2	Bolt, Hex 3/8-16 x 1-3/4" Lg. Gr. 5
22	1540-162	1	Washer, Flat 3/4" Std.	58	44465	1	Tube, Leg Stand
23	44798	2	Bearing, Flange	59	43962	1	Optional Vinyl Hopper Cover
24	44494	1	Tube, Spacer	60	44566	1	Spring, Torsion
25	47437	1	Shaft, Impeller	61	43012	7	Bolt, Hex 1/4-20 x 3/4" Lg. Gr. 5
26	04367	1	Spreader Plate	62	46055	1	Pin, Spring 1/8" x 1" Lg.
27	43850	1	Pin, Spring 1/8" Dia. x 5/8" Lg.	63	44950	3	Bolt, Carriage 1/4-20 x 3/4" Lg.
28	44500	1	Spacer, 1" O.D. x 1" Lg.	64	R191111116	17	Washer, Flat 5/16"
29	C-9M5732	2	Rivet, Pop	65	46119	1	Shield, Spreader
30	23766	1	Sleeve, Agitator	66	24125	2	Bracket, Shield
31	43878	1	Wire, Agitator	67	46120	2	Knob, Plastic
32	43070	5	Washer, Flat 3/8"	68	23998	4	Bracket, Swivel
33	44468	1	Sprocket - 6 Tooth	69	23999	2	Bracket, Angle Stop
34	44514	1	Rod, Flow Control	70	47441	1	Screen, Spreader
35	23525	2	Brace, Hitch	71	43015	1	Nut, Hex 3/8-16 Thd.
36	23762	1	Support, Shaft	72	43003	1	Lock Washer, 3/8"
					47438	1	Owner's Manual