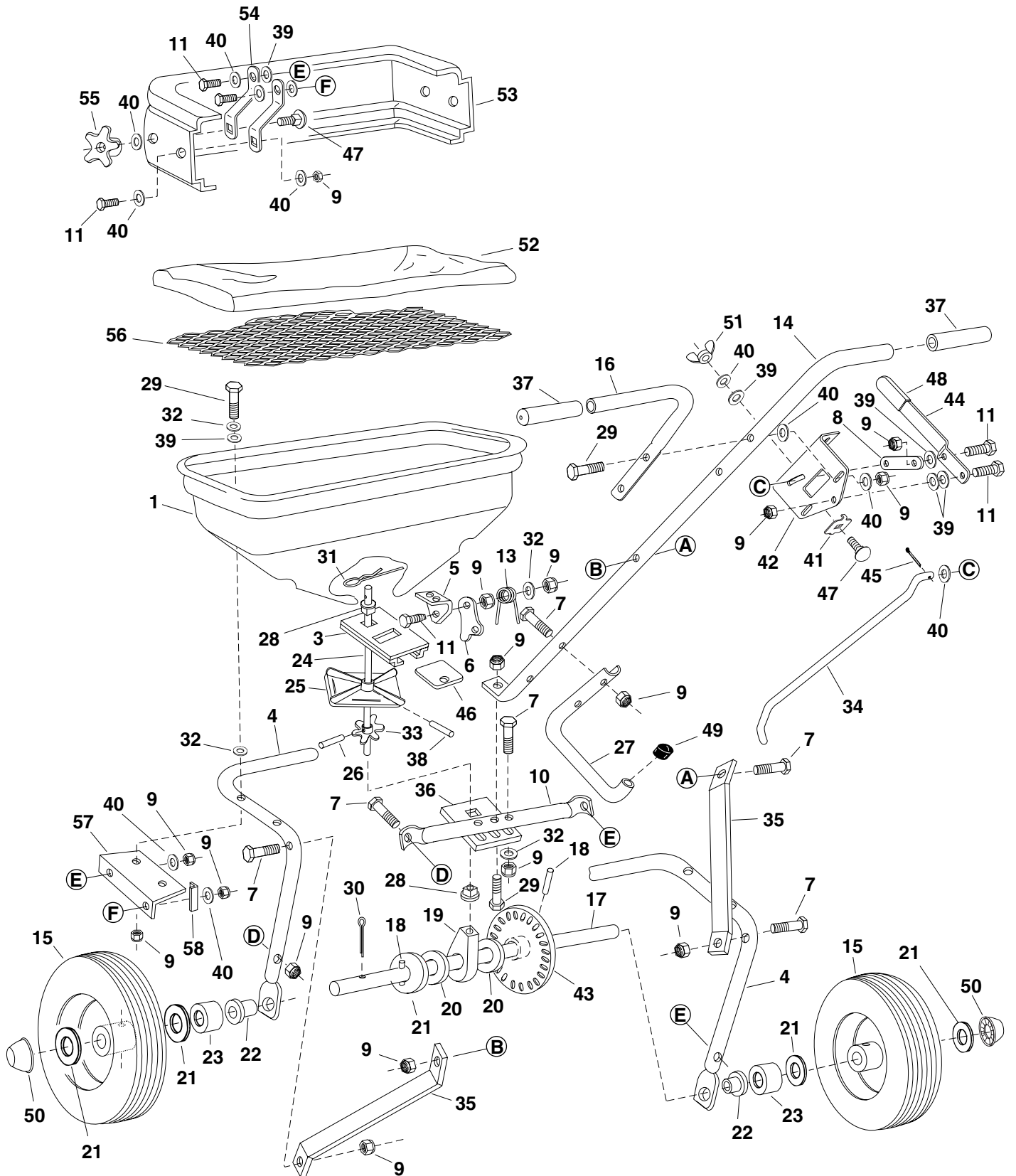


REPAIR PARTS FOR BROADCAST SPREADER MODEL 45-02103-101



REPAIR PARTS FOR BROADCAST SPREADER MODEL 45-02103-101

REF. NO.	PART NO.	QTY.	DESCRIPTION	REF. NO.	PART NO.	QTY.	DESCRIPTION
1	44466	1	Hopper	31	48934	1	Hairpin, Agitator
2	C-9M5732	2	Pop Rivet (not shown)	32	43088	16	Washer, Flat 1/4" Std.
3	62482	1	Ass'y, Guide Closure	33	44468	1	Sprocket - 6 Tooth
4	48842	1	Tube, Frame	34	44514	1	Rod, Flow Control
5	23753	1	Slide Gate Angle Bracket	35	23525	2	Brace, Hitch
6	23758	1	Slide Gate Bracket	36	23780	1	Support, Shaft
7	43648	9	Bolt, Hex 1/4-20 x 1-1/2" Lg.*	37	44482	2	Grip, Handle
8	24857	1	Flow Control Link	38	46055	1	Pin, Spring 1/8" Dia. x 1" Lg.
9	47189	26	Nut, Nylock 1/4-20 Thd. *	39	1543-69	14	Washer, Nylon
10	48841	1	Tube, Crossover	40	R19111116	20	Washer, 5/16 SAE
11	43661	9	Bolt, Hex 1/4-20 x 1" Lg.*	41	24858	1	Stop, Adjustable
13	44566	1	Spring, Torsion	42	24855	1	Bracket, Flow Control Mount
14	44590	1	Tube, Handle (Long)	43	48888	1	Gear
15	48954	2	Wheel	44	24856	1	Flow Control Arm
16	44589	1	Tube, Handle (Short)	45	44101	1	Cotter Pin 3/32" x 3/4" Lg.*
17	25067	1	Shaft, Axle	46	23533	1	Plate, Closure
18	44665	2	Pin, Spring 5/32" Dia. x 1-1/4" Lg.	47	44950	3	Bolt, Carriage 1/4-20 x 3/4" Lg.
19	48916	1	Bushing, Axle Shaft	48	43848	1	Grip, Flow Control Arm
20	44125	4	Washer, Shim 5/8" I.D.	49	44481	1	Cap, Vinyl
21	R19212016	5	Washer, Flat 5/8" I.D.	50	48499	2	Hub Cap
22	741-0249	2	Bearing, Flange	51	47141	1	Nylon Wing Nut, 1/4-20
23	48857	2	Tube, Spacer	52	43962	1	Vinyl Hopper Cover
24	47437	1	Shaft, Sprocket	53	46119	1	Spreader Shield
25	04367	1	Spreader Plate	54	23998	4	Shield Swivel Bracket
26	43850	1	Pin, Spring 1/8" Dia. x 5/8" Lg.	55	46120	2	Plastic Knob
27	44587	1	Tube, Leg Stand	56	47441	1	Screen
28	44285	2	Bushing, Delrin 3/8" I.D.	57	24125	2	Shield Bracket
29	1509-69	9	Bolt, Hex 1/4-20 x 1-3/4" Lg.*	58	23999	2	Angle Stop Bracket
30	47063	1	Pin, Cotter 5/32" x 2"		49120	1	Owner's Manual

*Purchase common hardware locally.