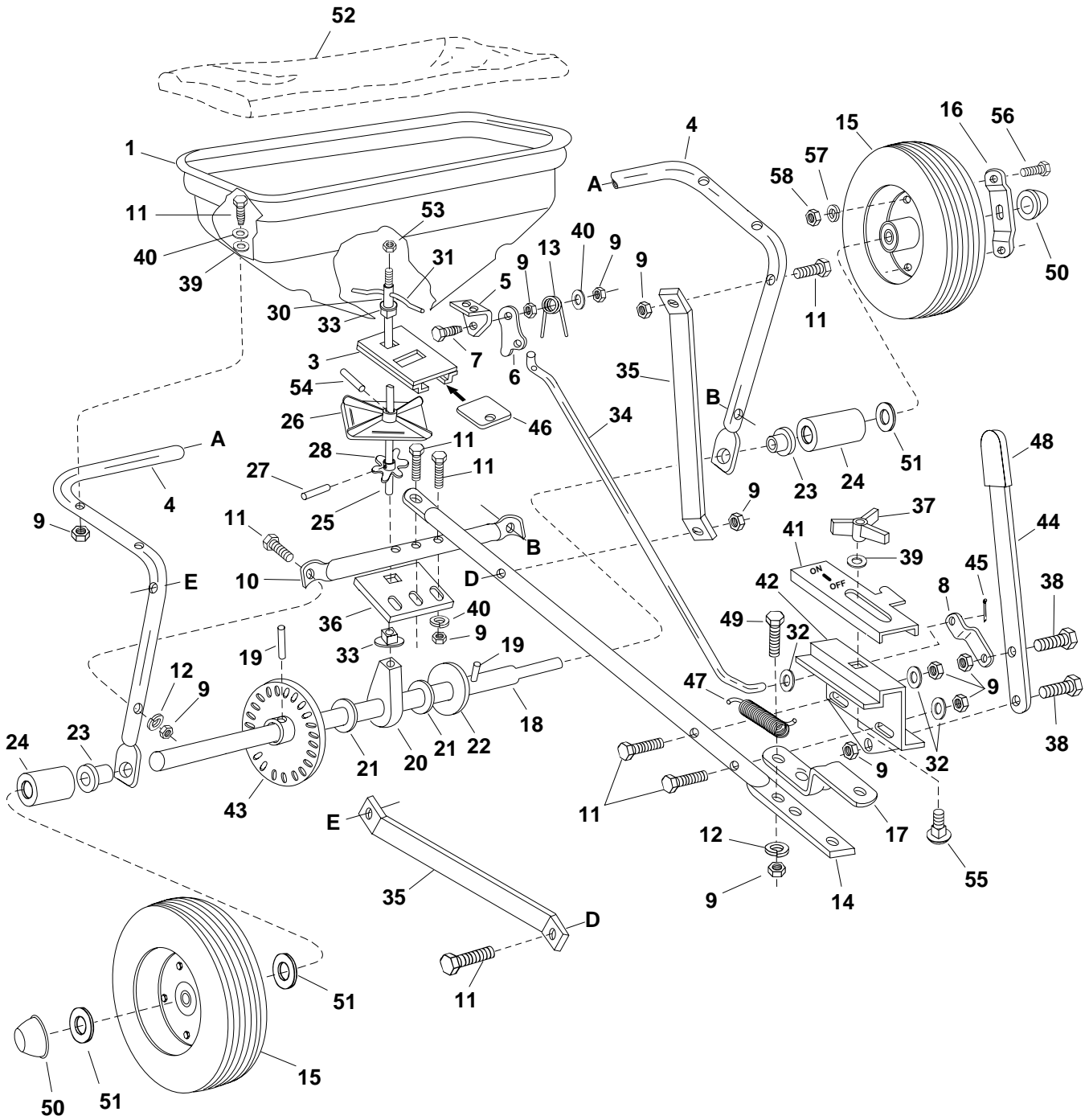


# REPAIR PARTS FOR BROADCAST SPREADER MODEL 45-02151



## REPAIR PARTS LIST FOR BROADCAST SPREADER MODEL 45-02151

REF. NO.	PART NO.	QTY.	DESCRIPTION	REF. NO.	PART NO.	QTY.	DESCRIPTION
1	44624	1	Hopper	30	23766	1	Sleeve, Agitator
2	43882	4	Rivet, Stainless	31	43878	1	Wire, Agitator
3	62482	1	Ass'y, Guide Closure	32	R19111116	3	Washer, 5/16 SAE
4	44588	1	Tube, Frame	33	44285	2	Bushing, Delrin
5	23753	1	Slide Gate Angle Bracket	34	44469	1	Rod, Flow Control
6	23758	1	Slide Gate Bracket	35	23525	2	Brace, Hitch
7	43012	1	Bolt, Hex 1/4-20 x 3/4" Lg.*	36	23780	1	Support, Shaft
8	23756	1	Flow Control Link	37	43849	1	Knob, Plastic 1/4-20 Thd.
9	43013	22	Nut, Hex Lock 1/4-20 Thd. *	38	43866	2	Bolt, Hex 1/4-20 x 5/8" Lg. Gr. 5
10	44591	1	Tube, Crossover	39	1543-069	7	Washer, Nylon
11	43648	16	Bolt, Hex 1/4-20 x 1-1/2" Lg.	40	43088	12	Washer, Flat 1/4" Std.
12	43177	4	Washer, Lock 1/4" I.D.*	41	23755	1	Gage, Flow Control
13	44566	1	Spring, Torsion	42	23754	1	Bracket, Flow Control Mount
14	44586	1	Tube, Hitch	43	62798	1	Gear Ass'y.
15	46503	2	Wheel Ass'y.	44	23757	1	Flow Control Arm
16	24116	1	Plate, Drive Wheel	45	44101	1	Cotter Pin 3/32" x 3/4" Lg.*
17	23818	1	Bracket, Hitch	46	23533	1	Plate, Closure
18	23781	1	Shaft, Axle	47	43000	1	Spring, Extension
19	44665	2	Pin, Spring 5/32" Dia. x 1-1/4" Lg.	48	43848	1	Grip, Flow Control Arm
20	44672	1	Bushing, Axle Shaft	49	43661	2	Bolt, Hex 1/4-20 x 1" Lg. *
21	44137	4	Washer, Shim 1/2"	50	44663	2	Hub Cap
22	R19171616	1	Washer, Flat 1/2"	51	R19171616	3	Washer, Flat 1/2"
23	741-0248	2	Bearing, Flange	52	44619	1	Optional Vinyl Hopper Cover
24	46501	2	Tube, Spacer	53	43082	1	Nut, Hex Lock 3/8-16 Thd.*
25	23524	1	Shaft, Sprocket	54	46055	1	Pin, Spring 1/8" Dia. x 1" Lg.
26	04367	1	Spreader Plate	55	44950	1	Bolt, Carriage 1/4-20 x 3/4" Lg.
27	43850	1	Pin, Spring 1/8" Dia. x 5/8" Lg.	56	43182	2	Bolt, Hex 5/16-18 x 3/4" Lg.
28	44468	1	Sprocket, 6 Tooth	57	43086	2	Lock Washer, 5/16"
29	C-9M5732	2	Pop Rivet	58	43083	2	Nut, Hex 5/16-18 Thd.
					46505	1	Owner's Manual

\*Purchase common hardware locally.