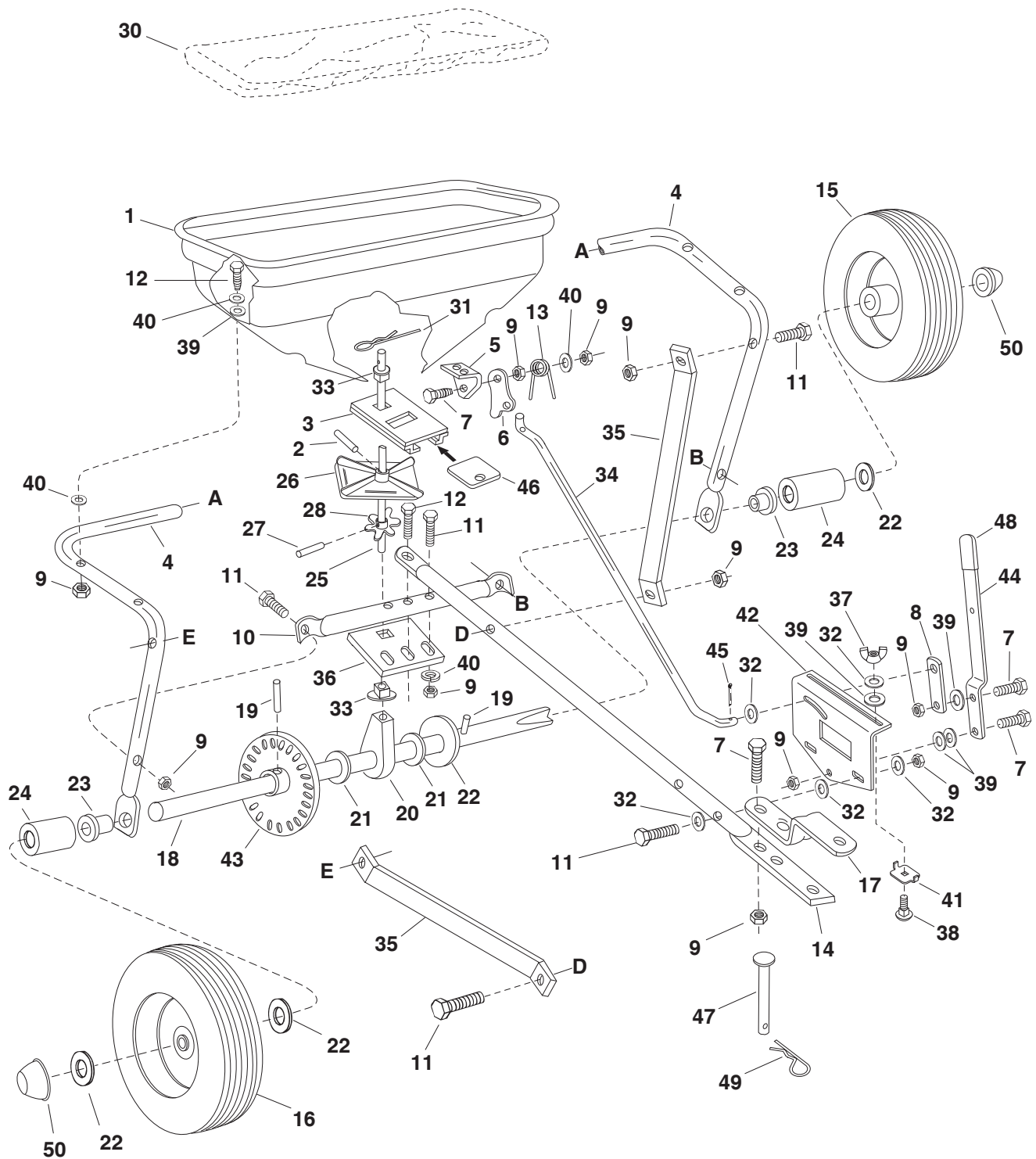


# REPAIR PARTS FOR BROADCAST SPREADER MODEL 45-02153



## REPAIR PARTS FOR BROADCAST SPREADER MODEL 45-02153

REF	PART NO.	QTY	DESCRIPTION	REF	PART NO.	QTY	DESCRIPTION
1	44624	1	Hopper	27	43850	1	Pin, Spring 1/8" Dia. x 5/8" Lg.
2	46055	1	Pin, Spring 1/8" Dia. x 1" Lg.	28	44468	1	Sprocket, 6 Tooth
3	62482	1	Ass'y, Guide Closure	29	C-9M5732	2	Pop Rivet (not shown)
4	40469	1	Tube, Frame	30	40883	1	Hopper Cover (Optional-not included)
5	23753	1	Slide Gate Angle Bracket	31	48934	1	Hairpin Agitator
6	23758	1	Slide Gate Bracket	32	R19111116	9	Washer, 5/16 SAE
7	43661	5	Bolt, Hex 1/4-20 x 1" Lg. *	33	44285	2	Bushing, Delrin
8	24857	1	Flow Control Link	34	44469	1	Rod, Flow Control
9	47189	22	Nylock Nut, 1/4-20	35	23525	2	Brace, Hitch
10	44591	1	Tube, Crossover	36	23780	1	Support, Shaft
11	43648	9	Bolt, Hex 1/4-20 x 1-1/2" Lg.	37	47141	1	Nylon Wing Nut, 1/4-20 Thd.
12	1509-69	7	Bolt, Hex 1/4-20 x 1-3/4"	38	44950	1	Bolt, Carriage 1/4-20 x 3/4" Lg.
13	44566	1	Spring, Torsion	39	1543-69	10	Washer, Nylon
14	44586	1	Tube, Hitch	40	43088	16	Washer, Flat 1/4" Std.
15	48865	1	Drive Wheel	41	24858	1	Adjustable Stop
16	46503	1	Wheel	42	24855	1	Bracket, Flow Control Mount
17	23687	1	Bracket, Hitch	43	46885	1	Gear, Plastic
18	23781	1	Shaft, Axle	44	24859	1	Flow Control Arm
19	44665	2	Pin, Spring 5/32" Dia. x 1-1/4" Lg.	45	44101	1	Cotter Pin 3/32" x 3/4" Lg.*
20	44672	1	Bushing, Axle Shaft	46	23533	1	Plate, Closure
21	44137	6	Washer, Shim 1/2"	47	47623	1	Hitch Pin
22	R19171616	4	Washer, Flat 1/2"	48	43848	1	Grip, Flow Control Arm
23	47963	2	Bearing, Flange	49	43343	1	Hair Cotter Pin, #4 1/8"
24	46501	2	Tube, Spacer	50	44663	2	Hub Cap
25	25305	1	Shaft, Sprocket		40471	1	Owner's Manual
26	04367	1	Spreader Plate				

**SpeedEPart** *the fastest way to purchase parts* [www.speedepart.com](http://www.speedepart.com)