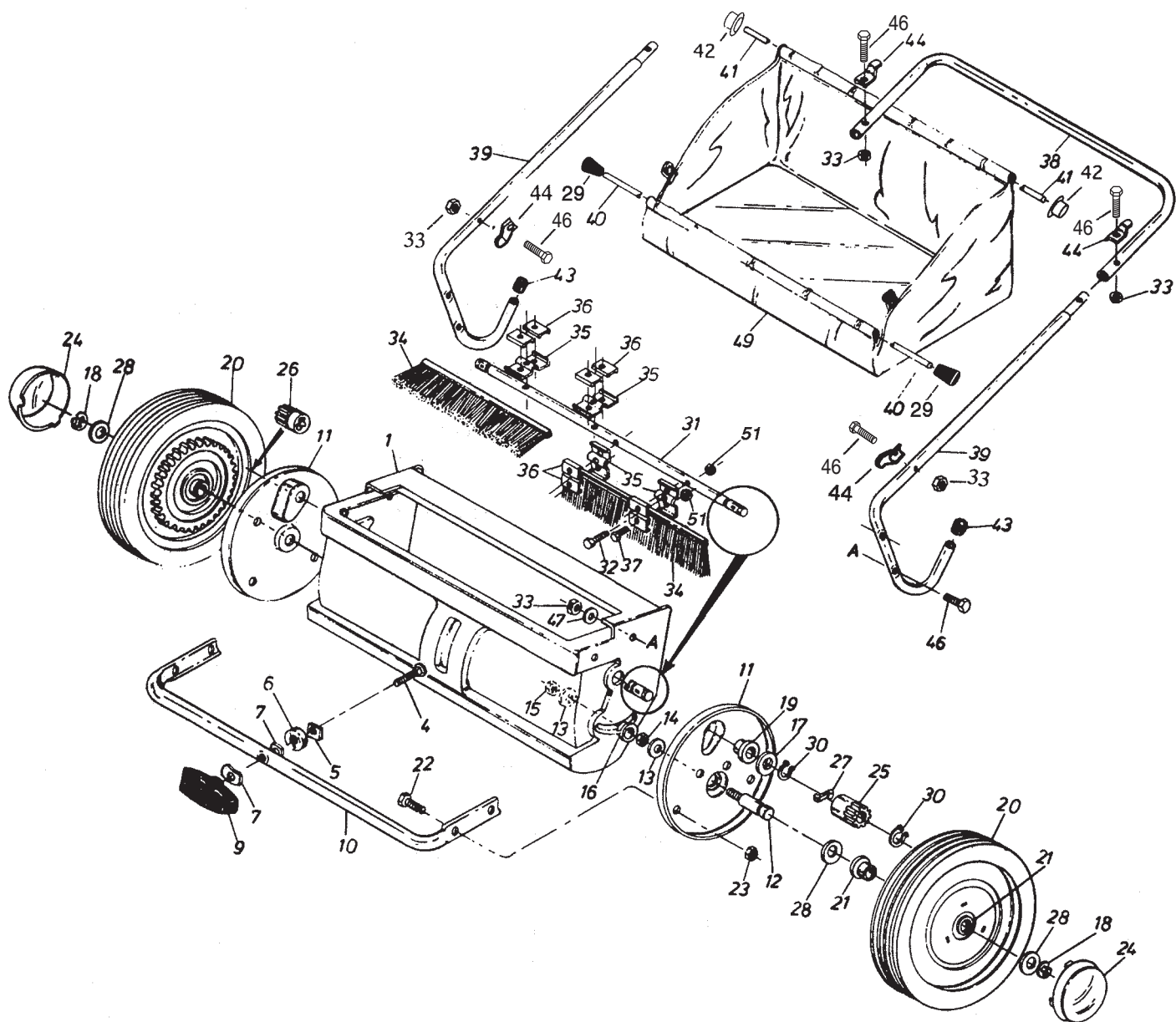


REPAIR PARTS FOR 45-02182 26" LEAF/LAWNSWEEPER



REPAIR PARTS FOR 45-02182 26" LEAF/LAWNSWEEPER

| REF. NO. | PART NO. | QTY. | DESCRIPTION | REF. NO. | PART NO. | QTY. | DESCRIPTION |
|----------|----------|------|---------------------------------|----------|----------|------|--------------------------------|
| 1 | 44600 | 1 | Housing | 28 | 44125 | 4 | Flat Washer, .62 x 1" |
| 4 | 43681 | 1 | Bolt, Carriage 5/16-18 x 1-1/2" | 29 | 44687 | 2 | Plastic Cap, .207 |
| 5 | 44680 | 1 | Washer, Square Nylon | 30 | 1650-21 | 4 | Retaining Ring, .594 |
| 6 | 1543-69 | 1 | Washer, Nylon 21/64 | 31 | 23782 | 1 | Brush Shaft |
| 7 | 44695 | 2 | Washer, Bowed | 32 | 43661 | 4 | Bolt, Hex 1/4-20 x 1" |
| 9 | 43720 | 1 | Knob, 5/16" | 33 | 47189 | 8 | Nylock Nut, 1/4-20 |
| 10 | 44946 | 1 | Height Adjustment Tube | 34 | 44681 | 4 | Brush, 13-1/4" |
| 11 | 23866 | 2 | Dust Cover | 35 | 23580 | 4 | Brush Retainer, Double Bracket |
| 12 | 44598 | 2 | Axle | 36 | 23581 | 8 | Brush Retainer, Single Clip |
| 13 | 43070 | 4 | Washer, 3/8" | 37 | 43012 | 8 | Bolt, Hex 1/4" x 3/4" |
| 14 | 44684 | 2 | Jam Nut, 3/8-24 | 38 | 44603 | 1 | Upper Handle Tube |
| 15 | 1038 | 2 | Nylock Jam Nut, 3/8-24 | 39 | 44595 | 2 | Handle Leg Tube |
| 16 | 44685 | 2 | Shoulder Spacer | 40 | 44683 | 1 | Bag Rod, 1/4" x 25-1/2" |
| 17 | 40007 | 2 | Washer, .596 x 1.125 x .025 | 41 | 44682 | 1 | Bag Rod, 1/4" x 28-1/2" |
| 18 | 716-0106 | 2 | "E" Ring, 5/8" | 42 | 726-0106 | 2 | Palnut, 1/4" |
| 19 | 44679 | 2 | Flange Bearing, .59 | 43 | 44688 | 2 | Plastic Cap, 3/4" |
| 20 | 49946 | 2 | Wheel Assembly | 44 | 44696 | 4 | Bag, Rod Clip |
| 21 | 741-0249 | 4 | Flange Bearing, .63 | 46 | 1509-90 | 8 | Bolt, Hex 1/4-20 x 1-1/4" |
| 22 | 43182 | 4 | Bolt, Hex 5/16-18 x 3/4" | 47 | 43088 | 4 | Washer, 1/4" |
| 23 | 47810 | 4 | Nylock Nut, 5/16-18 | 49 | 44694 | 1 | Hopper Bag |
| 24 | 2674-32 | 2 | Black Hub Cap | 51 | 47189 | 12 | Nylock Nut, 1/4-20 |
| 25 | 48651 | 1 | Pinion, L.H. | | 40231 | 1 | Owner's Manual |
| 26 | 48652 | 1 | Pinion, R.H. | | | | |
| 27 | 47046 | 2 | Pin, Drive | | | | |

SpeedPart *the fastest way to purchase parts* www.speedpart.com