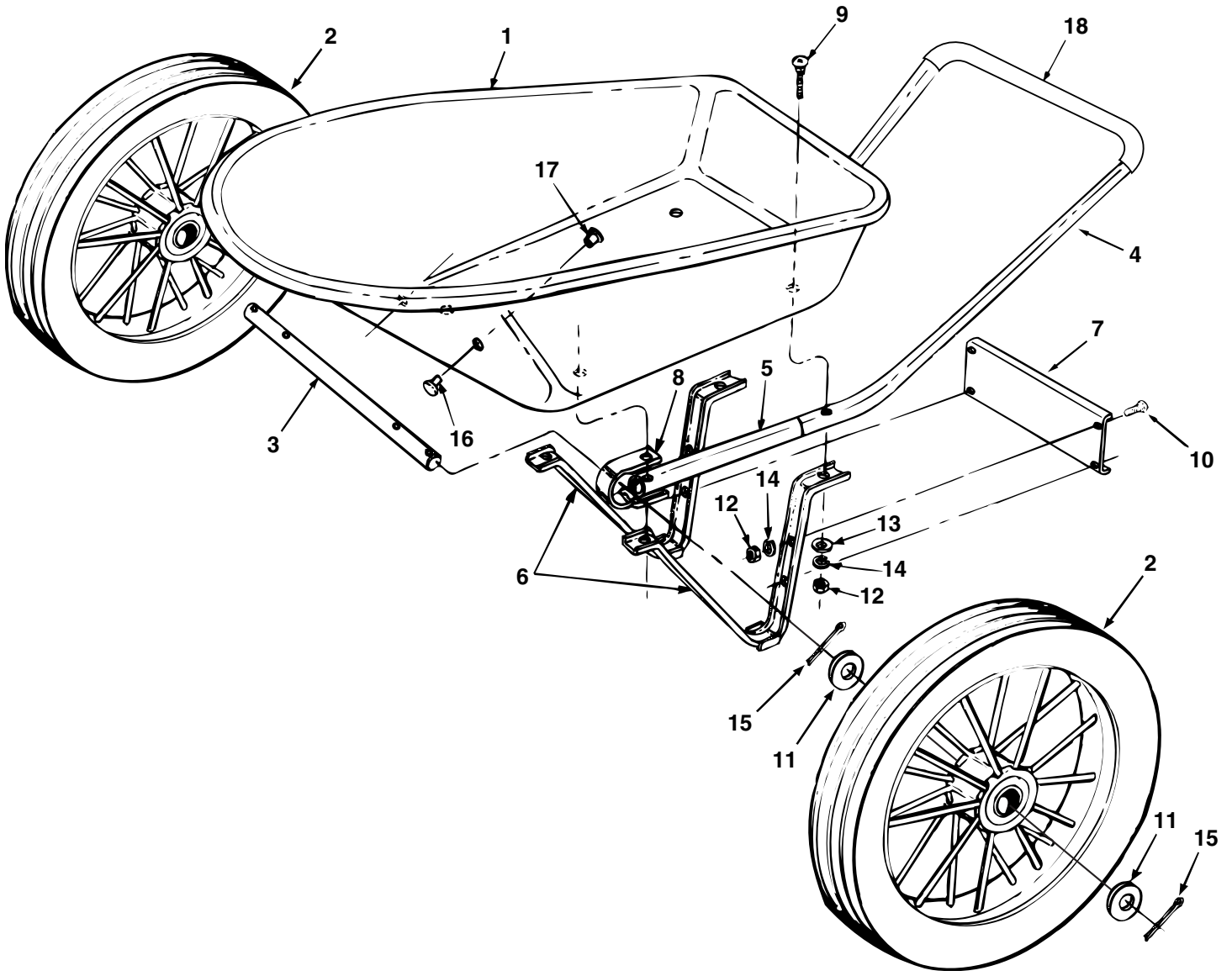


MODELS 45-02262 & 490-900-0014 POLY LAWN CART



REF. NO.	PART NO.	QTY.	DESCRIPTION	REF. NO.	PART NO.	QTY.	DESCRIPTION
1	44966	1	Poly Tray, 6 Cu. Ft. (45-02262)	10	43182	4	Hex Bolt, 5/16-18 x 3/4"
	44201	1	Poly Tray, 6.5 Cu. Ft. (490-900-0014)	11	43009	4	Flat Washer, 1.59 O.D.
2	48312	2	Wheel, 20"	12	43083	8	Hex Nut, 5/16-18
3	24921	1	Axle	13	43081	4	Flat Washer, 5/16"
4	44943	1	Upper Handle	14	43086	8	Lock Washer, 5/16"
5	44944	2	Handle Extension	15	43010	4	Cotter Pin, 1/8" x 1-1/4"
6	44192	2	Channel Leg	16	45093	2	Ratchet Rivet (Male)
7	813139	1	Leg Brace	17	45094	2	Ratchet Rivet (Female)
8	23878	2	U-Clamp	18	48836	1	Foam Grip (490-900-0014)
9	46324	4	Carriage Bolt, 5/16-18 x 2-1/2"		49162	1	Owner's Manual

*Purchase Common Hardware Locally.