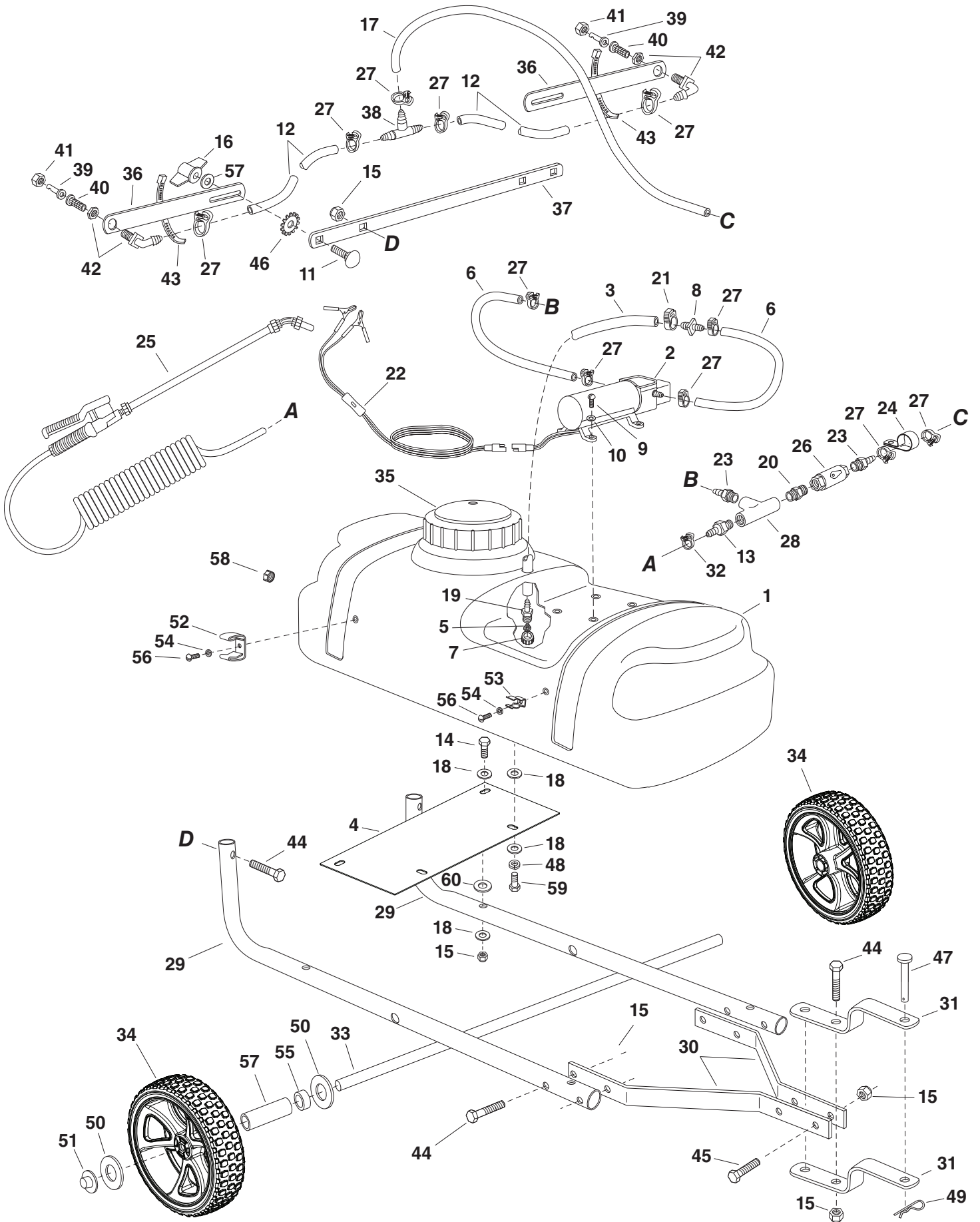


# 45-02926



## 45-02926

REF. NO.	PART NO.	QTY.	DESCRIPTION	REF. NO.	PART NO.	QTY.	DESCRIPTION
1	41667	1	Tank (15 Gal.)	32	42767	1	Clamp, Coiled Hose
2	42701	1	Pump and Motor	33	24584	1	Axle, 1/2"
3	45022	1	Hose, 1/2" ID (14" Lg.)	34	41863	2	Wheel
4	27778	2	Mounting Plate	35	46700	1	Lid
5	45024	1	Strainer, Cap Type 1"	36	24122	2	Boom Bar
6	47002	2	Hose, 3/8" ID (10" Lg.)	37	24585	1	Bracket, Boom Mount
7	45032	1	Nut, Swivel 3/4" Garden Hose	38	47394	1	Tee, Plastic 3/8" Hose
8	47005	1	Reducer, Hose Mender 1/2" x 3/8"	39	45028	2	Nozzle, SS Floodjet
9	47078	4	Screw, Pan Hd. 10-24 x 3/4" Lg.	40	45029	2	Strainer, Screen Type
10	43910	4	Washer, Flat #10 SAE	41	45037	2	Nut, Screen Body
11	43682	2	Bolt, Carriage 5/16-18 x 1-1/4"	42	47396	2	Elbow, Plastic 11/16" Thd.
12	47392	2	Hose, 3/8" ID (21" Lg.)	43	726-0178	2	Nylon Tie
13	47414	1	Adapter, 1/4" NPT x 1/4" Barb	44	44180	8	Bolt, Hex 5/16-18 x 2"
14	43084	4	Bolt, Hex 5/16-18 x 1-3/4"	45	43840	2	Bolt, Hex 5/16-18 x 1-1/4"
15	47810	14	Nut, Hex 5/16-18 (Nylock)	46	44732	2	Washer, Tooth Lock 5/16"
16	712-0421	2	Knob	47	47623	1	Hitch Pin
17	47421	1	Hose, 3/8" ID (28" Lg.)	48	43086	8	Lock Washer, 5/16"
18	43081	22	Washer, 5/16" Std. Wrt.	49	43343	1	Pin, Hair Cotter #4 (1/8")
19	46276	1	Adapter, 3/4" GH x 1/2" Barb	50	R19171616	4	Washer, 17/32" x 1"
20	47411	1	Nipple (nylon) 1/4"	51	44166	2	Hub Cap (1/2" Palnut)
21	45025	1	Clamp, 1/2"	52	47397	1	Clip (Large), Spray Gun
22	42702	1	Wiring Harness	53	45180	1	Clip (Small), Spray Gun
23	47412	2	Adapter (nylon) 1/4" x 3/8"	54	736-0722	2	Lock Washer, #10
24	47413	1	Clamp, Conduit	55	27231	2	Spacer
25	65310	1	Spray Gun	56	46677	2	Screw, Phillips Hd. #10-24 x 3/8"
26	47416	1	Valve, Nylon 1/4"	57	46578	2	Spacer
27	41486	11	Clamp, 3/8" (Schedule-E)	58	48719	1	Drain Cap
28	47415	1	Tee, Nylon 1/4" NPT.	59	43182	8	Hex Bolt, 5/16-18 x 3/4"
29	48296	2	Frame Tube	60	736-0231	4	Washer, 0.344 x 1.125 x .12"
30	24860	2	Hitch Arm	61	28077	1	Owners Manual
31	23014	2	Hitch Bracket				

**SpeedPart** *the fastest way to purchase parts* [www.speedepart.com](http://www.speedepart.com)