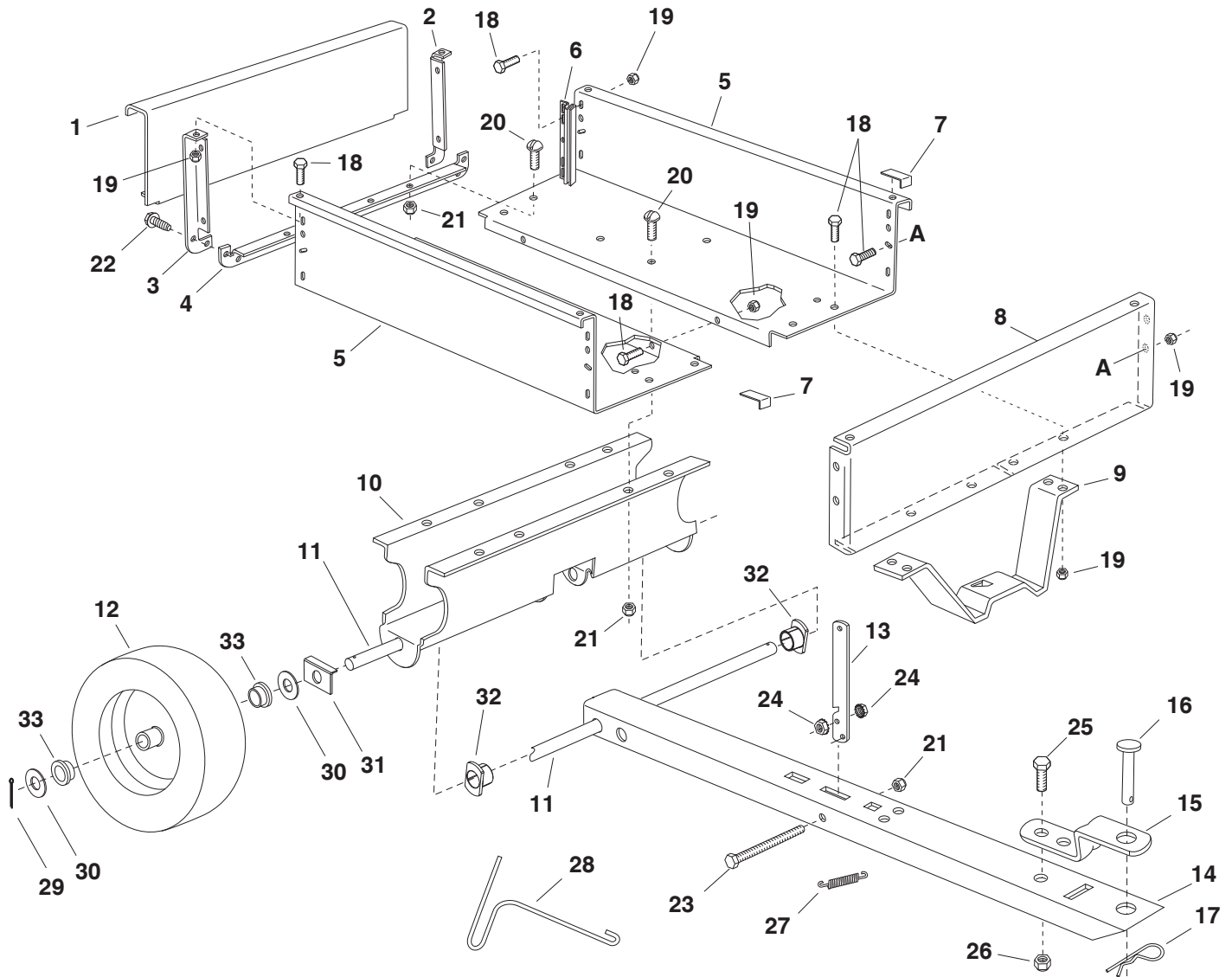


45-03033



REF.	PART NO.	QTY.	DESCRIPTION	REF.	PART NO.	QTY.	DESCRIPTION
1	24907	1	Tailgate	18	43012	18	Hex Bolt, 1/4-20 x 3/4"
2	24143	1	Left Rear Angle	19	47189	18	Nylock Nut, 1/4-20
3	24144	1	Right Rear Angle	20	43814	12	Slit Truss Hd. Bolt, 5/16-18 x 3/4"
4	24142	1	Lower Rear Angle	21	47810	13	Nylock Nut, 5/16-18
5	23912	2	Cart Body	22	47630	4	Bolt, Self Tapping 5/16-18 x 3/4"
6	23548	2	Guide, Tailgate	23	47407	1	Hex Bolt, 5/16-18 x 4"
7	48789	2	Cap, Front Corner	24	46980	2	Hex Nut, 5/16-18 (SEMS)
8	24906	1	Front Panel	25	43001	1	Hex Bolt, 3/8-16 x 1" Lg.
9	24497	1	Latch Stand Bracket	26	HA21362	1	Nylock Nut, 3/8-16*
10	25996	1	Wheel Support	27	47408	1	Extension Spring
11	24908	1	Axle	28	47622	1	Spring Puller Tool
12	40880	2	Wheel	29	43010	2	Cotter Pin, 1/8" x 1-1/4"
13	24498	1	Latch Lock Lever	30	R19212016	4	Washer, .656" x 1.25" x .059"
14	25995	1	Draw Bar Tongue	31	25910	2	Axle Clip
15	23014	1	Hitch Bracket	32	40315	2	Flange Bearing
16	47623	1	Hitch Pin	33	40880 BRG	4	Wheel Bearing (included in wheel)
17	43343	1	Hair Cotter Pin, 1/8" (#4)		42592	1	Owner's Manual