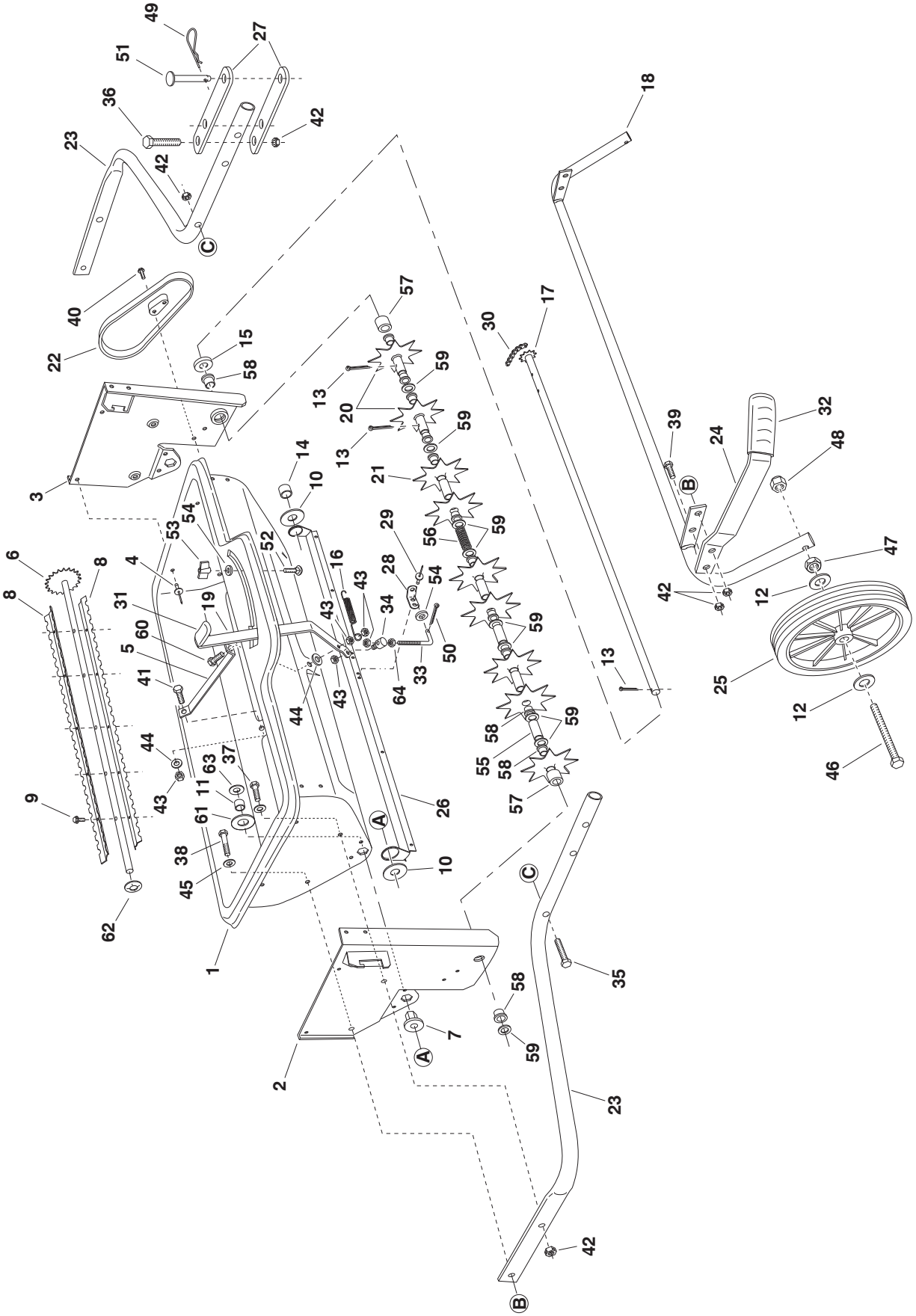


# PARTS FOR 32" POLY SPIKER/SPREADER MODEL 45-0309-062



# PARTS FOR 32" POLY SPIKER/SPREADER MODEL 45-0309-062

REF. NO.	PART NO.	QTY	DESCRIPTION	REF. NO.	PART NO.	QTY	DESCRIPTION
1	47931	1	Hopper	34	47969	1	Ferrule, 5/16" Thread x 1/4" Hole
2	24736	1	Endplate, Right Hand	35	43224	3	Bolt, Hex 5/16" x 2-1/4"
3	24735	1	Endplate, Left Hand	36	44180	2	Bolt, Hex 5/16" x 2"
4	48418	12	Rivet, Pop	37	43085	2	Bolt, Hex 5/16" x 1-1/2"
5	24747	1	Brace, Center	38	43084	2	Bolt, Hex 5/16" x 1-3/4"
6	64104	1	Assembly, Agitator Shaft	39	43063	1	Bolt, Hex 5/16" x 1"
7	47963	2	Bearing, Hex Flange	40	44731	2	Screw, Self Tapping 1/4" x 1/2"
8	24739	2	Blade, Agitator	41	43012	1	Bolt, Hex 1/4-20 x 3/4"
9	47978	10	Screw, Hex Washer Hd, #8-32	42	47810	10	Nut, Nylock Hex 5/16"
10	R19172410	2	Washer, 17/32" x 1-1/2" x 10 Ga.	43	47189	5	Nut, Nylock Hex 1/4"
11	46838	2	Spacer, .8" I.D.x1" O.D. x .50" Lg.	44	43088	2	Washer, Flat 1/4"
12	R19171616	4	Washer, 17/32" x 1" x 16 Ga.	45	43081	4	Washer, Flat 5/16"
13	43093	3	Pin, Cotter 1/8" x 1-1/2"	46	45100	2	Bolt, Hex 1/2" x 4" Full Thread
14	45133	1	Spacer, .5" I.D. x1" O.D. x .59" Lg.	47	43019	2	Nut, Hex Jam 1/2"
15	23520	1	Spacer, .66" I.D.x1.25" O.D. x .25"	48	48115	2	Nut, Nylock Hex Jam 1/2"
16	47962	1	Spring, Flow Plate	49	43343	1	Pin, Hair Cotter #4 (1/8")
17	64106	1	Assembly, Spiker Shaft	50	44101	1	Pin, Cotter 3/32" x 3/4"
18	64107	1	Assembly, Transport Tube	51	47623	1	Pin, Flat Head Hitch, 3/8" Dia.
19	24743	1	Lever, Flow Control	52	44215	1	Bolt, Carriage 5/16" x 1-3/4"
20	63956	2	Drive Disk Assembly	53	712-0421	1	Nut, Plastic Wing 5/16"
21	24332	7	Disk, Spike (7")	54	1543-69	2	Washer, Nylon 21/64"
22	47953	1	Cover, Chain	55	46524	5	Spacer Tube, Long
23	47944	2	Tube, Hitch	56	47777	1	Spring, Compression
24	24746	1	Lift, Handle	57	46497	2	Spacer Tube, Short
25	47961	2	Wheel, 10" x 1-5/8"	58	741-0249	13	Bearing, Flanged PV80 .63 I.D.
26	24741	1	Plate, Flow	59	R19212016	10	Washer, Flat 5/8" (21/32" x 1-1/4")
27	23981	2	Bracket, Hitch	60	1509-90	1	Bolt, Hex 1/4-20 x 1-1/4"
28	24539	1	Bracket, Feed Plate	61	1540-31	2	Washer, .78" x 1.25" x .062"
29	41998	2	Rivet, Pop 5/32	62	46557	1	Push Nut, 1/2"
30	47960	1	Chain with Connector	63	44137	5	Washer, Flat .518 x 1 x .02
31	43848	1	Grip, Control Arm .187" x .75"	64	43178	1	Nut, Hex 1/4"
32	43943	1	Grip, Height Adjustment 32"/38"				Owner's Manual
33	47959	1	Link, Flow Control				