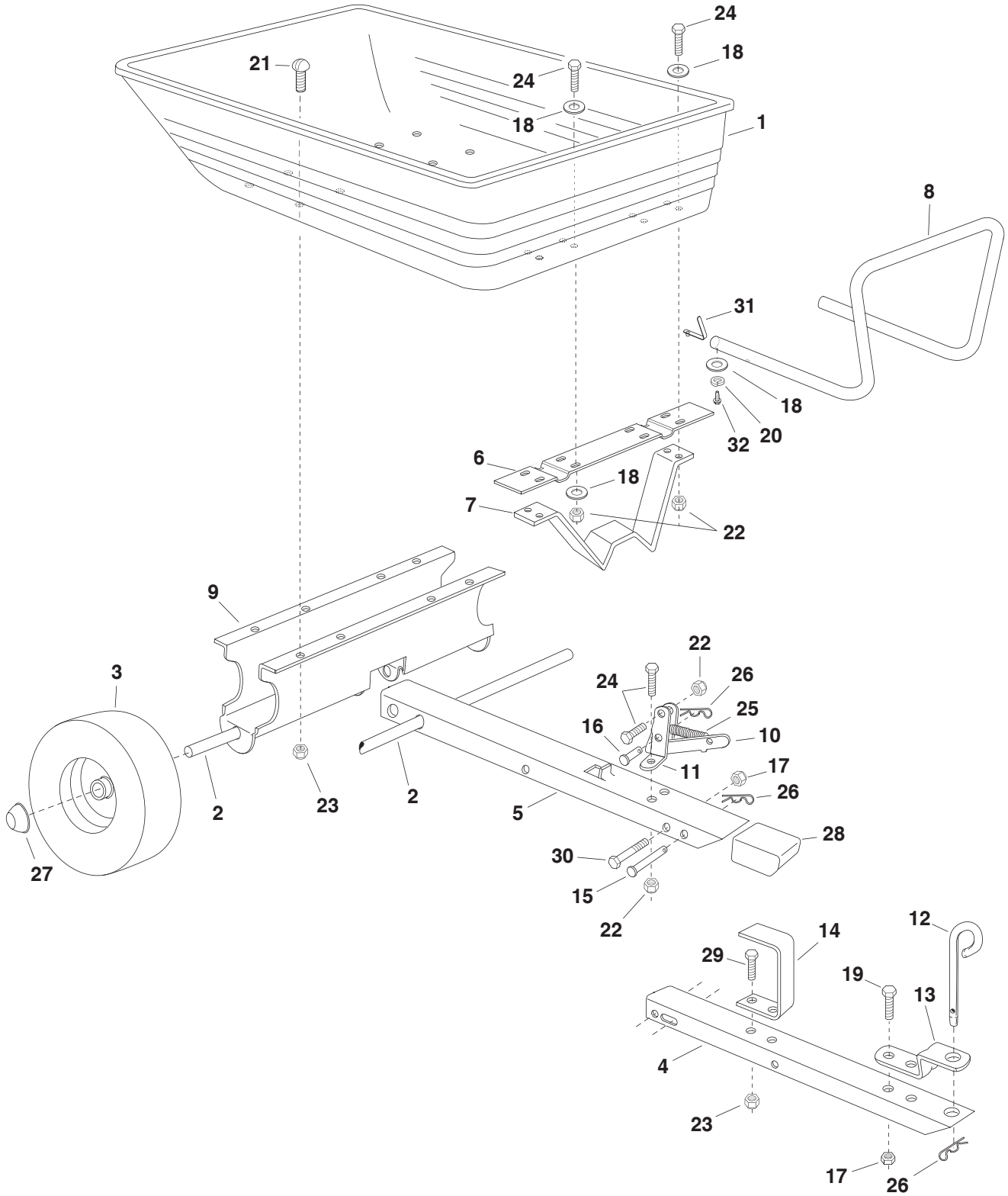


# REPAIR PARTS FOR POLY CART MODEL 45-0345-062



# REPAIR PARTS FOR POLY CART MODEL 45-0345-062

REF. NO.	PART NO.	QTY.	DESCRIPTION
1	48791	1	Poly Tray
2	24908	1	Axle
3	48497	2	Wheel Assembly
4	24392	1	Tongue, Front
5	24391	1	Tongue, Rear
6	25274	1	Latch Stand Plate
7	23297	1	Latch Stand Bracket
8	48955	1	Handle Tube
9	25064	1	Wheel Support
10	62020	1	Latch Lock
11	23470	2	Bracket, Latch Mounting
12	23353	1	Hitch Pin
13	23014	1	Hitch Bracket
14	24390	1	Leg Stand Bracket
15	47029	1	Clevis Pin, 3/8" x 4"
16	45091	1	Clevis Pin 3/8" x 1"
17	HA21362	3	Hex Lock Nut (Nylock), 3/8-16 Thread *
18	43088	14	Washer, Flat 1/4" Std. Wrought
19	43001	2	Hex Bolt, 3/8-16 x 1" Lg. *
20	43177	2	Lock Washer, 1/4" *
21	43814	8	Slotted Truss Head Bolt, 5/16-18 x 3/4" Lg.*
22	46978	11	Hex Nut (Nylock), 1/4-20
23	47810	10	Hex Nut (Nylock), 5/16-18
24	43661	11	Hex Bolt, 1/4-20 x 1" *
25	43000	1	Extension Spring
26	43343	3	Hairpin, Cotter 1/8"
27	48499	2	Hub Cap
28	47038	1	Plastic Cap
29	43063	2	Hex Bolt, 5/16-18 x 1" Lg. *
30	43036	1	Hex Bolt, 3/8-16 x 4" Lg. *
31	49166	2	Detent Button
32	48840	2	Screw, 1/4"-20 x 1/2" Thread *
	49167	1	Owner's Manual

\* Purchase Common Hardware Locally

**SpeedPart** *the fastest way to purchase parts* [www.speedepart.com](http://www.speedepart.com)