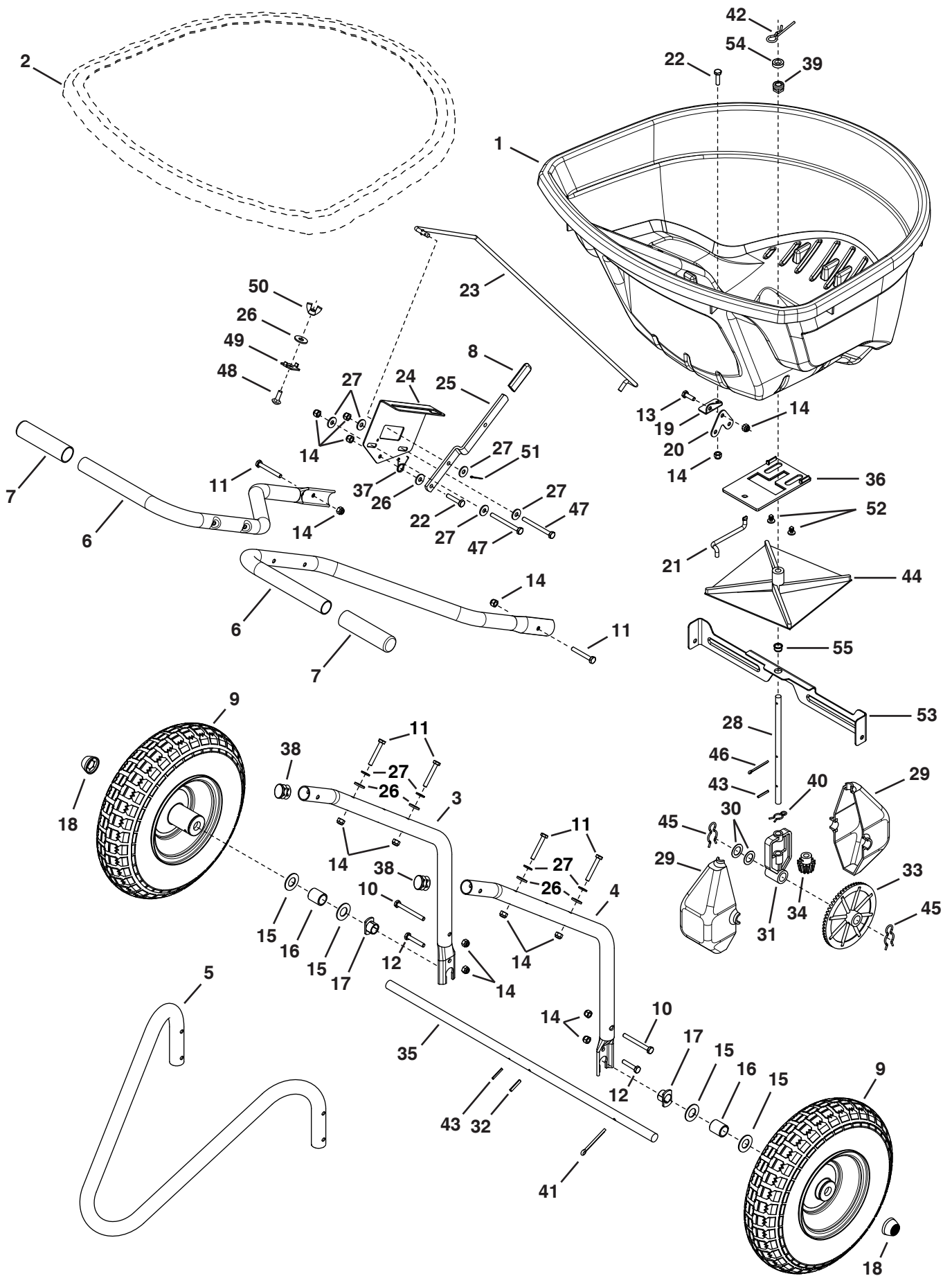


REPAIR PARTS FOR 45-04621 130 LB. PUSH SPREADER



REPAIR PARTS FOR 45-04621 130 LB. PUSH SPREADER

REF	QTY	PART NO	DESCRIPTION	REF	QTY	PART NO	DESCRIPTION
1	1	41084	Hopper	29	2	47212	Housing, Large Gear
2	1	41316	Hopper Cover (Optional)	30	2	44125	Washer, .625 x 1.0 x .03
3	1	42311	Tube, Hopper Support LH	31	1	47204	Yoke, Large
4	1	42312	Tube, Hopper Support RH	32	1	43659	Pin, Spring 3/16 x 1
5	1	42004	Tube, Stand	33	1	47209	Gear, Large
6	2	41924	Tube, T-Handle	34	1	47205	Gear, Small
7	2	44482	Grip, Handle	35	1	26710	Axle
8	1	43848	Grip, Control Arm	36	1	42304	Plate, Flow
9	2	40880	Wheel	37	1	42347	Spring, Torsion
10	2	49870	Bolt, Hex 1/4-20 x 2-1/2	38	2	49449	Plug
11	6	1509-69	Bolt, Hex 1/4-20 x 1-3/4	39	1	44285	Bushing, Hopper Bottom Black
12	2	43648	Bolt, Hex 1/4-20 x 1-1/2	40	1	49898	Clip, Hairpin 5/8
13	1	43012	Bolt, Hex 1/4-20 x 3/4	41	1	46855	Pin, Cotter 3/16" x 2"
14	15	47189	Nut, Hex 1/4-20 Nylock	42	1	48934	Hairpin, Agitator
15	4	R19212016	Washer, .6562 x 1.25 x .0598	43	2	46055	Pin, Spring 1/8 x 1
16	2	48857	Spacer, .64 ID x .84 OD x 1.00	44	1	04367	Spreader Impeller
17	2	40315	Bearing, Flat Sided Flange	45	2	49897	Clip, Hairpin 7/8
18	2	48499B	Hub Cap	46	1	43093	Pin, Cotter 1/8 x 1-1/2
19	1	27276	Bracket, Drive Link Mount	47	2	43796	Bolt, Hex 1/4-20 x 2-3/4
20	1	27277	Bracket, Drive Link	48	1	44950	Bolt, Carriage 1/4-20 x 3/4
21	1	41929	Rod, Drive Link	49	1	24858	Adjustable Stop
22	2	43661	Bolt, Hex 1/4-20 x 1	50	1	47141	Nut, Nylon Wing 1/4-20
23	1	41928	Rod, Flow Control	51	1	44101	Pin, Cotter 3/32 x 3/4
24	1	27322	Bracket, Flow Control	52	2	48402	Plug, 1/4" (Christmas Tree)
25	1	24856	Arm, Flow Control	53	1	27313	Cross Brace
26	6	1543-69	Washer, Nylon .3281 x .75	54	1	23625	Spacer
27	9	43088	Washer, 1/4 Std .312 x .734	55	1	741-0475	Bushing, 3/8" Plastic
28	1	26711	Shaft, Spreader		1	42307	Owner's Manual