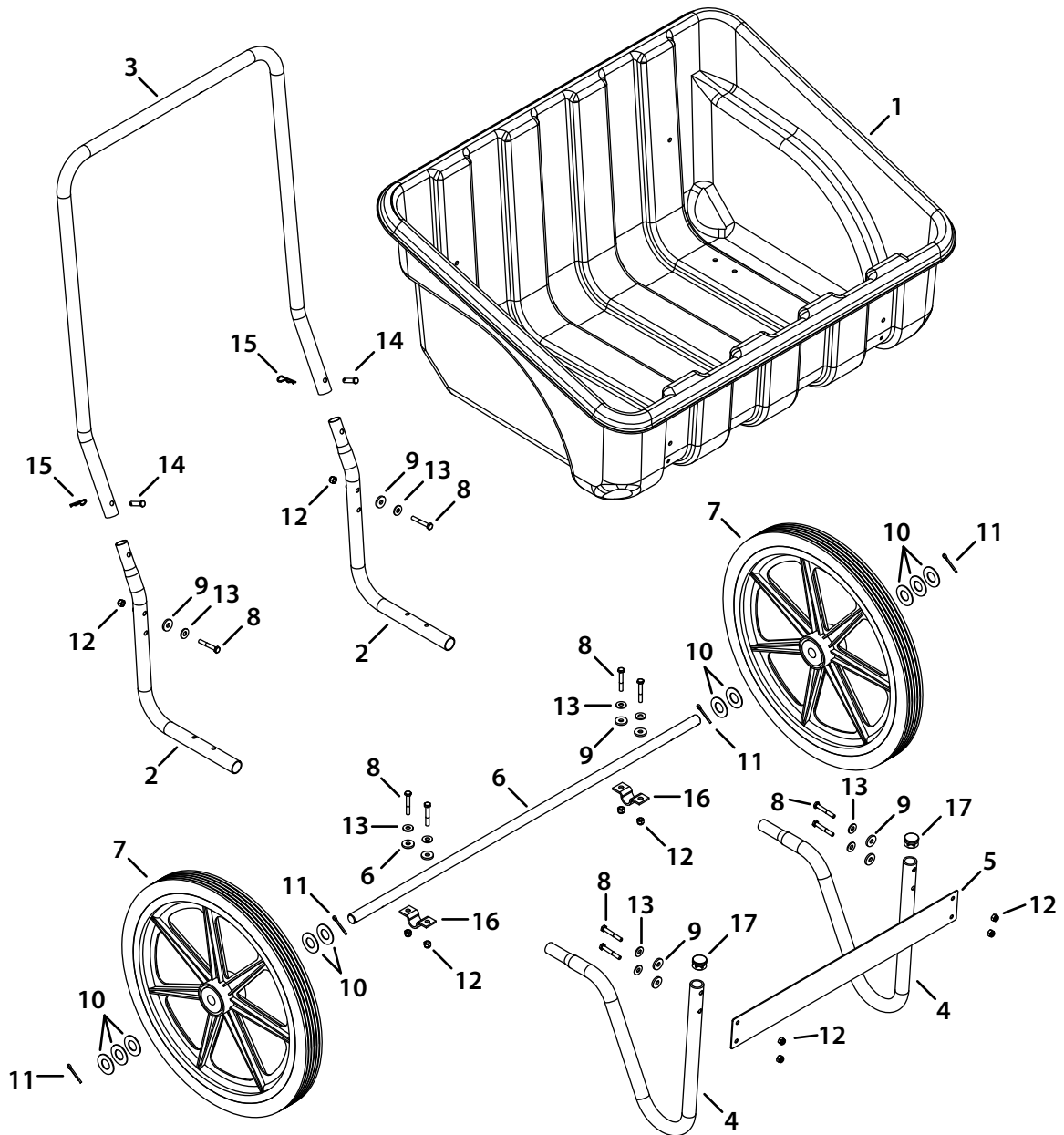


# REPAIR PARTS FOR 45-0528 CARRY-ALL CART



REF.	PART NO.	QTY.	DESCRIPTION	REF.	PART NO.	QTY.	DESCRIPTION
1	42899	1	Tray	10	43009	10	Washer, .785" x 1.57" x .057"
2	42898	2	Lower Handle Tube	11	43010	4	Cotter Pin, 1/8 x 1-1/4"
3	28251	1	Upper Handle Tube	12	47189	11	Nylock Nut, 1/4"
4	28252	2	Leg Tube	13	43088	13	Washer, 1/4"
5	28253	1	Cross Plate	14	43259	2	Clevis Pin, 5/16" x 1-1/4"
6	23916	1	Axle	15	47134	2	Hair Cotter Pin
7	41521	2	Wheel	16	23917	2	Axle Clamp, 3/4"
8	1509-69	10	Hex Bolt, 1/4 x 1-3/4"	17	49449	2	Tube Plug
9	1543-69	10	Nylon Washer		45355	1	Owner's Manual