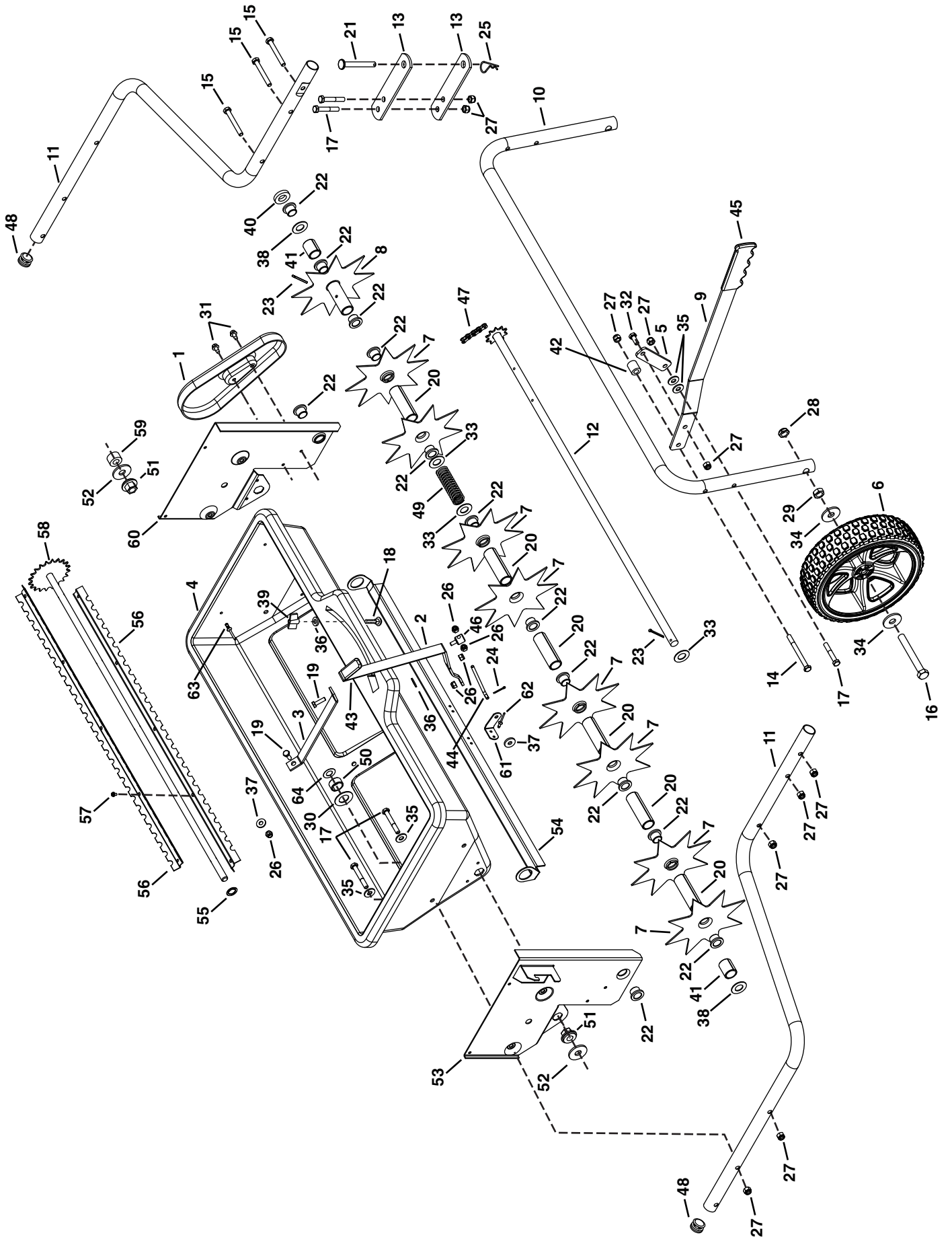


PARTS FOR 32" POLY SPIKER/SPREADER MODEL 45-05431



PARTS FOR 32" POLY SPIKER/SPREADER MODEL 45-05431

REF.	PART NO.	QTY.	DESCRIPTION	REF.	PART NO.	QTY.	DESCRIPTION
1	47953	1	COVER, CHAIN	34	R19171616	4	WASHER, .531 X 1 X .059
2	24743BL1	1	LEVER, FLOW CONTROL	35	43081	6	WASHER, .375 X .875 X .083
3	24747BL1	1	BRACE, CENTER	36	1543-69	2	WASHER, NYLON
4	47931	1	HOPPER	37	43088	2	WASHER, .312 X .734 X .065
5	28557BL1	1	BRACKET, HANDLE BRACE	38	43009	2	WASHER, .785 X 1.57 X .057
6	41863	2	WHEEL	39	712-0421	1	NUT, WING 5/16-18
7	28606	8	DISK, SPIKE	40	23520	1	SPACER, .660ID X .250OD X .25
8	69416	1	SPREADER DRIVE DISK	41	46497	2	SPACER, .800ID X 1.00OD X 1.2
9	28558BL3	1	HANDLE, LIFT	42	24571	2	SPACER, .410ID X .750OD X .84
10	28556BL3	1	TUBE, TRANSPORT	43	43848	1	GRIP, CONTROL ARM
11	45905BL3	2	TUBE, HITCH	44	47959	1	LINK, FLOW CONTROL
12	64106	1	SPIKER SHAFT ASSEMBLY	45	43943	1	GRIP HT. ADJ
13	23981BL1	2	BRACKET, HITCH	46	47969	1	FERRULE, 1/4"
14	47025	2	BOLT, HEX 5/16-18 X 3-1/2	47	47960	1	CHAIN WITH CONNECTOR
15	44292	3	BOLT, HEX 5/16-18 X 2-1/2	48	49449	2	PLUG, 1"OD TUBE
16	45100	2	BOLT, HEX 1/2-13 X 4	49	47777	1	SPRING, COMPRESSION
17	44180	7	BOLT, HEX 5/16-18 X 2	50	46838	2	SPACER, .800ID X 1.00OD X .50
18	44215	1	BOLT, CARR 5/16-18 X 1-3/4	51	47963	2	BEARING, HEX FLANGE
19	43661	2	BOLT, HEX 1/4-20 X 1	52	R19172410	2	WASHER, .531 X 1.5 X .134
20	46524	6	SPACER, .800ID X 1.00OD X 3.1	53	24736BL1	1	ENDPLATE, RH
21	47623	1	PIN, HITCH	54	24741	1	FLOW PLATE
22	741-0249	12	BEARING, FLANGED	55	46557	1	NUT, 1/2 PUSH
23	43093	2	PIN, COTTER 1/8 X 1-1/2	56	24739	2	AGITATOR BLADE
24	44101	1	PIN, COTTER 3/32 X 3/4	57	47978	10	SCREW, HEX 8-32 X 1/4
25	43343	1	PIN, HAIR COTTER 3/32	58	64104	1	AGITATOR SHAFT ASSEMBLY
26	47189	5	NUT, HEX 1/4-20 NYLOCK	59	45133	1	SPACER, .500ID X 1.00OD X .59
27	47810	13	NUT, HEX .312-18 NYLOCK	60	24735BL1	1	ENDPLATE, LH
28	48115	2	NUT, HEX 1/2-13 NYLOCK JAM	61	24539	1	BRACKET, FEED PLATE
29	43019	2	NUT, HEX .5-13 JAM	62	41998	2	RIVET, POP 5/32
30	44137	2	WASHER, .518 X 1 X .02	63	48418	8	RIVET, POP 3/16
31	44731	2	SCREW, HEX 1/4 X 1/2	64	48173	2	WASHER, .817 X 1.5 X .059
32	43182	1	BOLT, HEX 5/16-18 X 3/4		45941	1	OWNER'S MANUAL
33	R19212016	3	WASHER, .656 X 1.25 X .059				