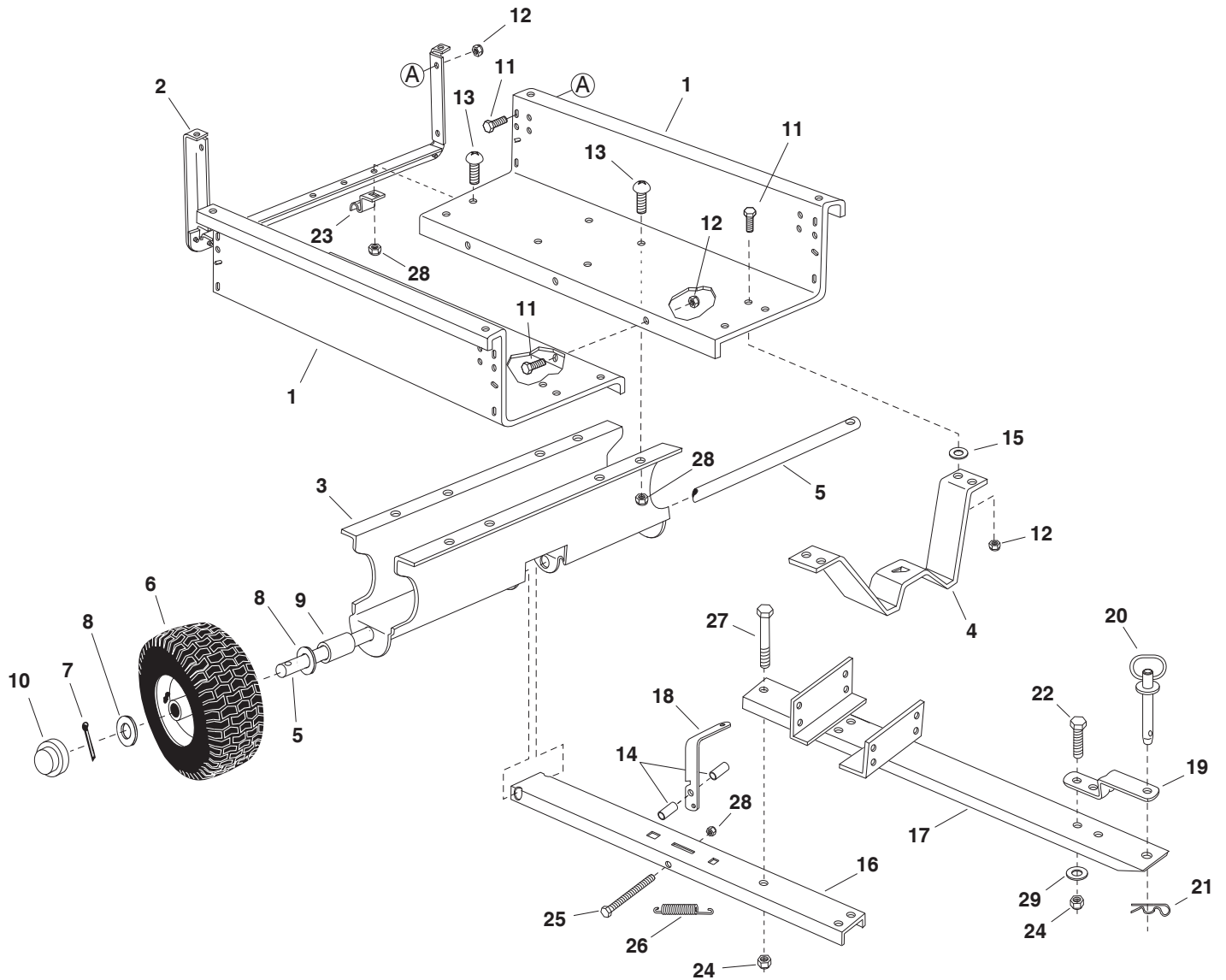


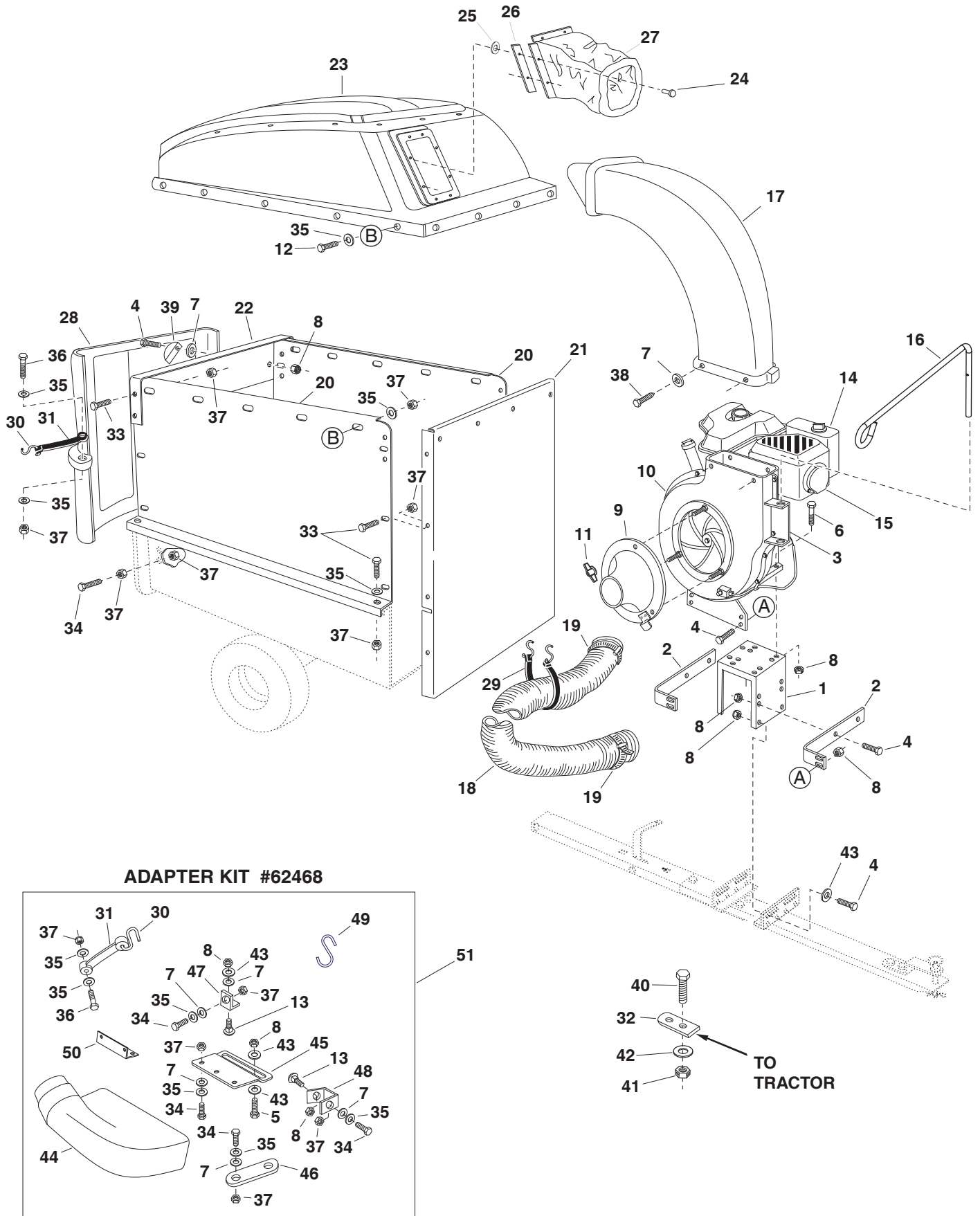
PARTS

REPAIR PARTS FOR MOW-N-VAC CART BODY MODELS 551889, 190-217F-100



REF.	PART NO.	QTY.	DESCRIPTION	REF.	PART NO.	QTY.	DESCRIPTION
1	23985	2	Cart Body	16	63917	1	Tongue Weldment Ass'y. (Rear)
2	62458	1	Tailgate Reinforcement Bracket	17	63155	1	Tongue Weldment Ass'y. (Front)
3	23507	1	Wheel Support	18	24614	1	Latch Lock Lever
4	24497	1	Latch Stand Bracket	19	23475	1	Hitch Bracket
5	24897	1	Axle, Wheel 1" Dia.	20	43884	1	Hitch Pin
6	42159	2	Wheel w/Tire, 15 x 6.00	21	43343	1	Pin, Hair Cotter 1/8"
7	43093	2	Cotter Pin, 1/8" Dia. x 1-1/2"	22	43087	2	Hex Bolt, 3/8-16 x 1-1/4"
8	43601	4	Washer, Flat 1"	23	23838	2	Door Support
9	44678	2	Spacer Tube, 1-1/4" x 2" Lg.	24	HA21362	5	Nut, Hex Nylock 3/8-16
10	43014	2	Hub Cap	25	47407	1	Hex Bolt, 5/16-18 x 3-3/4"
11	43866	9	Hex Bolt, 1/4-20 x 5/8"	26	47408	1	Spring, Extension
12	47189	9	Hex Nut, 1/4-20 Nylock	27	43574	3	Hex Bolt, 3/8-16 x 3"
13	43814	12	Truss Hd. Bolt, 5/16-18 x 3/4"	28	47810	13	Hex Nut, 5/16-18 Nylock
14	41076	2	Spacer	29	43081	2	Washer, 3/8"
15	43088	2	Washer, Flat 1/4"				

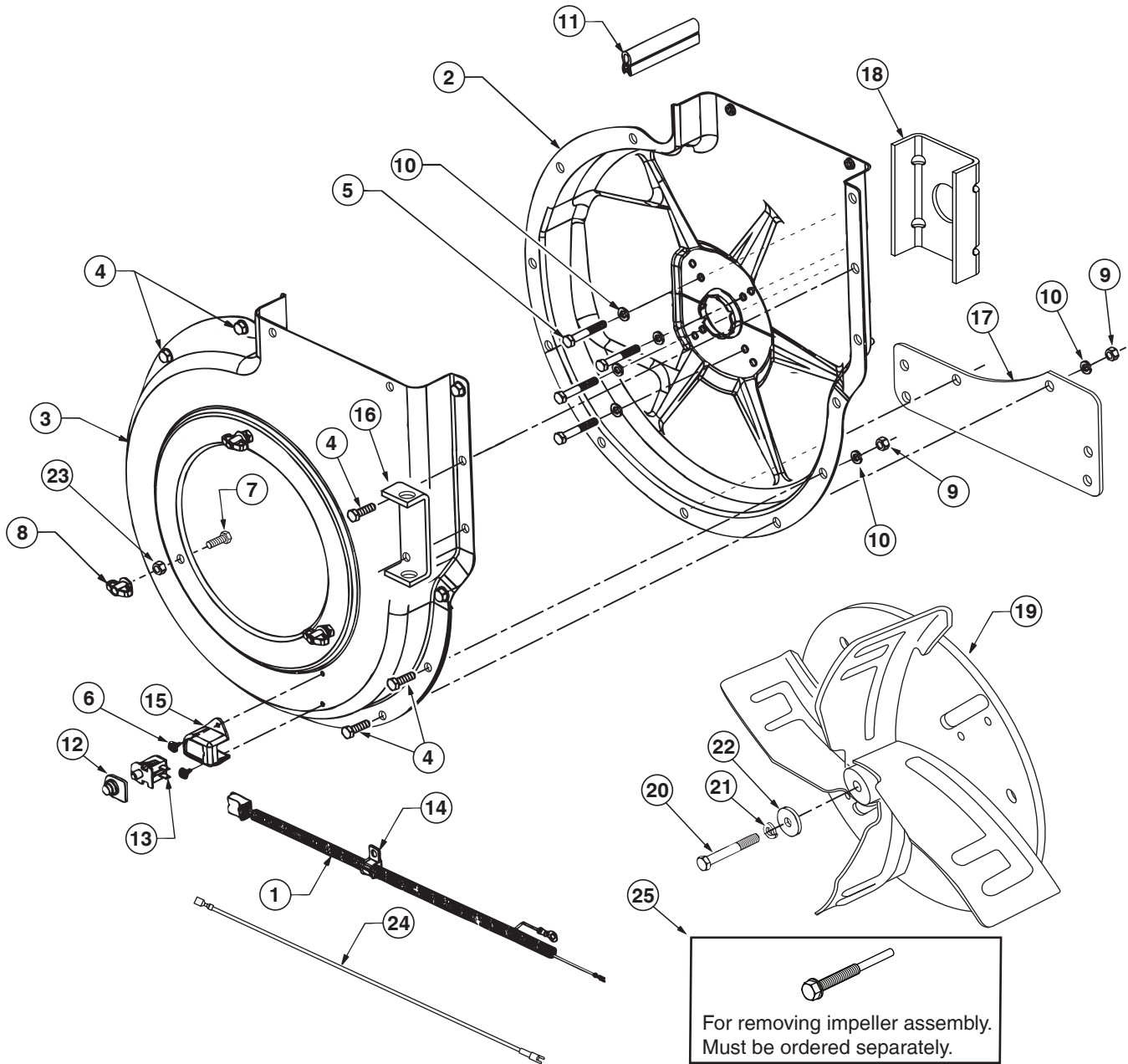
REPAIR PARTS FOR MOW-N-VAC MODELS 551889, 190-217F-100



**REPAIR PARTS FOR MOW-N-VAC
MODELS 551889, 190-217F-100**

REF	PART NO.	QTY.	DESCRIPTION	REF	PART NO.	QTY.	DESCRIPTION
1	24080	1	Engine Base	26	24798	4	Boot Mounting Strap
2	24078	2	Brace, Housing	27	48133	1	Hard top Boot
3	63226	1	Hose Hanger Bracket Ass'y. (Ref. item #16 on page 22.)	28	44790	1	Poly Rear Door
4	43182	14	Bolt, Hex 5/16-18 x 3/4"	29	43790	1	Strap, Tarp 25"
5	43840	2	Bolt, Hex 5/16-18 x 1-1/4"	30	44849	4	"S" Hook, #32
6	43085	4	Bolt, Hex 5/16-18 x 1-1/2"	31	44850	4	Strap, Tarp (Less Hooks)
7	1543-69	9	Washer, Nylon 21/64"	32	23540	1	Hitch Plate
8	47810	18	Nut, Hex Nylock 5/16-18	33	43866	20	Bolt, Hex 1/4-20 x 5/8"
9	43791	1	Hose Adapter	34	43661	6	Bolt, Hex 1/4-20 x 1"
10		1	Impeller Housing Assembly (See page 22)	35	43088	45	Washer, 1/4" STD
11	712-0421	3	Knob (See Item #8, Page 22)	36	1509-90	5	Bolt, Hex 1/4-20 x 1-1/4"
12	43012	13	Bolt, Hex 1/4-20 x 3/4"	37	47189	43	Nut, Hex Nylock 1/4-20
13	43080	2	Bolt, Carr. 5/16" x 3/4"	38	47630	4	Screw, Self Tap 5/16-18 x 3/4"
14	42462	1	Engine (50 State)	39	23789	2	Door Latch
15	222261	1	Deflector, Muffler	40	43351	1	Bolt, Hex 1/2-13 x 1-1/4"
16	49974	1	Hose Hanger Rod	41	712-3083	1	Nut, Hex Nylock 1/2-13
17	46420	1	Elbow	42	43352	1	Washer, Flat 7/16"
18	41882	1	Hose (6" x 84")	43	43081	16	Washer, 5/16" STD
19	43793	2	Hose Clamp 6"	44	43830	1	Adapter, Deck
20	24678	2	Side Panel Cart Extension	45	23560	1	Bracket, Deck Adapter
21	24679	1	Front Panel Cart Extension	46	23825	1	Mounting Strap
22	23836	1	Cross Brace	47	23826	1	Angle Bracket
23	64244	1	Hard Top Assembly (Includes 24,25,26,27)	48	23827	1	Mounting Bracket
24	43882	21	Rivet, 3/16"	49	42749	1	"S" Hook, Large
25	43910	21	Washer, Flat 3/16"	50	27304	1	Bracket, Attachment
				51	62468	1	Deck Adapter Kit (Includes
					42490	1	Owner's Manual

REPAIR PARTS FOR MOW-N-VAC IMPELLER HOUSING ASSEMBLY MODELS 551889 & 190-217F-100



REF.	PART NO.	QTY.	DESCRIPTION	REF.	PART NO.	QTY.	DESCRIPTION
1	629-0241A	1	Harness, Wire	14	726-0272	1	Clamp
2	24634	1	Housing Ass'y. Inner	15	731-1613	1	Cover, Switch
3	24633	1	Housing Ass'y. Outer	16	24958	1	Hose Hanger Bracket
4	43182	12	Bolt, Hex 5/16-18 x 3/4"	17	24606	1	Spacer, Housing
5	710-0772	4	Bolt, Hex 5/16-24 x 2"	18	27187	1	Spacer Bracket
6	710-1268	2	Screw, Self Tap #10-16 x 3/8"	19	66886	1	Impeller Assembly
7	43063	3	Bolt, Hex 5/16-18 x 1"	20	710-1273	1	Bolt, Hex 3/8-24 x 2-3/4"
8	712-0421	3	Knob	21	43003	1	Lockwasher, 3/8"
9	48848	12	Nut, Nylock Jam 5/16-18	22	736-0247	1	Flat Washer, 13/32" x 1-1/4"
10	43086	4	Lock Washer, 5/16"	23	46584	3	Nut, Whizlock 5/16-18
11	723-0438	1	Seal, Rubber	24	629-0923	1	Harness Adapter
12	725-1700	1	Cover, Switch	25	42294	1	Impeller Service Tool
13	725-3166	1	Snap Mount Switch				