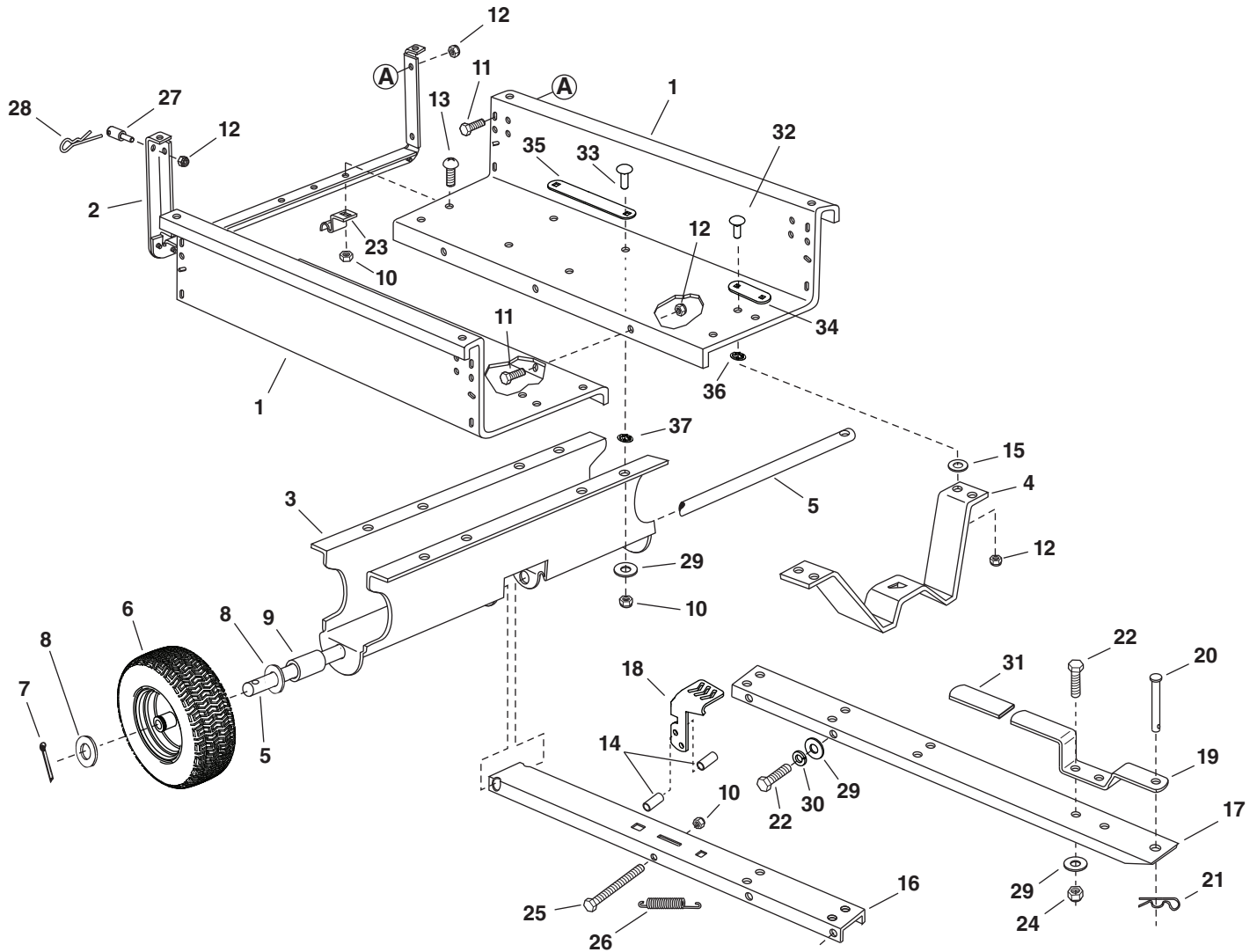


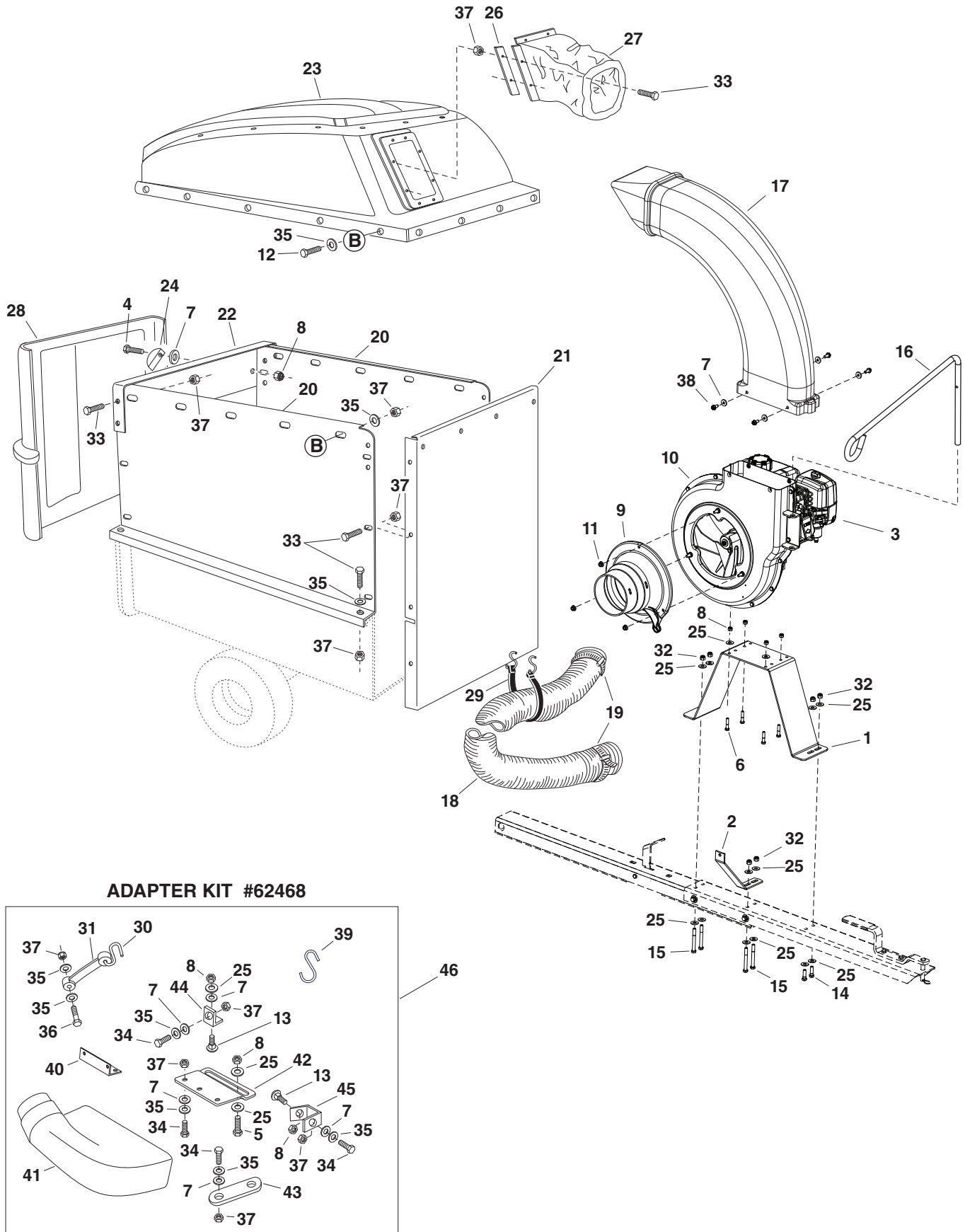
PARTS

REPAIR PARTS FOR MOW-N-VAC CART BODY MODEL 551889C



REF.	PART NO.	QTY.	DESCRIPTION	REF.	PART NO.	QTY.	DESCRIPTION
1	23985	2	Cart Body	20	49932	1	Hitch Pin
2	62458	1	Tailgate Reinforcement Bracket	21	43343	1	Pin, Hair Cotter 1/8"
3	23507	1	Wheel Support	22	43087	6	Hex Bolt, 3/8-16 x 1-1/4"
4	24497	1	Latch Stand Bracket	23	23838	2	Door Support
5	24897	1	Axle, Wheel 1" Dia.	24	HA21362	2	Nut, Hex Nylock 3/8-16
6	42159	2	Wheel w/Tire, 15 x 6.00	25	47407	1	Hex Bolt, 5/16-18 x 3-3/4"
7	43093	2	Cotter Pin, 1/8" Dia. x 1-1/2"	26	47408	1	Spring, Extension
8	43601	4	Washer, Flat 1"	27	42999	2	Pin
9	44678	2	Spacer Tube, 1-1/4" x 2" Lg.	28	48934	2	Hairpin
10	47810	13	Hex Nut, 5/16-18 Nylock	29	43081	14	Washer, 5/16"
11	43866	5	Hex Bolt, 1/4-20 x 5/8"	30	43003	4	Lock Washer, 3/8"
12	47189	13	Hex Nut, 1/4-20 Nylock	31	47707	1	Grip
13	43814	4	Truss Hd. Bolt, 5/16-18 x 3/4"	32	44950	4	Carriage Bolt, 1/4-20 x 3/4"
14	41076	2	Spacer	33	45542	8	Carriage Bolt 5/16-18 x 1"
15	43088	2	Washer, Flat 1/4"	34	28546	2	Strap, Latch Stand Anchor
16	68346	1	Tongue Weldment Ass'y. (Rear)	35	28547	4	Strap, Wheel Support Anchor
17	27863	1	Tongue (Front)	36	45541	4	1/4" Retainer
18	28258	1	Latch, Foot Pedal	37	M84309	8	Retainer Nut
19	27264	1	Hitch Bracket				

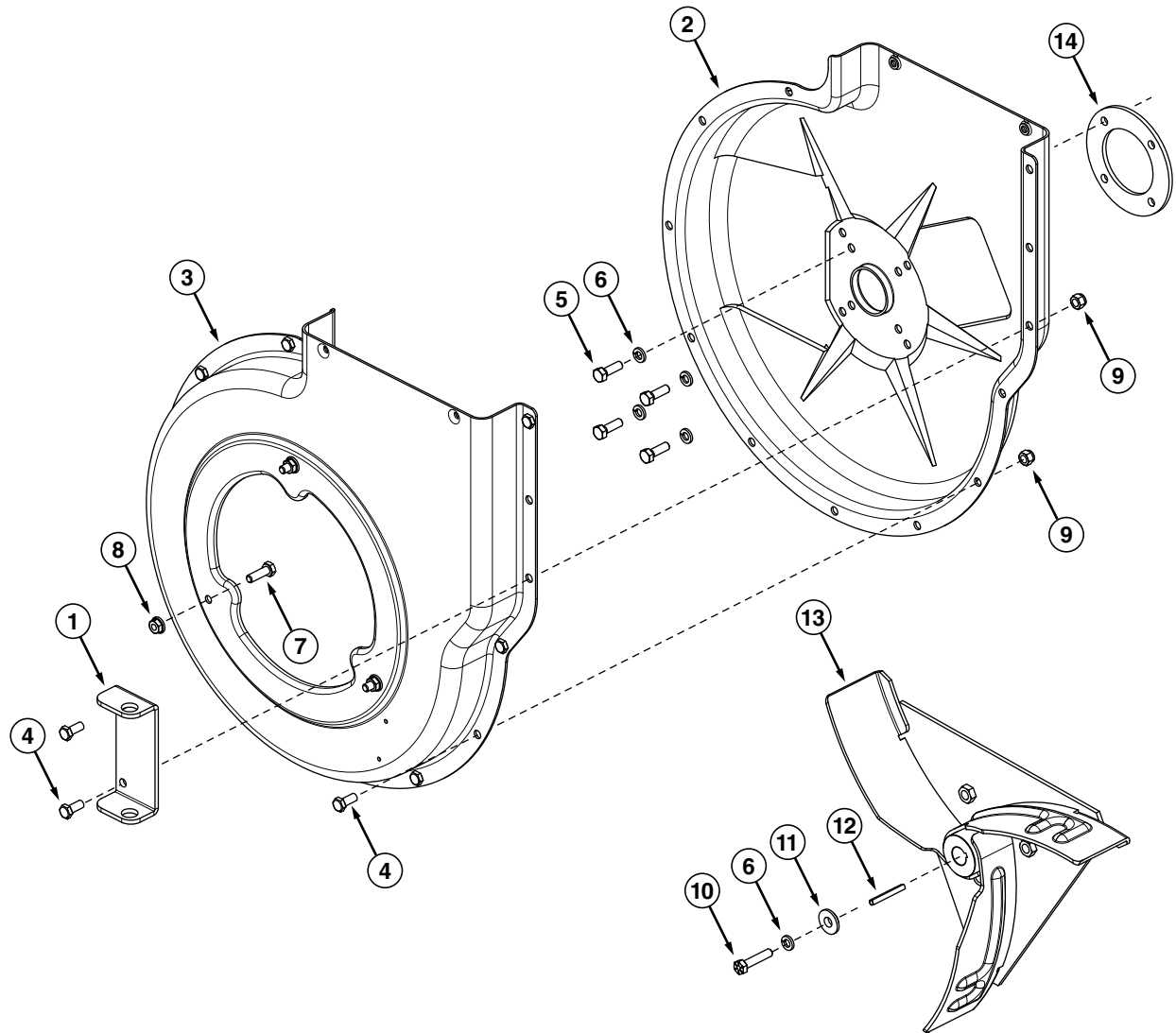
REPAIR PARTS FOR MOW-N-VAC MODEL 551889C



**REPAIR PARTS FOR MOW-N-VAC
MODEL 551889C**

REF	PART NO.	QTY.	DESCRIPTION	REF	PART NO.	QTY.	DESCRIPTION
1	27883	1	Engine Base	24	23789	2	Door Latch
2	27882	1	Brace, Housing	25	43081	26	Washer, 5/16" STD
3-	42880	1	Engine (50 State)	26	24798	4	Boot Mounting Strap
4	43182	2	Bolt, Hex 5/16-18 x 3/4"	27	48133	1	Hard top Boot
5	43840	2	Bolt, Hex 5/16-18 x 1-1/4"	28	44790	1	Poly Rear Door
6	43085	4	Bolt, Hex 5/16-18 x 1-1/2"	29	43790	1	Strap, Tarp 25"
7	1543-69	11	Washer, Nylon 21/64"	30	44849	2	"S" Hook, #32
8	47810	9	Nut, Hex Nylock 5/16-18	31	44850	2	Strap, Tarp (Less Hooks)
9	43791	1	Hose Adapter	32	HA21362	6	Nut, Hex Nylock 3/8-16
10		1	Impeller Housing Assembly (See page 22)	33	43866	28	Bolt, Hex 1/4-20 x 5/8"
11	49983	3	Hex Nut, Flange Lock 5/16-18	34	43661	4	Bolt, Hex 1/4-20 x 1"
12	43012	13	Bolt, Hex 1/4-20 x 3/4"	35	43088	11	Washer, 1/4" STD
13	43080	2	Bolt, Carr. 5/16" x 3/4"	36	1509-90	3	Bolt, Hex 1/4-20 x 1-1/4"
14	43087	2	Hex Bolt, 3/8-16 x 1-1/4"	37	47189	16	Nut, Hex Nylock 1/4-20
15	46938	4	Hex Bolt, 3/8-16 x 3-1/4"	38	47630	4	Screw, Self Tap 5/16-18 x 3/4"
16	49974	1	Hose Hanger Rod	39	42749	1	"S" Hook, Large
17	46420	1	Elbow	40	27304	1	Attachment Bracket
18	41882	1	Hose (6" x 84")	41	43830	1	Adapter, Deck
19	43793	2	Hose Clamp 6"	42	23560	1	Bracket, Deck Adapter
20	24678	2	Side Panel Cart Extension	43	23825	1	Mounting Strap
21	24679	1	Front Panel Cart Extension	44	23826	1	Angle Bracket
22	23836	1	Cross Brace	45	23827	1	Mounting Bracket
23	68606	1	Hard Top Assembly (Includes 24,25,26,27)	46	62468	1	Deck Adapter Kit (Includes parts shown in box on page 18.)
					45578	1	Owner's Manual

REPAIR PARTS FOR MOW-N-VAC IMPELLER HOUSING ASSEMBLY MODEL 551889C



REF.	PART NO.	QTY.	DESCRIPTION	REF.	PART NO.	QTY.	DESCRIPTION
1	24958	1	Hose Hanger Bracket	8	46584	3	Nut, Whizlock 5/16-18
2	27884	1	Housing Ass'y. Inner	9	47810	12	Nut, Nylock Hex 5/16-18
3	24633	1	Housing Ass'y. Outer	10	28107	1	Bolt, Hex 5/16-24 x 1-1/2"
4	43182	12	Bolt, Hex 5/16-18 x 3/4"	11	26538	1	Spacer, Step
5	47600	4	Bolt, Hex 5/16-24 x 1"	12	HA11154	1	Key, 3/16" x 1-3/4"
6	43086	5	Lock Washer, 5/16"	13	68669	1	Impeller Assembly
7	43063	3	Bolt, Hex 5/16-18 x 1"	14	28046	1	Spacer, Inner Housing