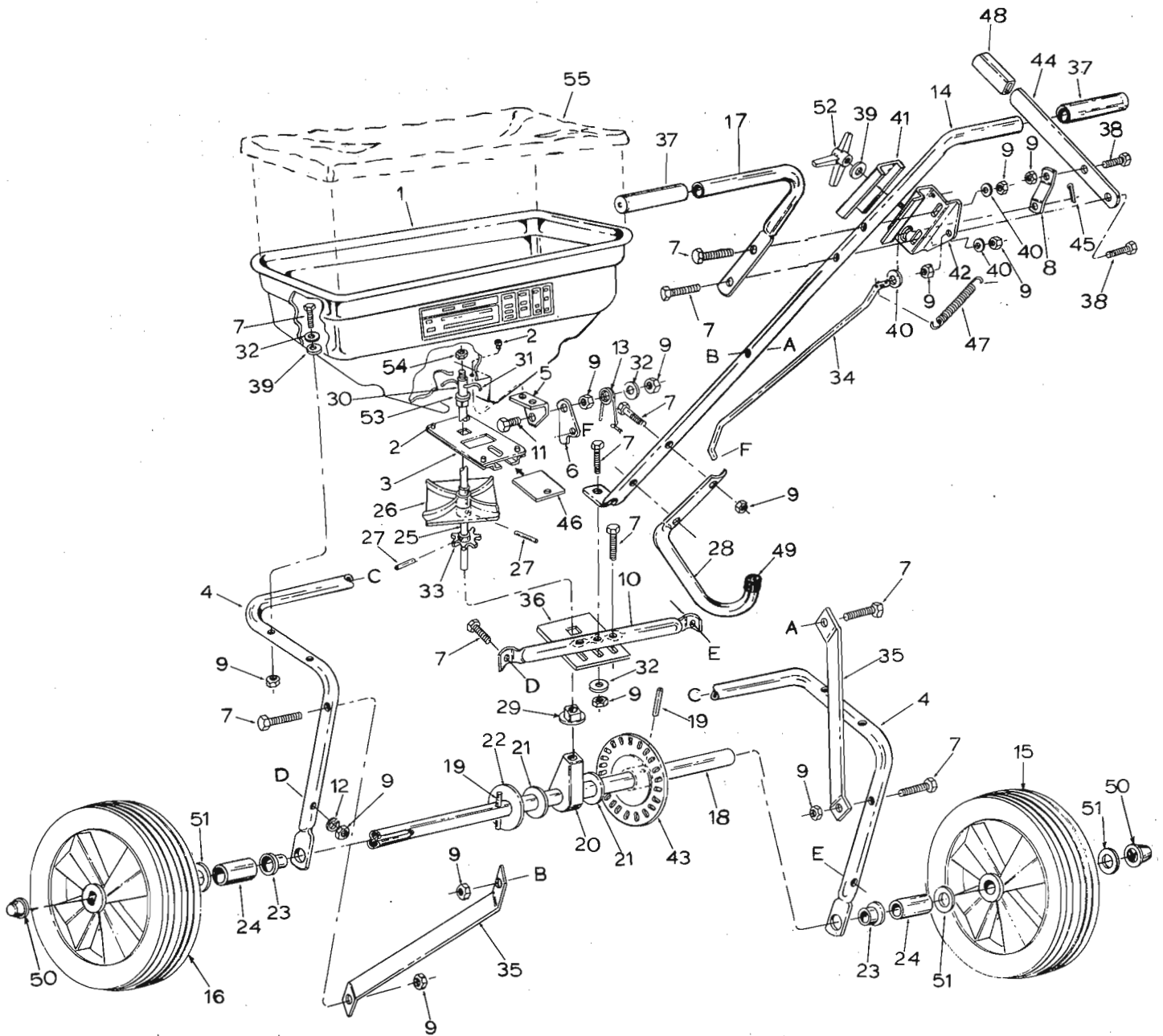


# REPAIR PARTS FOR BROADCAST SPREADER MODEL 45-0214



**REPAIR PARTS LIST FOR BROADCAST SPREADER MODEL 45-0214**

REF. NO.	PART NO.	QTY.	DESCRIPTION	REF. NO.	PART NO.	QTY.	DESCRIPTION
1	44624	1	Hopper - Broadcast Spreader	28	44587	1	Tube, Leg Stand
2	43882	6	Rivet - Stainless	29	43852	1	Bushing, Nylon .375 I.D.
3	62482	1	Ass'y. - Guide Closure	30	23766	1	Sleeve, Agitator
4	44588	1	Tube, Frame	31	43878	1	Wire, Agitator
5	23753	1	Slide Gate Angle Bracket	32	43088	10	Washer, Flat 1/4" Std.
6	23758	1	Slide Gate Bracket	33	44468	1	Sprocket - 6T
7	43648	20	Bolt, 1/4-20 1-1/2" Lg.*	34	44514	1	Rod, Flow Control
8	23756	1	Flow Control Link	35	23525	2	Brace, Hitch
9	43013	24	Nut, Hex Lock 1/4-20 Thd.*	36	23780	1	Support, Shaft
10	44591	1	Tube, Crossover	37	44482	2	Grip, Handle
11	43012	1	Bolt, Hex 1/4-20 x 3/4" Lg. Gr. 5	38	43866	2	Bolt, Hex 1/4-20 x 5/8" Lg. Gr. 5
12	43177	2	Lock Washer Spring 1/4" I.D.*	39	1543-069	7	Washer, Nylon
13	44566	1	Spring, Torsion	40	R19111116	3	Washer, 5/16" SAE
14	44590	1	Tube, Handle (long)	41	23755	1	Gage, Flow Control
15	44631	1	Wheel, Ass'y. 12 x 1.75"	42	62732	1	Ass'y. Flow Control Mount
16	44630	1	Wheel, Ass'y. 12 x 1.75" (drive)	43	62798	1	Ass'y. Gear
17	44589		Tube, Handle (short)	44	23759	1	Flow Control Arm
18	23781	1	Shaft, Axle	45	44101	1	Cotter Pin 3/32" x 3/4" Lg.*
19	44665	2	Pin, Roll 5/32" Dia. x 1.25" Lg.	46	23533	1	Plate, Closure
20	44672	1	Bushing, Axle/Shaft	47	43000	1	Spring, Extension
21	44137	4	Washer, Flat 1/2" I.D.	48	43848	1	Grip, Flow Control Arm
22	R19171616	1	Washer, Flat 17/32" I.D.	49	44481	1	Cap, Vinyl
23	741-0248	2	Bearing Flange	50	44663	2	Hub Cap
24	44593	2	Spacer .75 O.D. x 1.75" Lg.	51	R19171616	3	Washer 17/32 x 1" x 16 Ga.
25	23524	1	Shaft, Sprocket	52	43849	1	Knob, Plastic 1/4-20 Thd.
26	04367	1	Spreader Plate	53	44285	1	Bushing Delring .375 I.D.
27	43850	2	Pin Spring 1/8" Dia. x 5/8" Lg.	54	43082	1	Nut, Hex Lock 3/8-16 Thd.
				55	44619	1	Optional Vinyl Hopper Cover
					44668	1	Owner's Manual

\*Purchase common hardware locally.