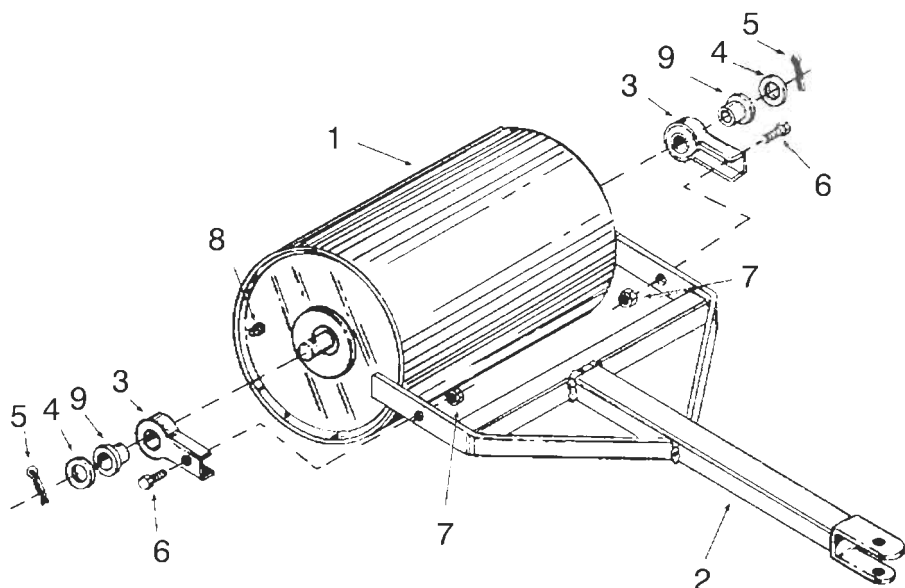


# ASSEMBLY INSTRUCTIONS

(See illustration below)

1. Remove two hex bolts (Ref. No. 6) and hex nuts (Ref. No. 7) from axle brackets.
2. Place the hitch assembly (Ref. No. 2) in position in the axle brackets (Ref. No. 3).
3. Secure hitch assembly with hardware, you removed in step 2.



## PARTS LIST FOR LAWN ROLLER MODEL 45-0216

Ref. No.	Part No.	Description	Ref. No.	Part No.	Description
1	62811	Lawn Roller Ass'y	6	43063	Hex Bolt 5/16-18 x 1.00" Lg.
2	62810	Hitch Ass'y	7	43064	Hex Lock Nut 5/16-18
3	23397	Bearing Mount Bracket	8	43709	Plug 1"
4	43528	Flat Washer 1" Std.	9	43632	Bearing
5	43501	Cotter Pin 5/32" Dia. x 1-1/2" Lg.			

### REPAIR PARTS

303 West Raymond St.  
Sullivan, IL. 61951 - Telephone (217)728-8388

Printed in USA - Form No. 44713 (Rev. 3/93)