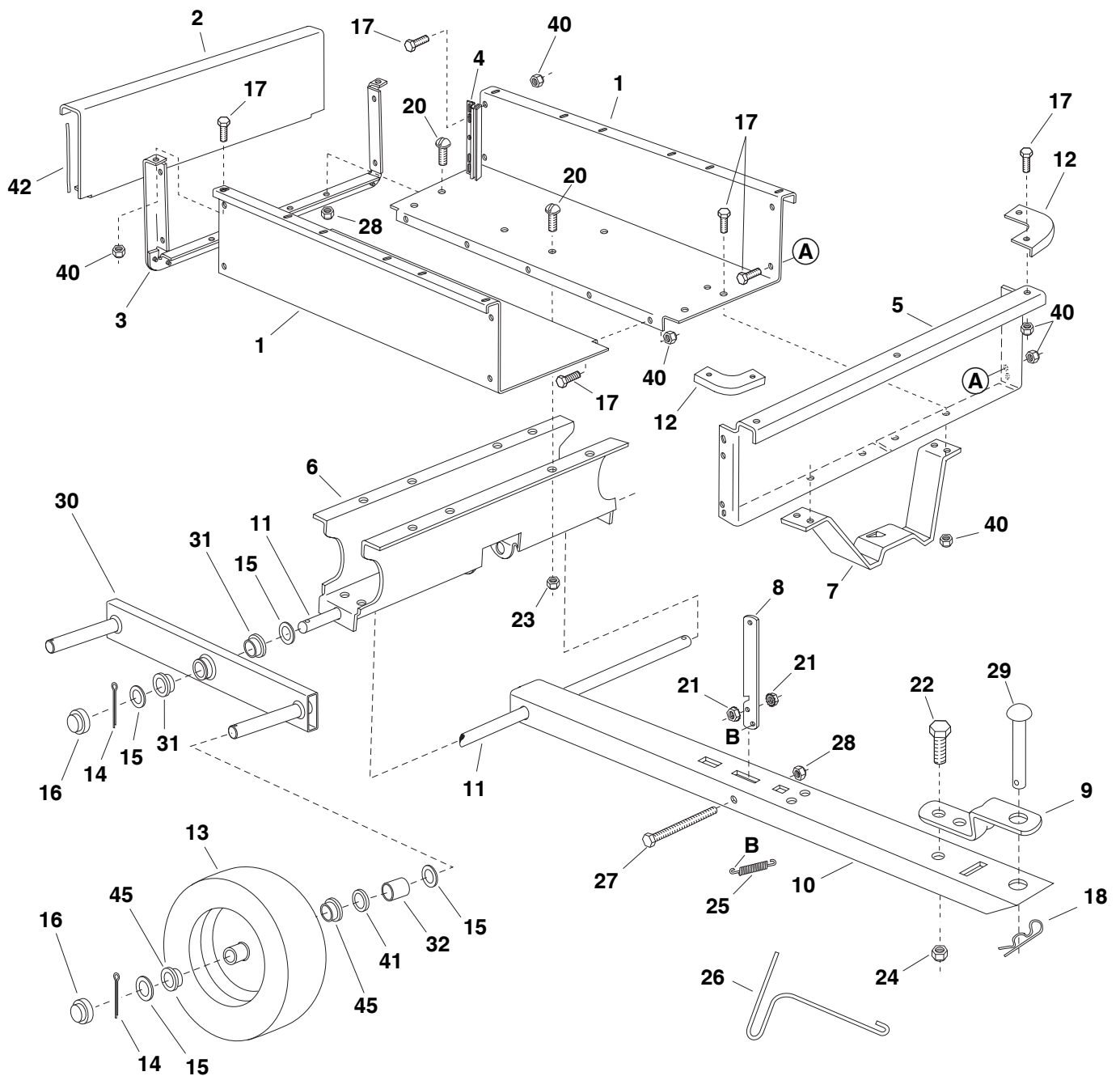
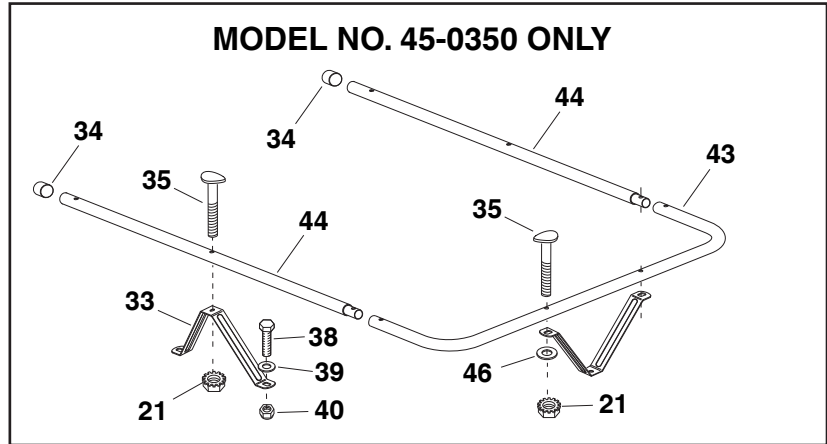


REPAIR PARTS FOR CART MODEL NO'S. 45-0350, 45-0351



REPAIR PARTS FOR CART MODEL NO'S. 45-0350, 45-0351

REF. NO.	PART NO.	DESCRIPTION	45-0350	45-0351
1	25112	Cart Body	2	2
2	23502	Tailgate	1	1
3	62458	Tailgate Reinforcement Bracket	1	1
4	23548	Tailgate Guide	2	2
5	23492	Front Panel	1	1
6	25106	Wheel Support	1	1
7	24497	Latch Stand Bracket	1	1
8	24498	Latch Lock Lever	1	1
9	23014	Hitch Bracket	1	1
10	25114	Draw Bar Tongue	1	1
11	25107	Axle, 1" Dia.	1	1
12	23484	Front Corner Cap	2	2
13	43594	Wheel, 16/6.5" x 8.00 (45-0351)	---	4
	48906	Wheel, 18/9.5" x 8.00 (45-0350)	4	---
14	43093	Cotter Pin, 1/8" Dia. x 1-1/2" *	6	6
15	43601	Washer, Flat 1" (Thin)	20	20
16	43014	Hub Cap	6	6
17	43866	Hex Bolt, 1/4-20 x 5/8" *	21	25
18	43343	Hair Cotter Pin, 1/8 (#4) *	1	1
20	43814	Truss Hd. Bolt, 5/16-18 x 3/4" Lg. *	12	12
21	46980	Hex Nut, 5/16-18 (SEMS)	10	2
22	43001	Hex Bolt, 3/8-16 x 1" Lg. *	1	1
24	HA21362	Nylock Nut, 3/8-16 *	1	1
25	47408	Extension Spring	1	1
26	47622	Spring Puller Tool	1	1
27	47407	Hex Bolt, 5/16-18 x 4" *	1	1
28	47810	Nylock Nut, 5/16-18*	13	13
29	48948	Hitch Pin	1	1
30	64873	Walking Beam (Includes #44488)	2	2
32	46289	Spacer (45-0350)	4	---
	44678	Spacer (45-0351)	---	4
33	25111	Rail Brace	7	---
34	44481	Vinyl Cap	2	---
35	44947	Curved Hd. Bolt, 5/16-18 x 1-5/8"	8	---
38	43012	Hex Bolt, 1/4-20 x 3/4"	13	---
39	43088	Flat Washer, 1/4"	13	---
40	47189	Nylock Nut, 1/4"	34	25
41	1540-58	Washer, 1.03" x 1.38" x .120" (Thick)	4	---
42	48949	Protective Edging Strip	2	---
43	48951	Front Rail	1	---
44	48950	Side Rail	2	---
45	44488	Wheel Bearing (#43594 Wheel)	4	12
	65408	Wheel Bearing Kit (#48906 Wheel)	4	---
46	43081	Flat Washer, 5/16"	2	---
	48902	Owner's Manual	1	1

* Purchase Common Hardware Locally