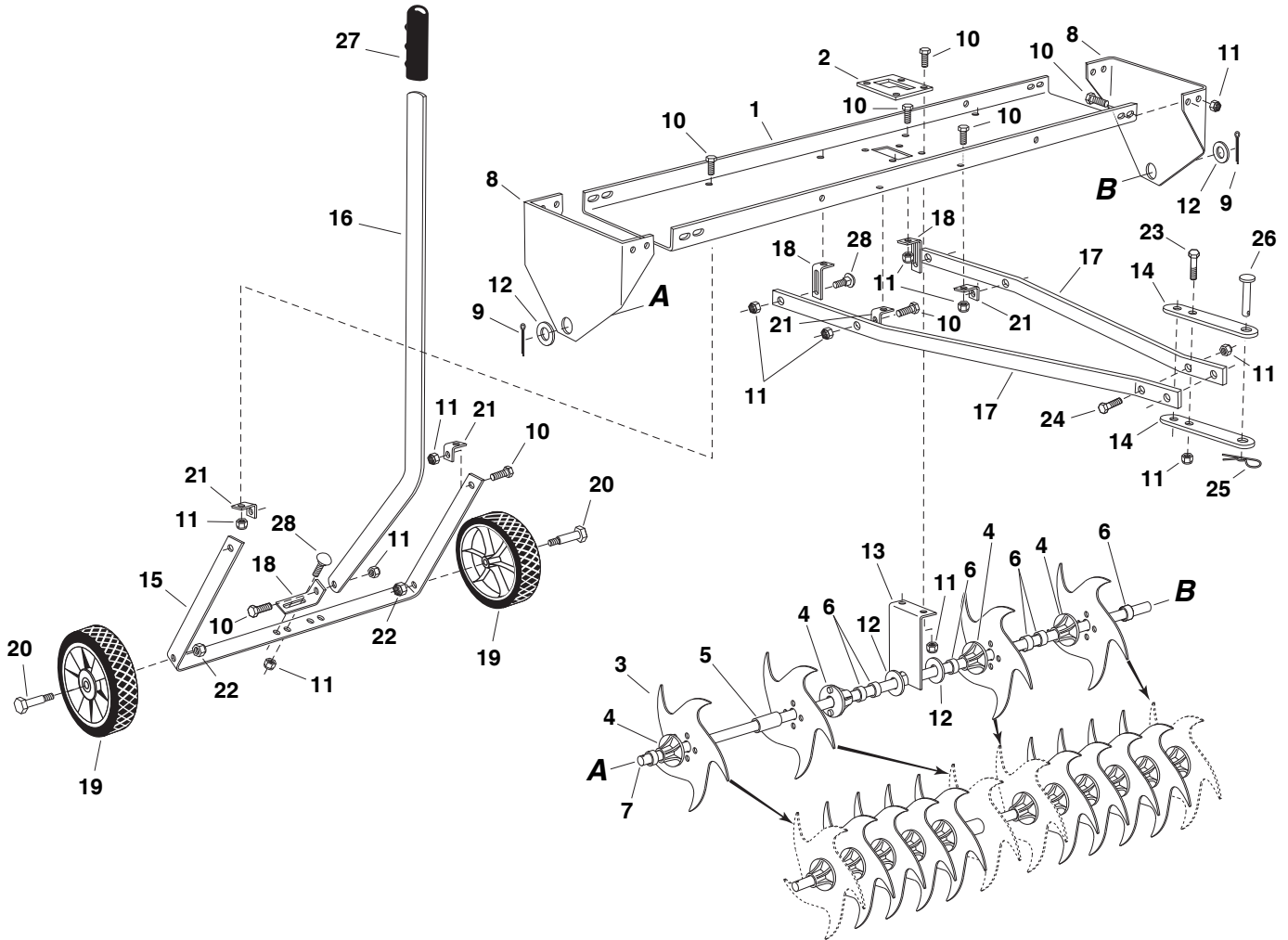


SPIKE AERATOR MODEL 45-0369 REPAIR PARTS



REF. NO.	PART	QTY.	DESCRIPTION	REF. NO.	PART NO.	QTY.	DESCRIPTION
1	24597	1	Tray	17	23914	2	Arm, Hitch Mount
2	24594	1	Plate, Lift	18	23442	3	Bracket, Hitch Arm Mount
3	25429	12	Disk, Spike	19	43021	2	Wheel
4	45148	12	Hub, Spike Disk	20	43029	2	Bolt, Shoulder
5	23708	9	Spacer, 2.13" Long	21	23826	4	Bracket, Angle
6	46838	10	Spacer, 1/2" Long	22	HA21362	2	Nut, Nylock 3/8-16
7	24598	1	Axle	23	44180	2	Bolt, Hex 5/16-18 x 2"
8	24599	2	End Plate	24	43840	2	Bolt, Hex 5/16-18 x 1-1/4"
9	43501	2	Cotter Pin, 9/64" x 1-1/2"	25	43343	1	Pin, Hair Cotter 3/32" x 2-5/16"
10	43063	23	Bolt, Hex 5/16-18 x 1"	26	47623	1	Pin, Hitch 3/8" (Flat Head)
11	47810	31	Nut, Nylock 5/16-18	27	43943	1	Grip
12	43009	10	Washer, Flat	28	44326	4	Bolt, Carriage 5/16-18 x 1"
13	24600	1	Bracket, Axle Support		49469	1	Owners Manual
14	23981	2	Bracket, Hitch				
15	24595	1	Bracket, Axle				
16	24596	1	Lift Handle				