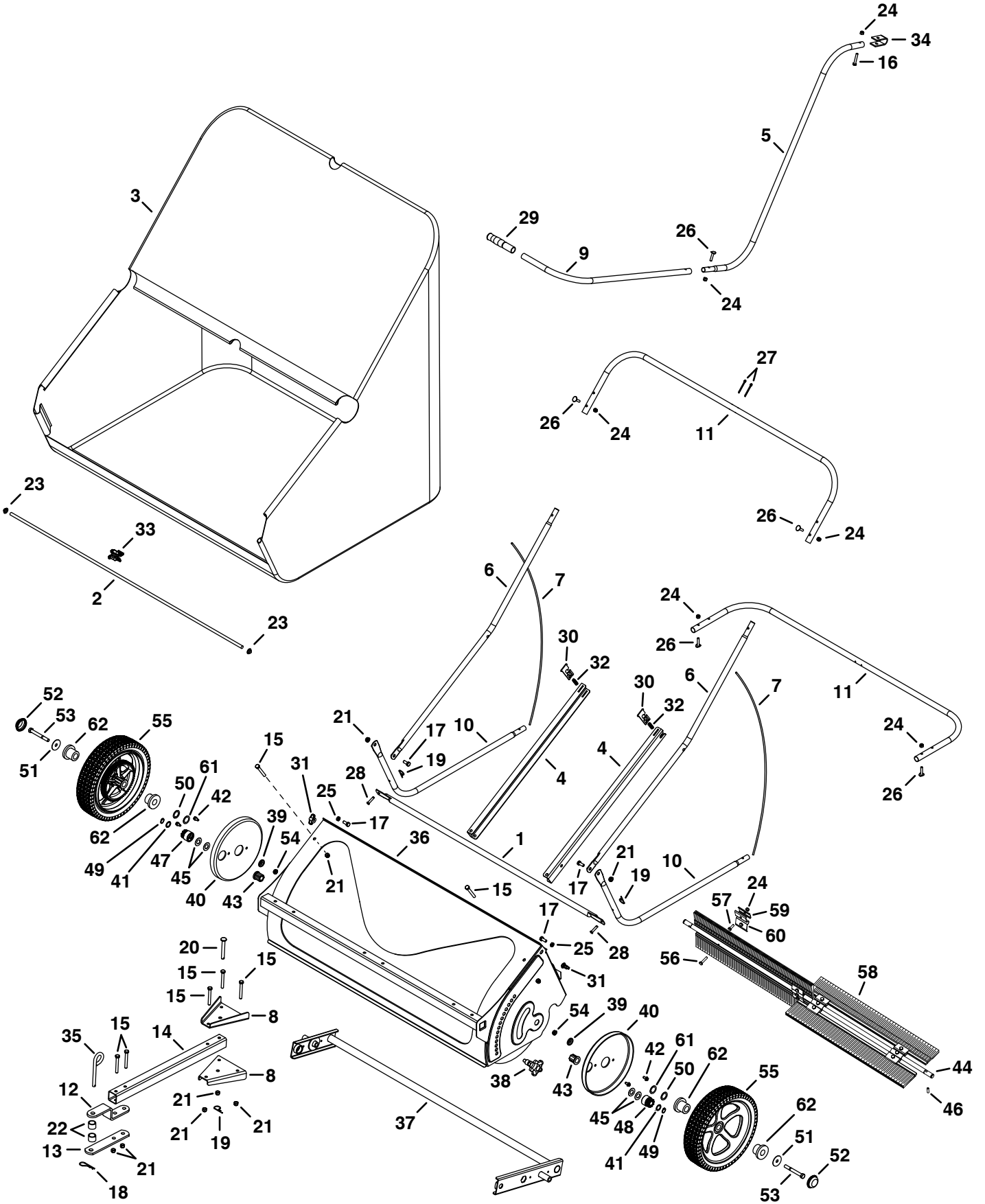


# REPAIR PARTS FOR 45-0456 44" LAWSWEEPER



# REPAIR PARTS FOR 45-0456 44" LAWSWEEPER

REF	QTY	PART NO	DESCRIPTION	REF	QTY	PART NO	DESCRIPTION
1	1	42020	Bag Frame Tube	33	1	41013	Dump Handle Clip
2	1	41041	Pivot Rod	34	1	23878	U-Clamp
3	1	40890	Hopper Bag	35	1	23353	Hitch Pin, 3/8 x 3"
4	2	26414	Bag Arm Channel	36	1	68167	Sweeper Housing
5	1	40989	Dump Tube	37	1	66240	Height Adjustment Tube
6	2	40892	Upper Hopper Tube	38	1	40891	Height Adjustment Knob
7	2	43938	Hopper Support Rod	39	2	26538	Step Spacer, .41 x .75"
8	2	26408	Drawbar Bracket	40	2	41035	Dust Cover
9	1	40894	Handle Tube	41	2	42093	Washer, .59 x .75 x .025"
10	2	40897	Lower Hopper Tube	42	4	48840	Screw, 1/4-20 x 1/2"
11	2	40893	Rear Hopper Tube	43	2	41012	Bushing
12	1	23014	Hitch Bracket	44	1	40722	42" Brush Shaft
13	1	24192	Straight Hitch Bracket	45	4	44007	Shim Washer
14	1	26413	Drawbar	46	2	47046	Dowel Pin, 1/4 x 3/4"
15	7	44292	Hex Bolt, 5/16-18 x 2-1/2"	47	1	48652	Pinion Gear (RH)
16	1	43648	Hex Bolt, 1/4-20 x 1-1/2"	48	1	48651	Pinion Gear (LH)
17	4	43182	Hex Bolt, 5/16-18 x 3/4"	49	2	42094	Retaining Ring
18	1	43343	Hair Cotter Pin, 3/32 x 2-5/16"	50	2	44008	Washer, .78 x 1.125 x .025
19	3	43055	Hair Pin, 3/32 x 1.8"	51	2	141	Washer, .378 x 1.25 x .061
20	1	47623	Hitch Pin, 3/8 x 3"	52	2	41017	Hub Cap
21	9	47810	Nylock Nut, 5/16-18	53	2	44961	Hex Bolt, 3/8-24 x 3-1/4"
22	2	23368	Spacer, .76 x 1 x .76"	54	2	1038	Nylock Jam Nut, 3/8"
23	2	44917	Palnut, 3/8"	55	2	40987	Wheel
24	18	47189	Nylock Nut, 1/4"	56	4	43661	Hex Bolt, 1/4-20 x 1"
25	2	712-3046	Jam Nut, 5/16-18	57	8	43012	Hex Bolt, 1/4-20 x 3/4"
26	5	43978	Curved Head Bolt, 1/4-20 x 1"	58	4	46780	42" Sweeper Brush
27	2	43093	Cotter Pin, 1/8" x 1-1/2"	59	4	23580	Brush Retainer (Double)
28	2	48365	Clevis Pin, 1/4 x 1.11"	60	8	23581	Brush Retainer (Single)
29	1	7071	Handle Grip 3/4"	61	2	1540-31	Washer, .78 x 1.25 x .062
30	2	26484	Pivot Rod Retainer	62	4	45088	Wheel Bearing
31	2	712-0421	Plastic Wing Nut, 5/16"		1	42016	Owners Manual
32	2	41036	Compression Spring				