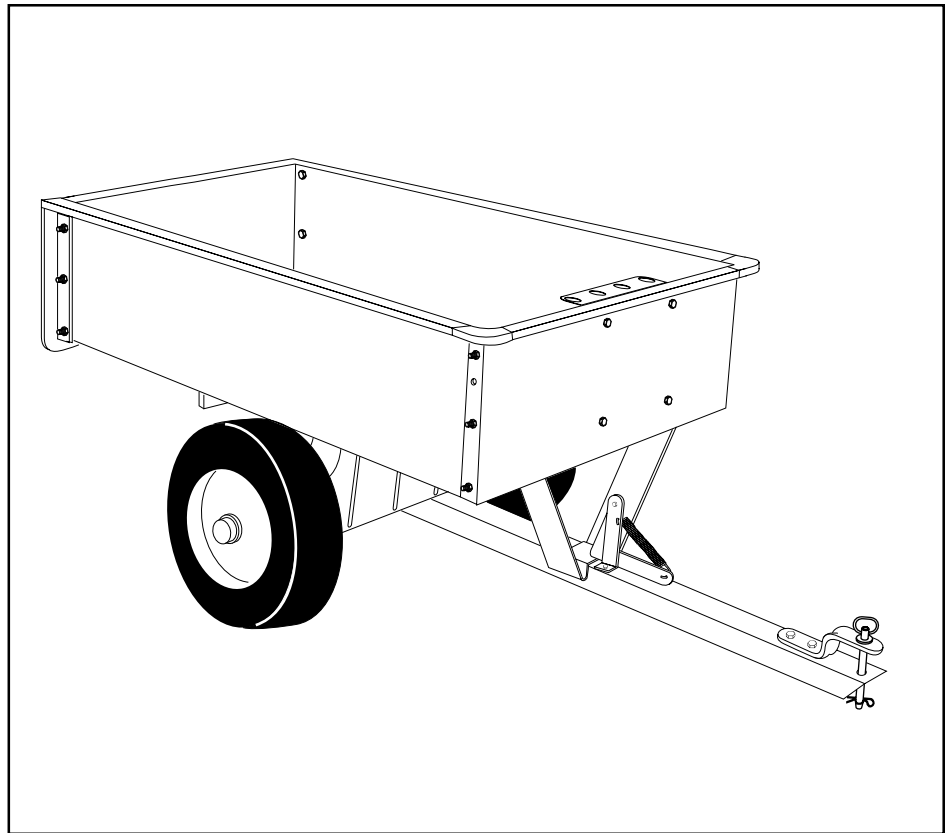


OWNERS MANUAL

**Model No.
45-0240**

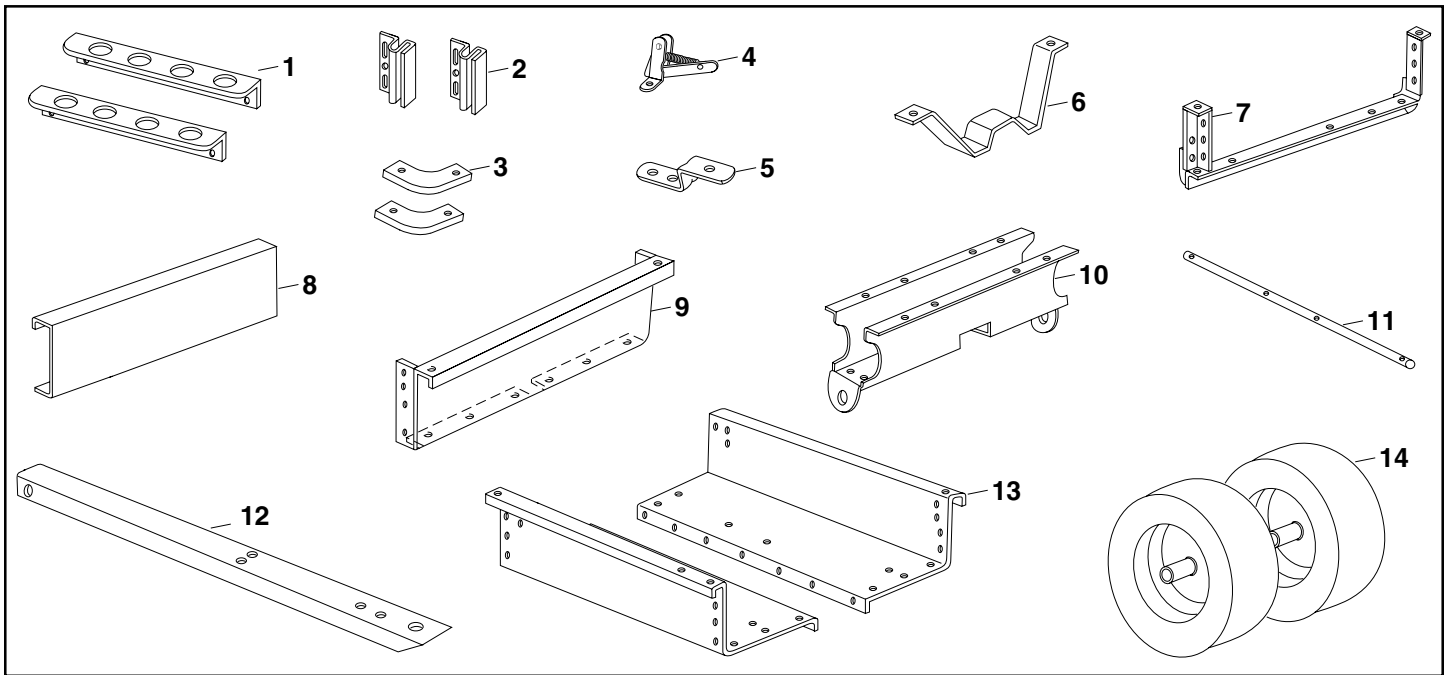
CAUTION:
Read Rules for
Safe Operation
and Instructions
Carefully



UTILITY CART

- Assembly
- Operation
- Maintenance
- Repair Parts

LOOSE PARTS IN CARTON



Carton Contents

- | | |
|-----------------------------------|---------------------|
| 1. Tool Holder Brackets (2) | 8. Tailgate |
| 2. Tailgate Guides (2) | 9. Front Panel |
| 3. Corner Caps (2) | 10. Wheel Support |
| 4. Latch Lock Sub-Assembly | 11. Axle |
| 5. Hitch Bracket | 12. Draw Bar Tongue |
| 6. Latch Stand Bracket | 13. Cart Body (2) |
| 7. Tailgate Reinforcement Bracket | 14. Wheels (2) |

Ref.	Qty.	Description
A	2	Hub Cap
B	2	Cotter Pin, 1/8" Dia. x 1-1/2"
C	4	Washer, Flat 1.032" ID
D	27	Hex Bolt, 1/4" x 1/2"
E	6	Hex Bolt, 1/4" x 5/8"
F	6	Hex Bolt, 1/4" x 3/4"
G	2	Hex Bolt, 1/4" x 1-3/4"
H	41	Lock washer, 1/4" ID
I	41	Hex Nut, 1/4" Thread
J	14	Slotted Truss Hd Bolt, 5/16" x 3/4" Lg.
K	14	Lock Washer 5/16" ID
L	14	Hex Nut 5/16" Thread
M	2	Hex Bolt, 3/8" x 1"
N	2	Lock Washer, 3/8" ID
O	2	Hex nut, 3/8" Thread
P	1	Hitch Pin
Q	1	Hairpin Cotter
R	2	Spacer Tube, 2" Lg.
S	2	Protective Edging Strip

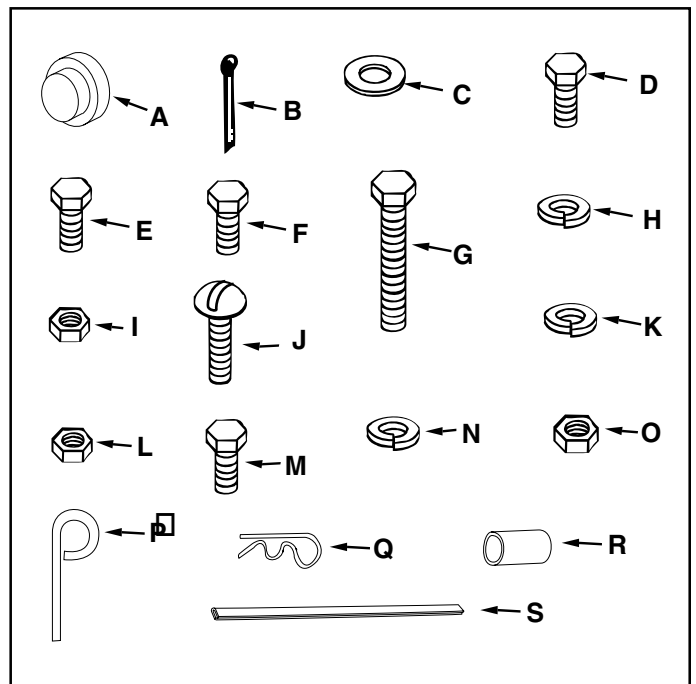



FIGURE 1 - HARDWARE PACK

ASSEMBLY INSTRUCTIONS

TOOLS REQUIRED FOR ASSEMBLY

- (1) Screwdriver
- (1) Pliers
- (2) 7/16" Wrenches
- (2) 1/2" Wrenches
- (2) 9/16" Wrenches
- (1) Power Drill (See paragraph 19, Pg. 6)

1. Remove the hardware pack and all loose parts from the carton. Be sure the carton is empty before discarding.
2. Lay out all the parts as shown in the carton contents.



CAUTION

To help prevent tipping of cart, assemble on a smooth level surface such as a garage floor or a paved driveway. Pay close attention to stability of the cart body when it is in an upright position. **DO NOT LEAVE THE CART UNATTENDED IN UPRIGHT POSITION.** The cart could be knocked over causing personal injury or damage to the cart.

3. Position cart body halves upright on a smooth level surface as shown in figure 2.
4. Assemble halves together using seven 1/4" x 1/2" hex bolts, 1/4" lock washers and 1/4" hex nuts. **Do not tighten at this time.** See figure 2.

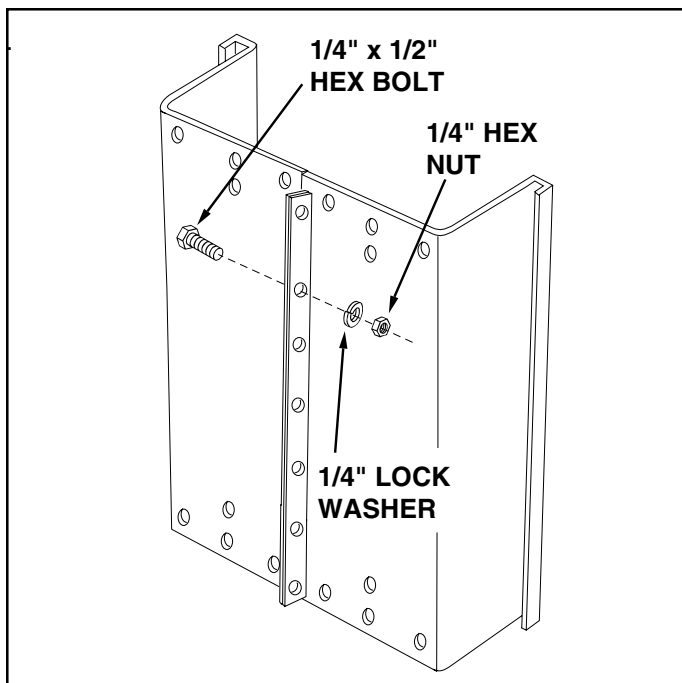


FIGURE 2

5. Position the tailgate reinforcement bracket on outside of cart as shown in figure 3. Assemble to holes in bottom of cart body using six 5/16" slotted head screws, 5/16" lock washers and 5/16" hex nuts. **Do not tighten.** See figure 3.
6. Position the tailgate guides (with mounting holes to the rear) on the inside of the cart bodies as shown in figure 3. Assemble using six 1/4" x 3/4" hex bolts, 1/4" lock washers and 1/4" hex nuts as shown in figure 3. **Do not tighten.**

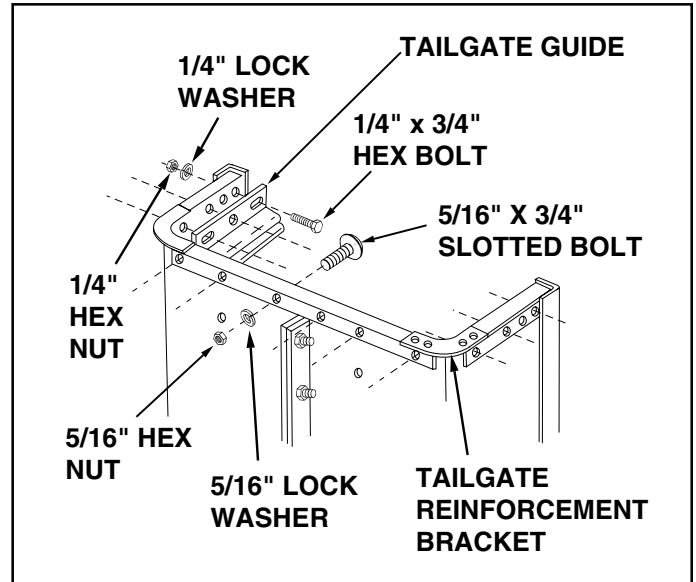


FIGURE 3

7. At this time **tighten** the six slotted head screws in the bottom of cart. Next, **tighten** the six hex bolts fastening the tailgate guides. Finally, underneath the cart, **tighten** the seven hex bolts fastening the cart bodies together.
8. Carefully reverse the position of the cart so that it rests on its opposite end, on the tailgate reinforcement bracket, as shown in figure 4. Proceed with the following assembly steps.

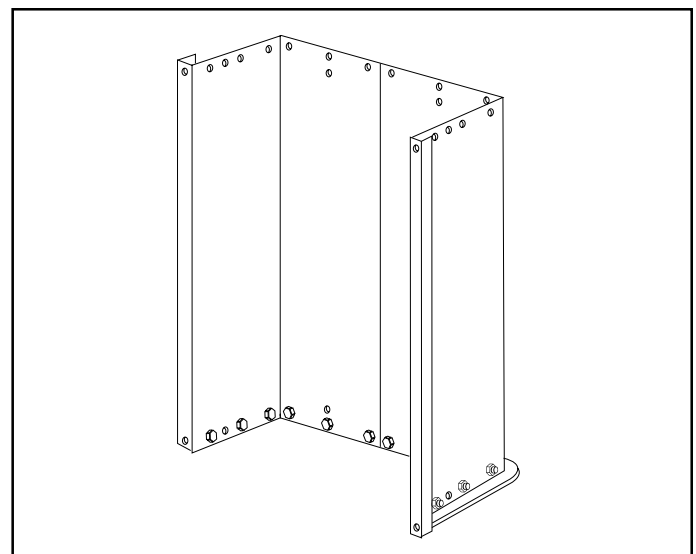


FIGURE 4

9. Assemble the front panel over the open end of the cart using ten 1/4"x1/2" hex bolts, 1/4" lock washers and 1/4" hex nuts. Insert bolts down through the two middle holes and the two outside holes in the bottom of cart body, and through the top, bottom and middle holes on each side of the cart body. Check that the cart halves are butted together and **tighten** the bolts through the bottom of the cart first; then **tighten** the bolts through the sides of the cart. See figure 5.

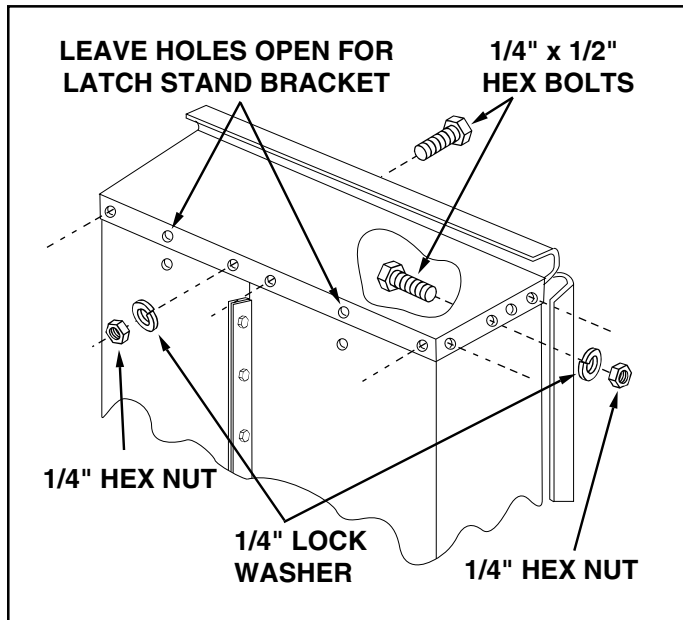


FIGURE 5

10. Assemble the wheel support to the cart using eight 5/16" x 3/4" slotted head screws, 5/16" lock washers and 5/16" hex nuts as shown in figure 6. Heads of screws go to the inside of cart. **Tighten**.

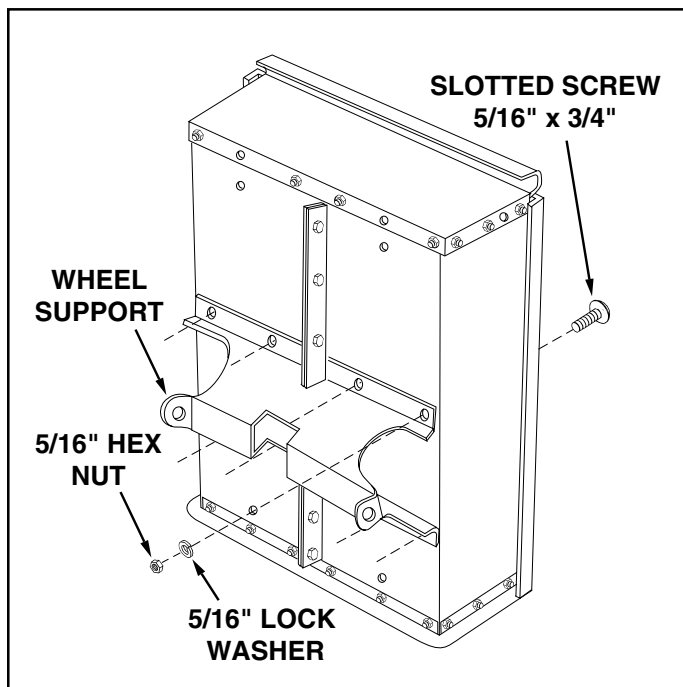


FIGURE 6

11. Assemble latch stand bracket using four 1/4" x 5/8" hex bolts, 1/4" lock washers and 1/4" hex nuts. See figure 7. **TIGHTEN**.

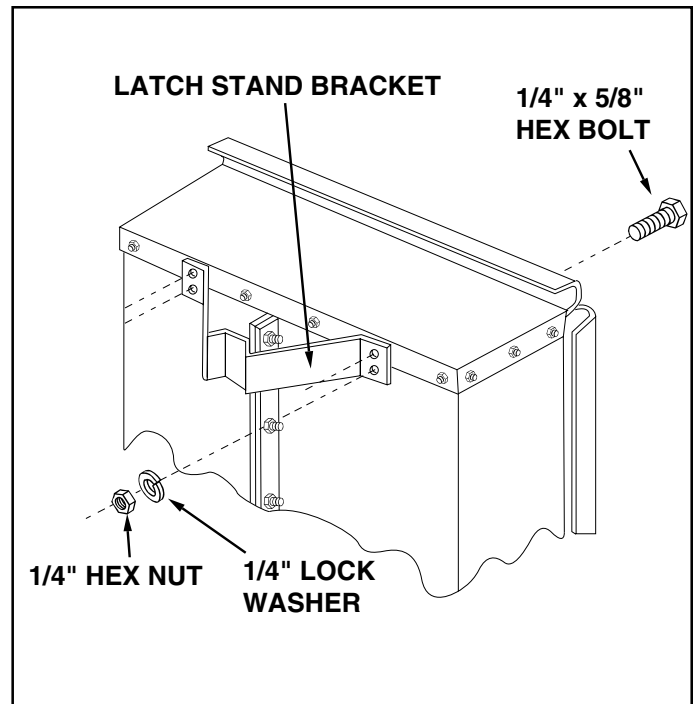


FIGURE 7

12. Assemble two front top corner caps using four 1/4" x 1/2" hex bolts, 1/4" lock washers and 1/4" hex nuts. Also assemble two 1/4" x 1/2" hex bolts, 1/4" lock washers and 1/4" hex nuts through top flanges and tailgate reinforcement bracket at the two rear corners. See figure 8. **TIGHTEN**.

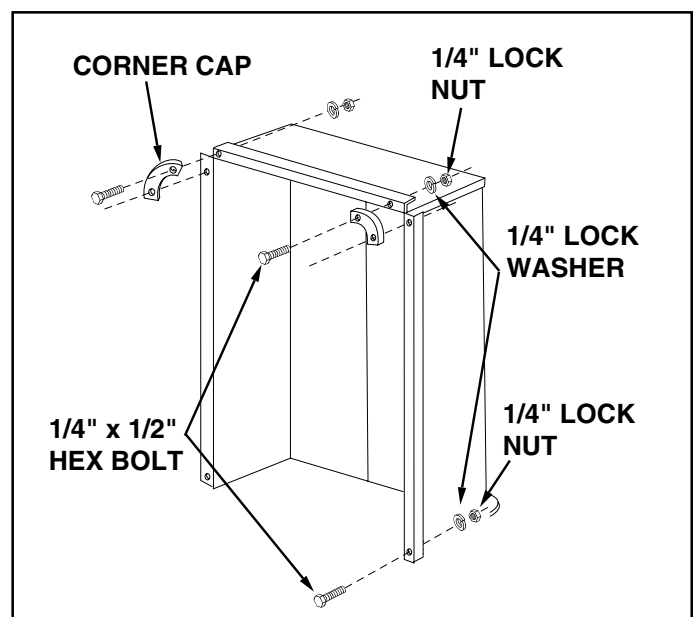


FIGURE 8

13. Lower the cart assembly to rest upside down on its top flanges, with wheel support up. See figure 11.
14. Assemble latch lock subassembly to drawbar tongue using two 1/4" x 5/8" long hex bolts, lock washers and hex nuts. **Tighten.** See figure 9.

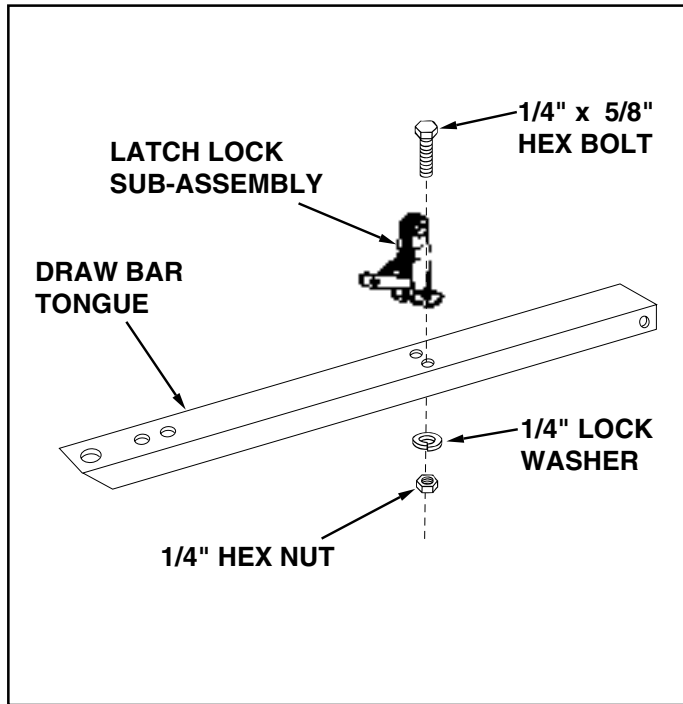


FIGURE 9

15. Assemble hitch bracket to drawbar tongue, using two 3/8" x 1" hex bolts, 3/8" lock washers and 3/8" hex nuts. See figure 10.

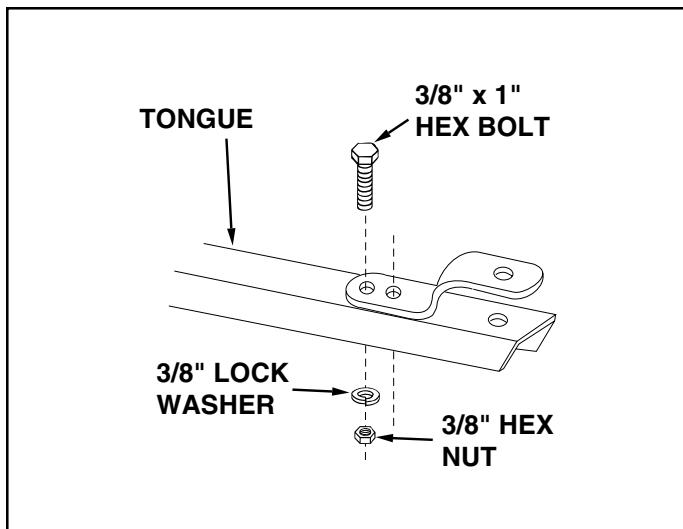


FIGURE 10

16. Assemble axle and drawbar tongue to wheel support keeping the open side of tongue facing away from cart. Make sure the latch lock snaps over the top of latch stand bracket. Secure axle to wheel support using two 1/4" x 1-3/4" hex bolts, lock washers and hex nuts. See figure 11.

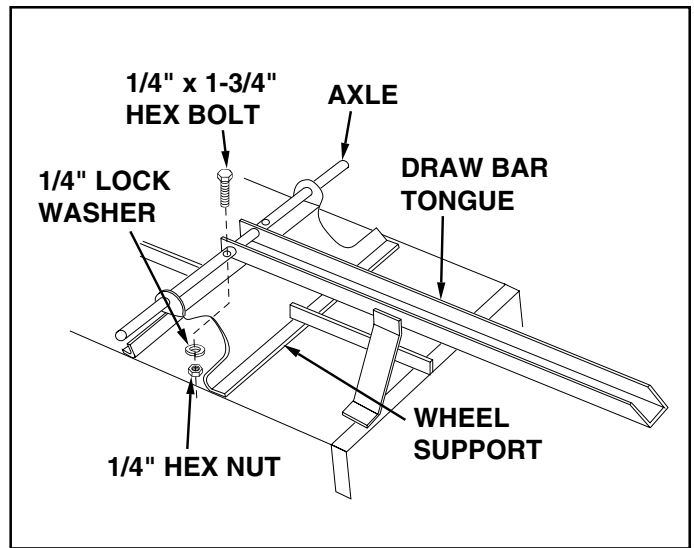


FIGURE 11

17. Assemble a spacer tube, a 1" flat washer, a wheel with the valve stem facing out, and another 1" flat washer onto the axle as shown in figure 12. Secure with a cotter pin and spread ends so that hub cap can fit over the cotter pin. Assemble the hub cap by pressing it onto the flat washer. Repeat for other end of axle.

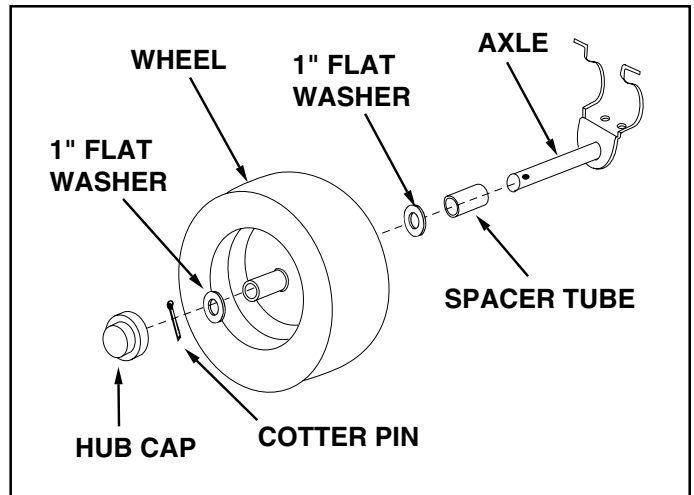


FIGURE 12

18. Turn cart over so that it rests right side up on its wheels.

19. To mount the tool holder brackets to the front of the cart it will be necessary to drill four holes in the front panel of the cart. (Recommended hole size is 9/32" diameter.) The tool bracket holders may be used to locate hole positions by placing the bracket against the front panel and marking the hole locations onto the front panel. The top tool holder bracket should be positioned equally from each side of the cart and even with the top edge of the front panel. The bottom tool holder bracket should be positioned equally from each side of the cart with the top of the bracket approximately six inches up from the bottom. See figure 13.
20. Press the protective edging strips over the top edge of both tool holder brackets. Mount the tool holder brackets on the inside of the front panel of the cart using four 1/4" x 1/2" hex bolts, 1/4" lock washers and 1/4" hex nuts. See figure 13.

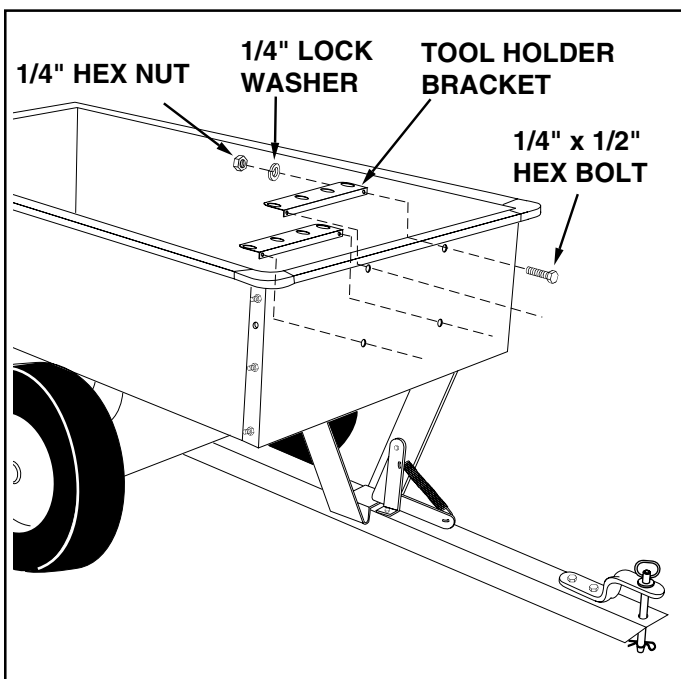


FIGURE 13

21. Place the tailgate down into the tailgate guides so that the holes in bottom lip of tailgate fit over heads of slotted head screws in bottom of cart. This completes the assembly of your cart.

GENERAL SAFETY PRECAUTIONS

Preventing accidents is the responsibility of every equipment operator. The following general safety precautions must be fully understood and followed by every operator.

1. Do not at any time carry passengers in this cart. It is designed for carrying materials only and not intended to carry passengers.
2. Do not tow this utility cart on a public thoroughfare at any time. The operator is risking injuries from passing vehicles. Most local ordinances prohibit operating a cart and tractor such as this on a public thoroughfare.
3. When towing cart do not drive too close to a creek or ditch and be alert for holes and other hazards. The above could cause you to lose control of the cart and tractor.
4. Be careful on any grade (hill) and stay off of steep grades.
5. Maximum towing speed - 10 M.P. H.

OPERATION

To dump material from the cart, remove the tailgate by lifting it straight up and out from between the guides. Release the spring latch by pulling the latch handle forward, away from the cart. The cart bed will tilt backwards to empty its contents. After unloading, pull the front of the bed down toward the cart tongue until the latch snaps in place. Replace the tailgate if desired.



To avoid possible injury, be sure that no one is near the trailer before releasing the latch.

NOTE

For best handling, do not load cart too heavily behind center of axle.

MAINTENANCE:

At the beginning of each season, lubricate the latch, latch pivot bolt, and the axle where the draw bar tongue pivots, with a light machine oil.

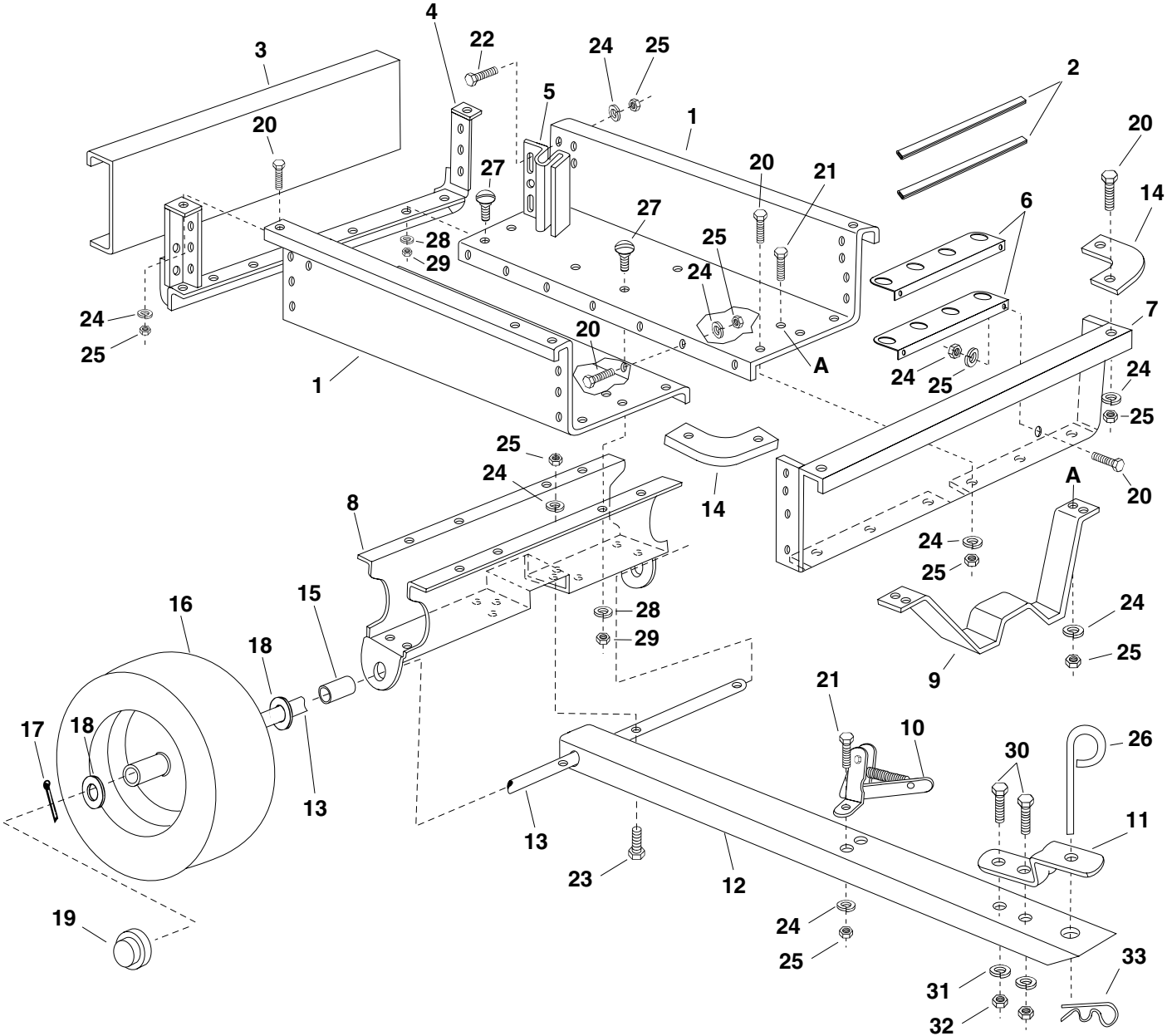
1. Grease or oil wheel bearings occasionally. Use automotive wheel bearing type grease or 20 weight oil.
2. Keep tires filled to recommended tire pressure of 12-14 Lbs.

NOTE

One cubic foot of dirt weighs approximately 150 lbs.
DO NOT EXCEED WEIGHT CAPACITY OF 1000 LBS.

Bed:	18 Ga. Steel Construction-32-1/2" W; 49"L; 12"H; Approx. Inside Dim.-30" x 46-1/2"
Tailgate:	Removable with reinforced guides
Tires:	15.00" x 6.0" Pneumatic, Turf Tread
Axle:	1.0" Dia. Steel
Capacity:	Up to 1000 Lbs.
Finish:	Powder Coated
Approx. Sh. Wt.:	116Lbs.
Carton Size:	18"H x 21"W x 49"L (10.72 Cu.Ft.)

REPAIR PARTS FOR: UTILITY CART MODEL NO. 45-0240



REPAIR PARTS LIST FOR UTILITY CART MODEL NO. 45-0240

REF. NO.	PART NO.	QTY.	DESCRIPTION
1	23985	2	Cart Body
2	46138	2	Protective Edging Strip
3	23502	1	Tailgate
4	62458	1	Tailgate Reinforcement Bracket
5	23767	2	Guide, Tailgate - One Piece
6	23918	2	Tool Holder Bracket
7	23492	1	Front Panel
8	23507	1	Wheel Support
9	23297	1	Latch Stand Bracket
10	62455	1	Ass'y, Latch Lock
11	23014	1	Hitch Bracket
12	23988	1	Draw Bar Tongue
13	23488	1	Wheel Axle 1" Dia.
14	23484	2	Cap, Front Corner
15	44678	2	Sleeve Tube (Spacer)
16	46272	2	Wheel, 15.00 x 6.00
17	43093	2	Cotter Pin, 1/8" Dia. x 1-1/2"
18	43601	4	Washer, Flat 1.032" ID
19	43014	2	Hub Cap
20	43175	27	Hex Bolt, 1/4" x 1/2"
21	43866	6	Hex Bolt, 1/4" x 5/8"
22	43012	6	Hex Bolt, 1/4" x 3/4"
23	1509-69	2	Hex Bolt, 1/4" x 1-3/4"
24	43177	41	Lock washer, 1/4" ID
25	43178	41	Hex Nut, 1/4" Thread
26	23353	1	Hitch Pin
27	43814	14	Slotted Truss Hd Bolt 5/16" x 3/4" Lg.
28	43086	14	Lock Washer 5/16" ID
29	43083	14	Hex Nut 5/16" Thread
30	43001	2	Hex Bolt, 3/8" x 1"
31	43003	2	Lock Washer, 3/8" ID
32	43015	2	Hex nut, 3/8" Thread
33	43343	1	Hairpin Cotter
	46274	1	Owner's Manual

* Purchase Common Hardware Locally

REPAIR PARTS
303 West Raymond
Sullivan, IL. 61951
217-728-8388