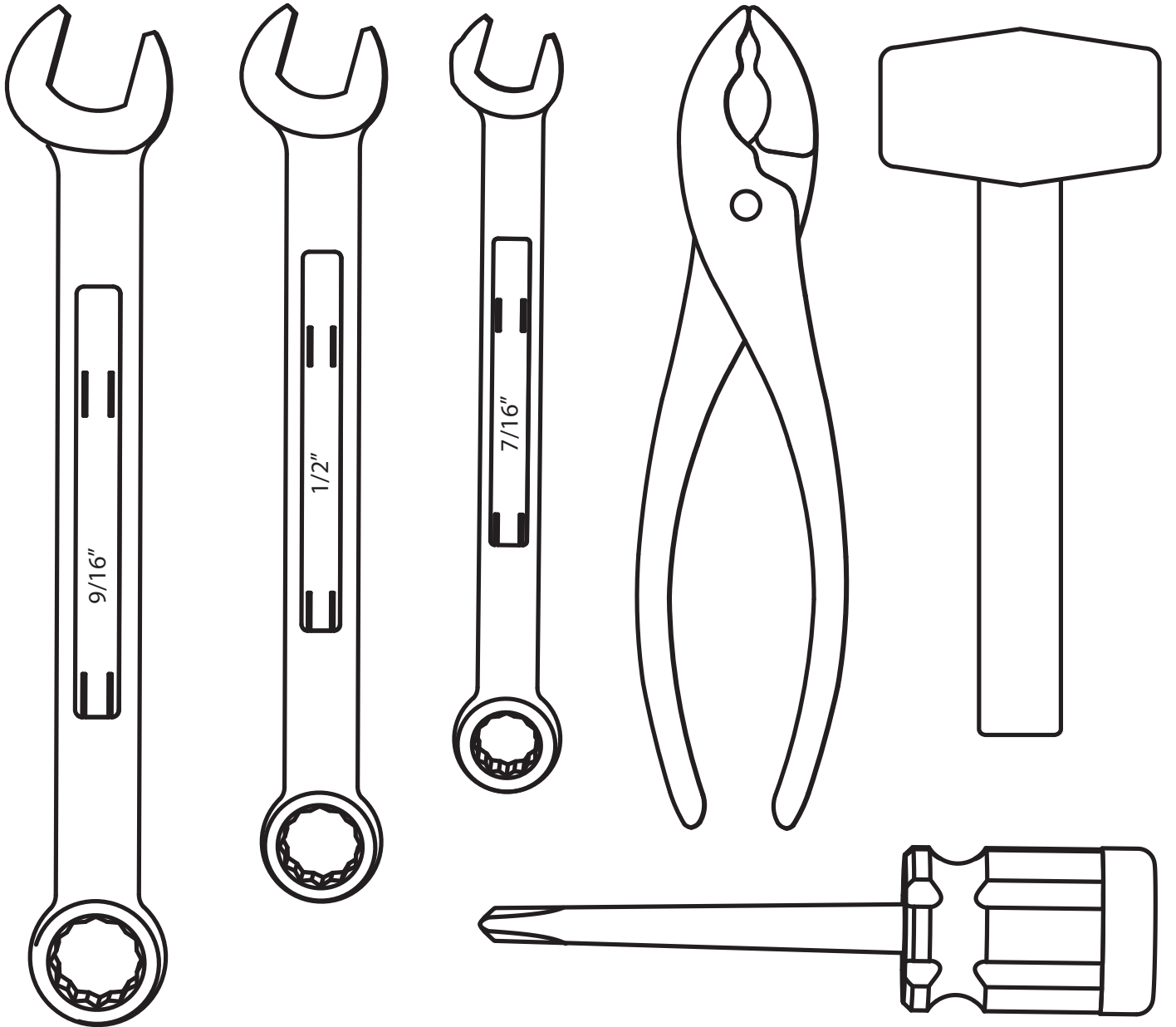
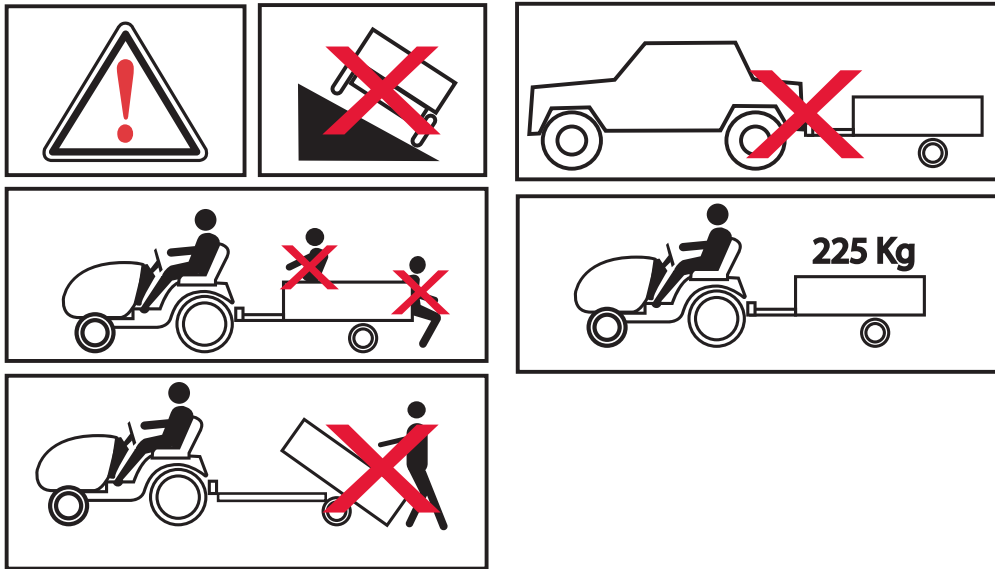
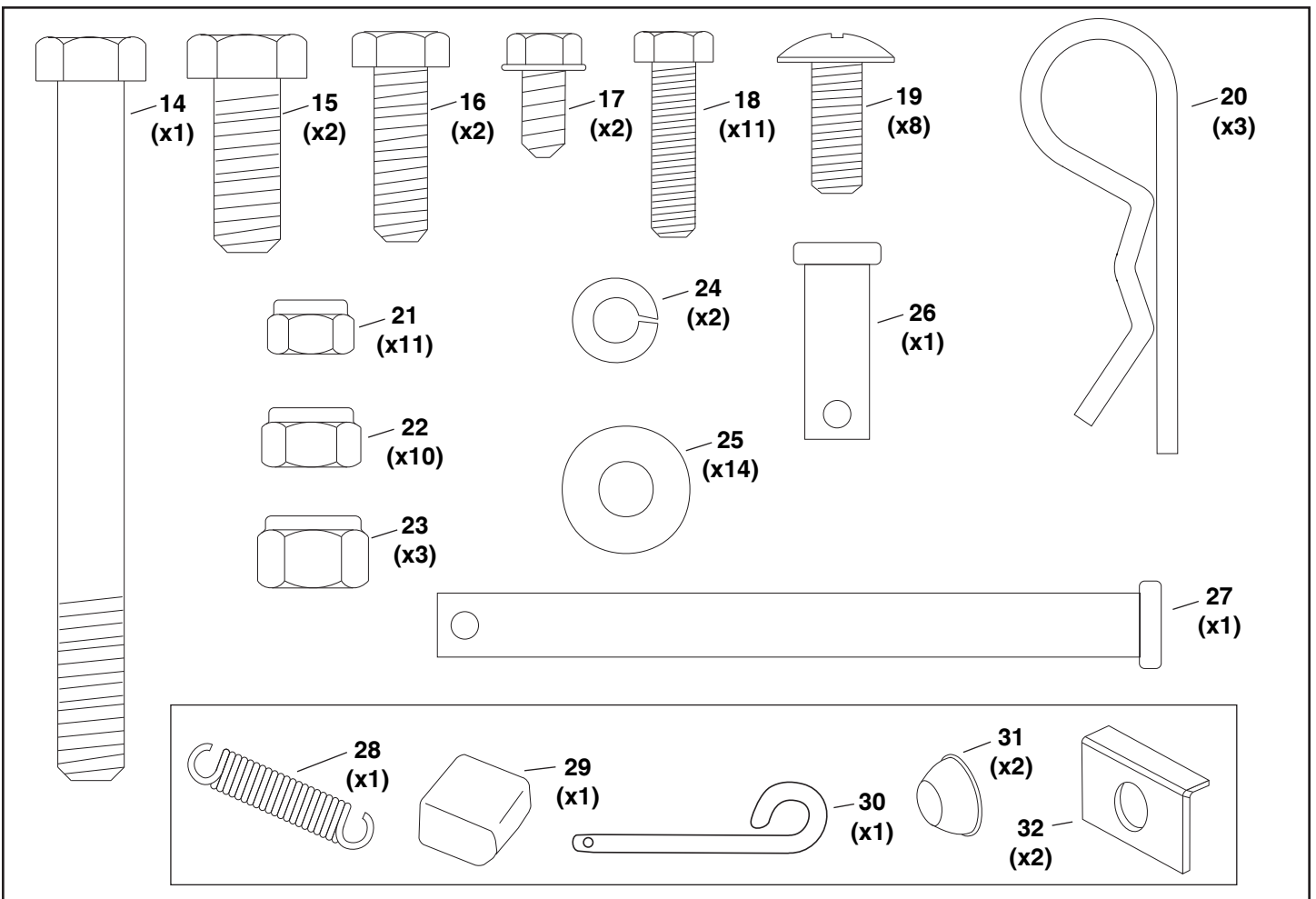
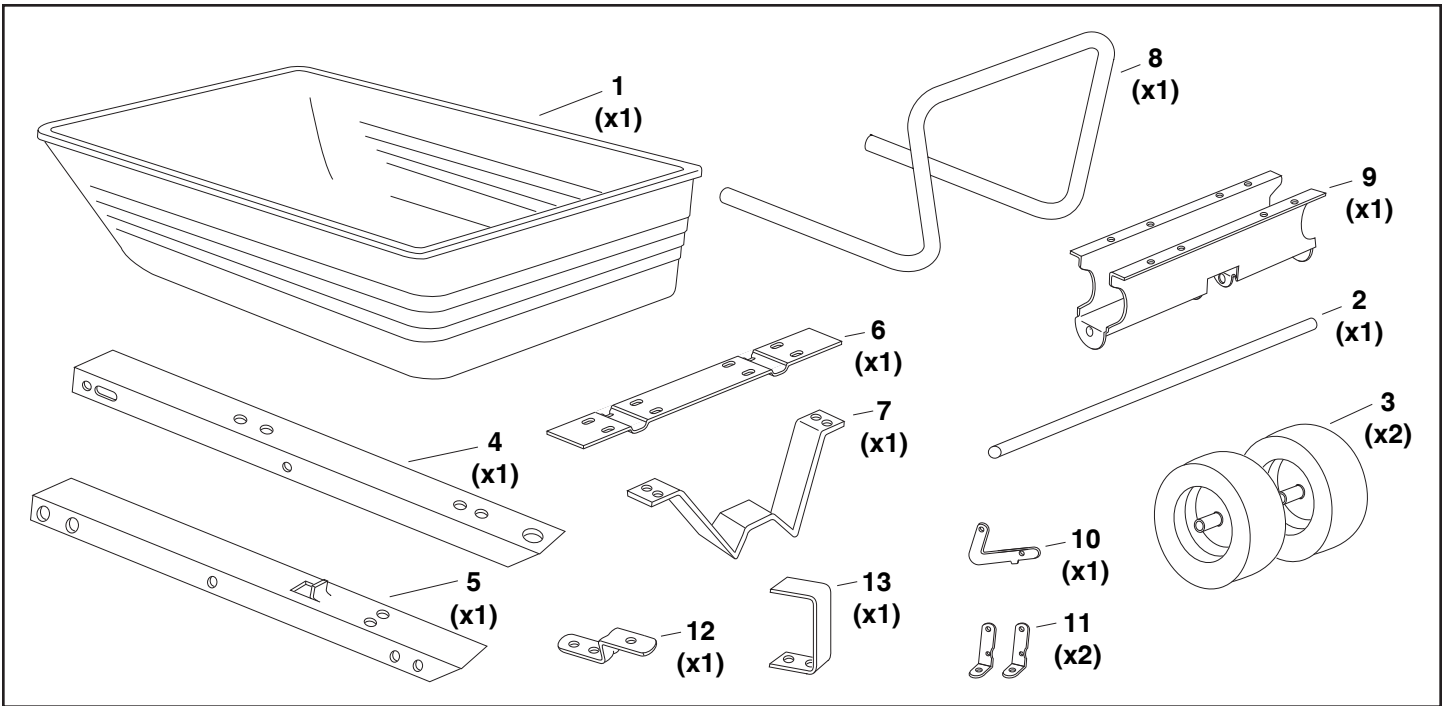


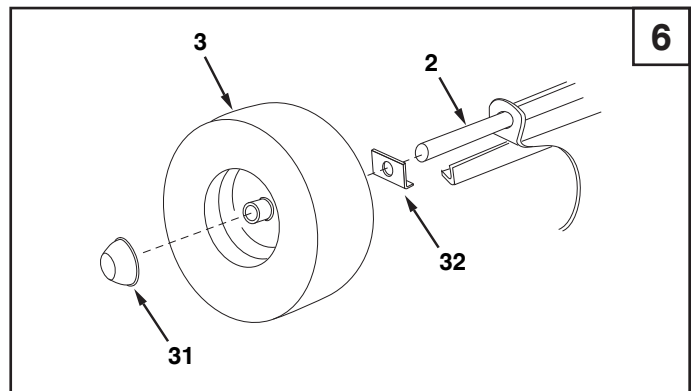
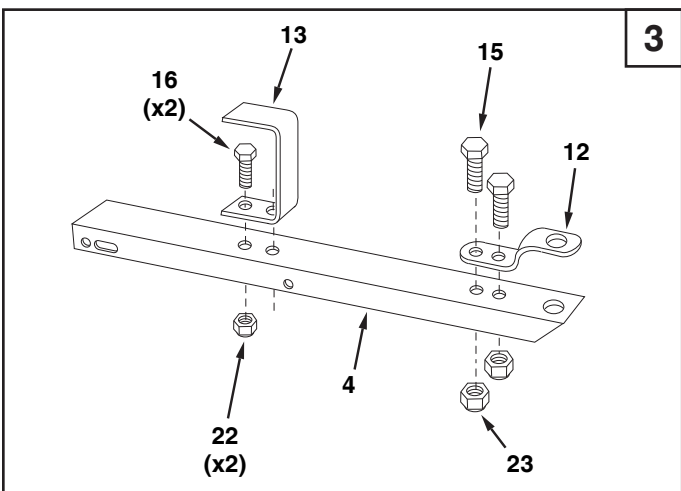
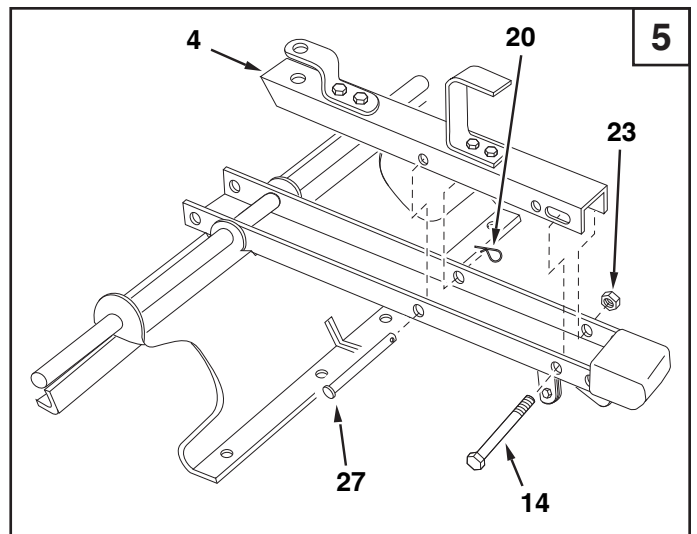
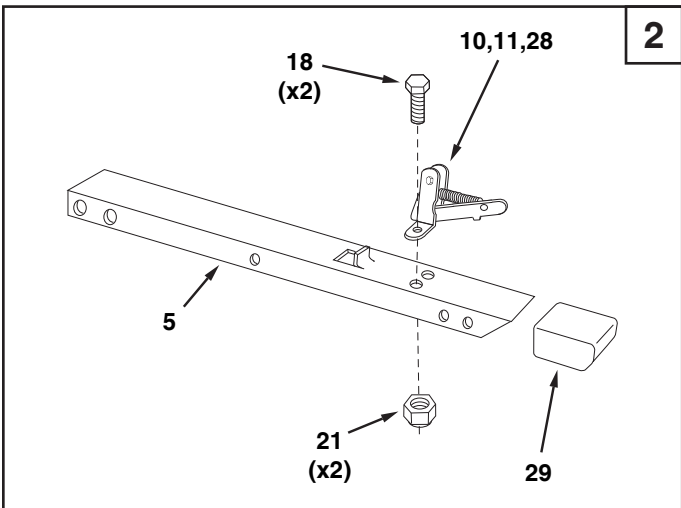
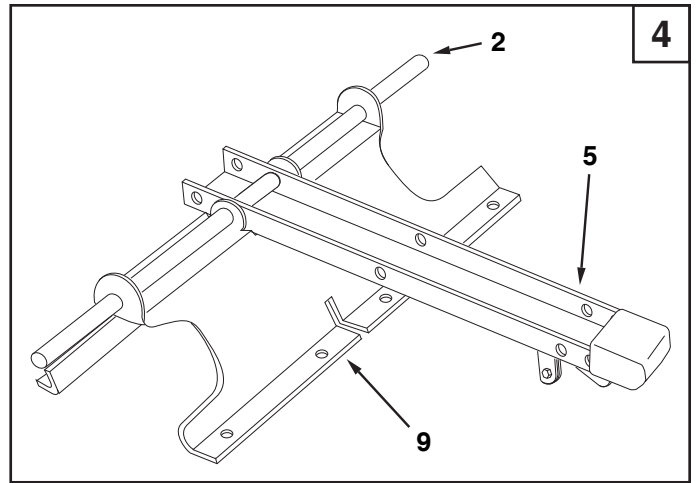
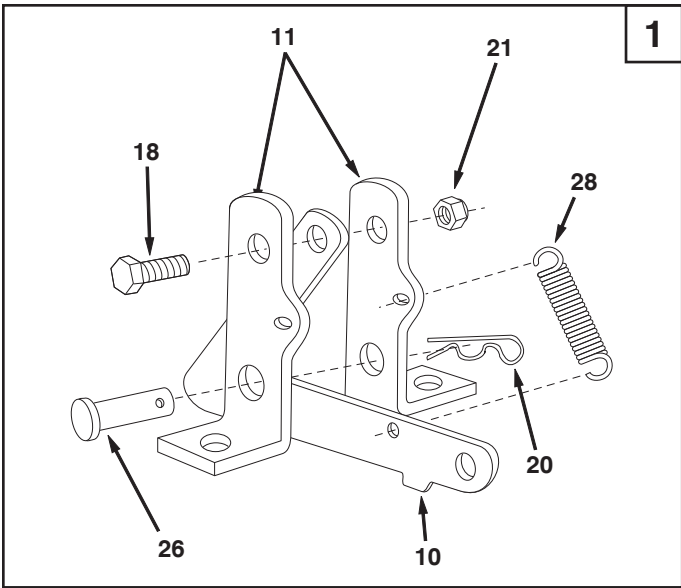
45-03451-062

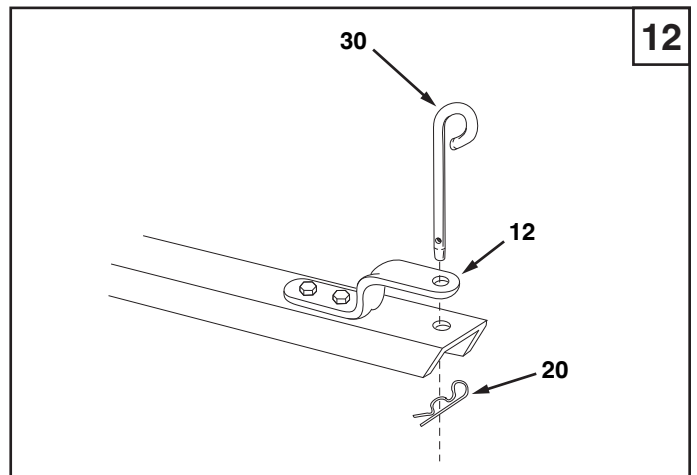
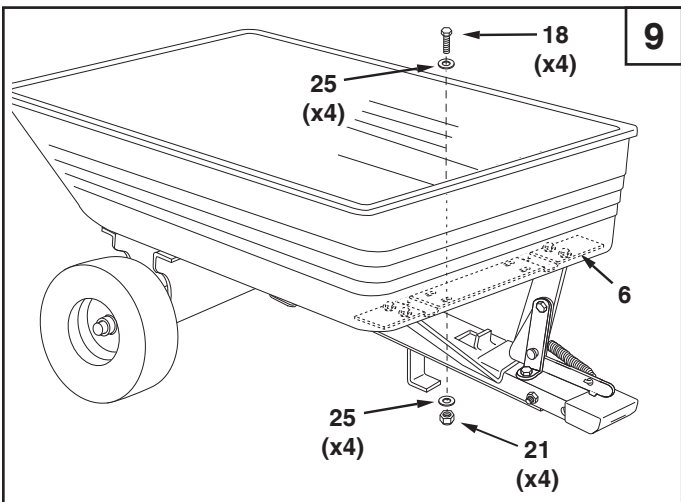
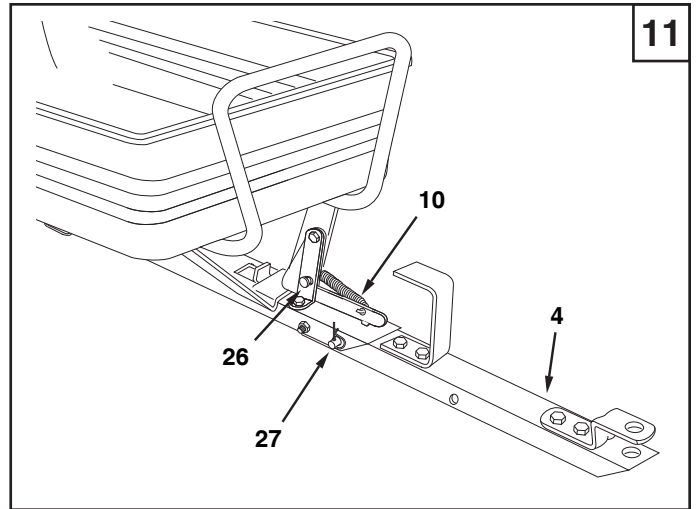
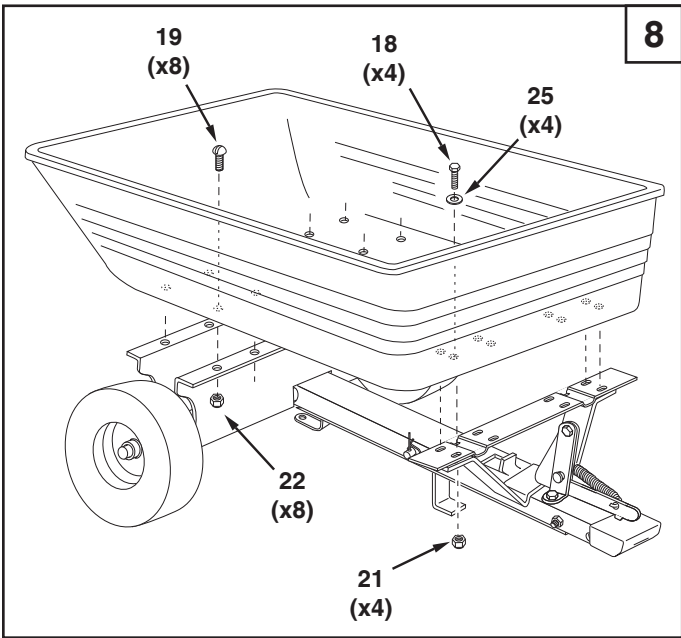
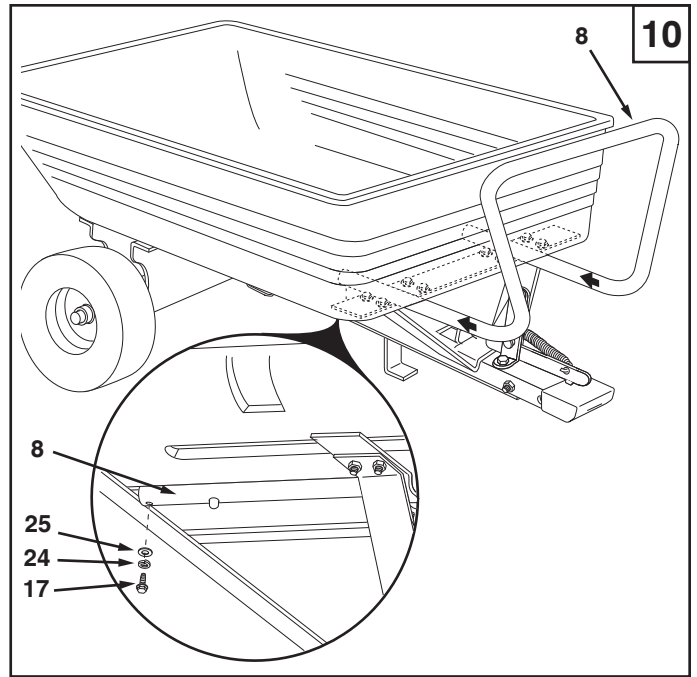
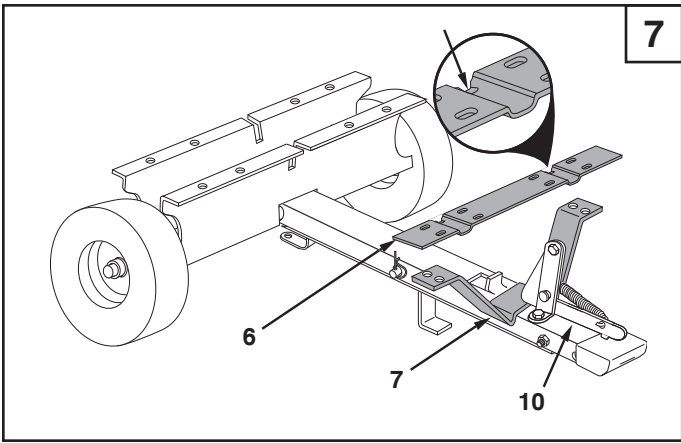
45-03451-085

45-03451-997

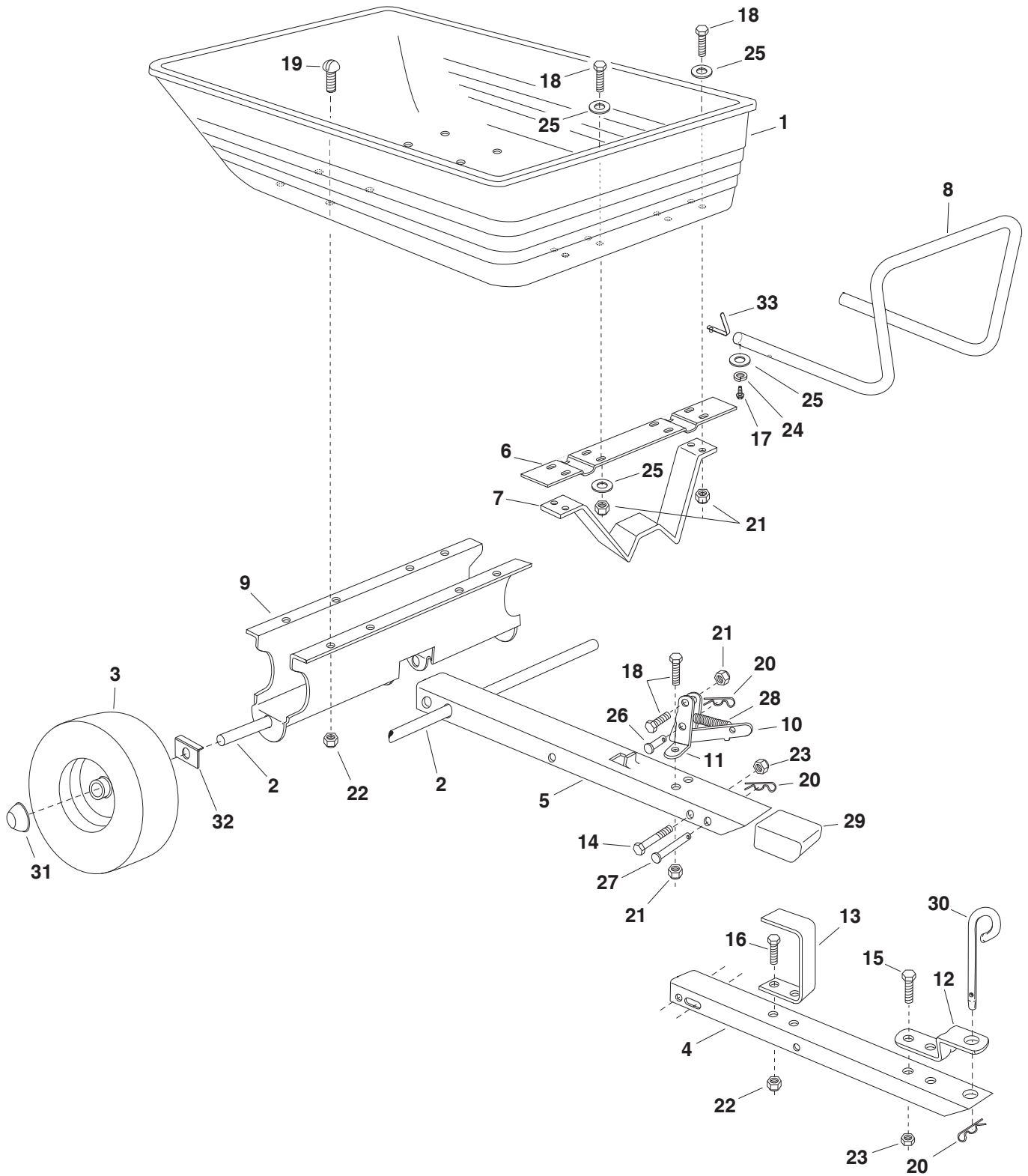








45-03451-062, 45-03451-085, 45-03451-997



45-03451-062, 45-03451-085, 45-03451-997

REF. NO.	PART NO.	QTY	DESCRIPTION
1	40472	1	Poly Tray
2	24908	1	Axle
3	48497	2	Wheel
4	24392	1	Tongue, Front
5	24391	1	Tongue, Rear
6	25274	1	Latch Stand Plate
7	23297	1	Latch Stand Bracket
8	48955	1	Handle Tube
9	24527	1	Wheel Support
10	62020	1	Latch Lock
11	23470	2	Bracket, Latch Mount
12	23014	1	Hitch Bracket
13	24390	1	Leg Stand Bracket
14	43036	1	Hex Bolt, 3/8-16 x 4"
15	43001	2	Hex Bolt, 3/8-16 x 1"
16	43063	2	Hex Bolt, 5/16-18 x 1"
17	48840	2	Screw, 1/4-20 x 1/2"
18	43661	11	Hex Bolt, 1/4-20 x 1"
19	43814	8	Slotted Truss Head Bolt, 5/16-18 x 3/4"
20	43343	3	Hairpin, Cotter 1/8"
21	47189	11	Nylock Nut, 1/4-20
22	47810	10	Nylock Nut, 5/16-18
23	HA21362	3	Nylock Nut, 3/8-16
24	43177	2	Lock Washer, 1/4"
25	43088	14	Flat Washer, 1/4"
26	45091	1	Clevis Pin, 3/8" x 1"
27	47029	1	Clevis Pin, 3/8" x 4"
28	43000	1	Extension Spring
29	47038	1	Plastic Cap
30	23353	1	Hitch Pin
31	48499	2	Hub Cap
32	25910	2	Axle Clip
33	49166	2	Detent Button
	40462	1	Owner's Manual

REPAIR PARTS

Agri-Fab, Inc.
303 West Raymond
Sullivan, IL. 61951
217-728-8388
www.agri-fab.com

This document (or manual) is protected under the U.S. Copyright Laws and the copyright laws of foreign countries, pursuant to the Universal Copyright Convention and the Berne convention. No part of this document may be reproduced or transmitted in any form or by any means, electronic or mechanical, including photocopying or recording, or by any information storage or retrieval system, without the express written permission of Agri-Fab, Inc. Unauthorized uses and/or reproductions of this manual will subject such unauthorized user to civil and criminal penalties as provided by the United States Copyright Laws.