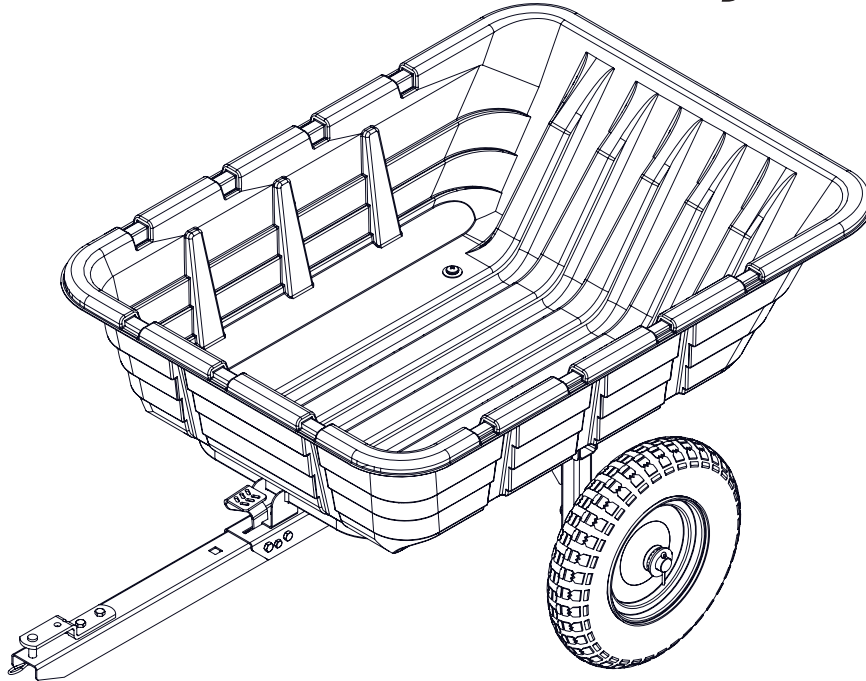


# Agri-Fab®

## Lawn Care Made Easy®



### 45-0573

## THANK YOU FOR YOUR PURCHASE!

Without your product review, we don't exist.

If you are happy with our quality products & service,  
please take just a moment to leave positive feedback and  
a short review of our product on our website or your retailer's website.

### Not totally satisfied?

If you have any issues, don't hesitate to contact us.  
We make mistakes sometimes, but please give us the chance  
to make it right before leaving negative feedback against our product.

Customer Care  
M-F 7:00 a.m. - 5:00 p.m. CST  
800-448-9282  
www.agri-fab.com

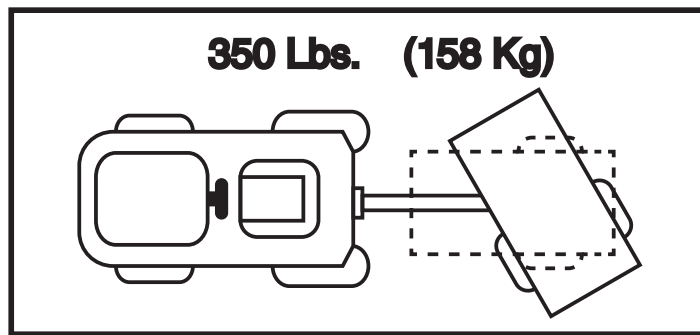
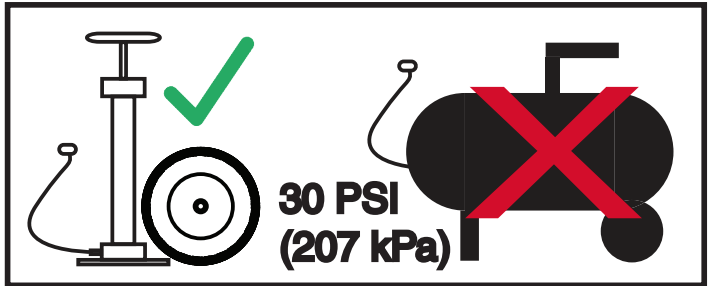
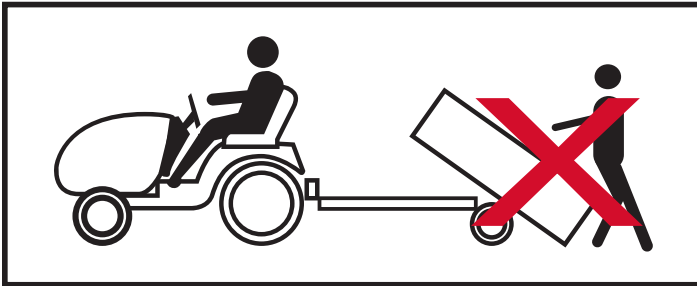
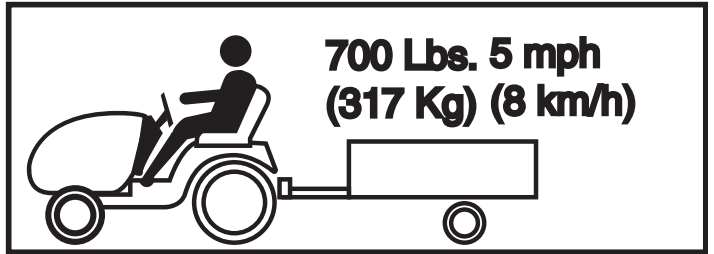
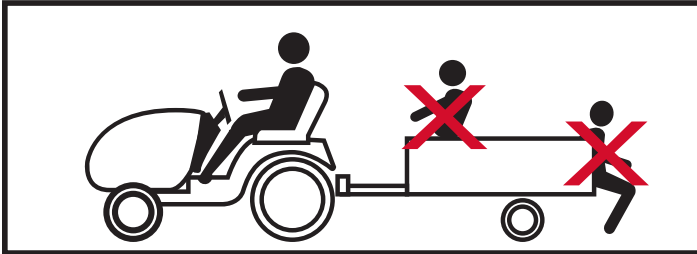
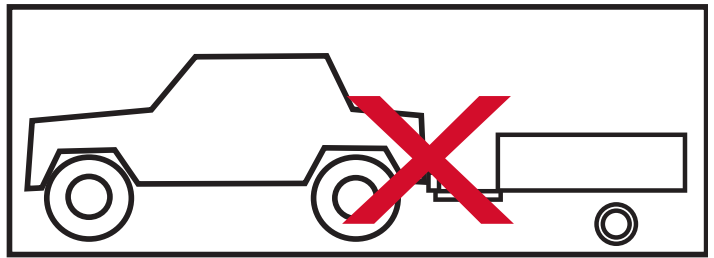
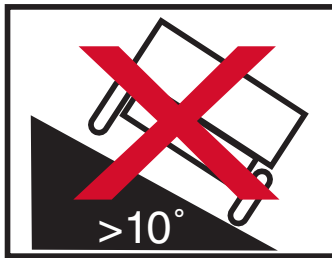


Want more information or assembly tips?





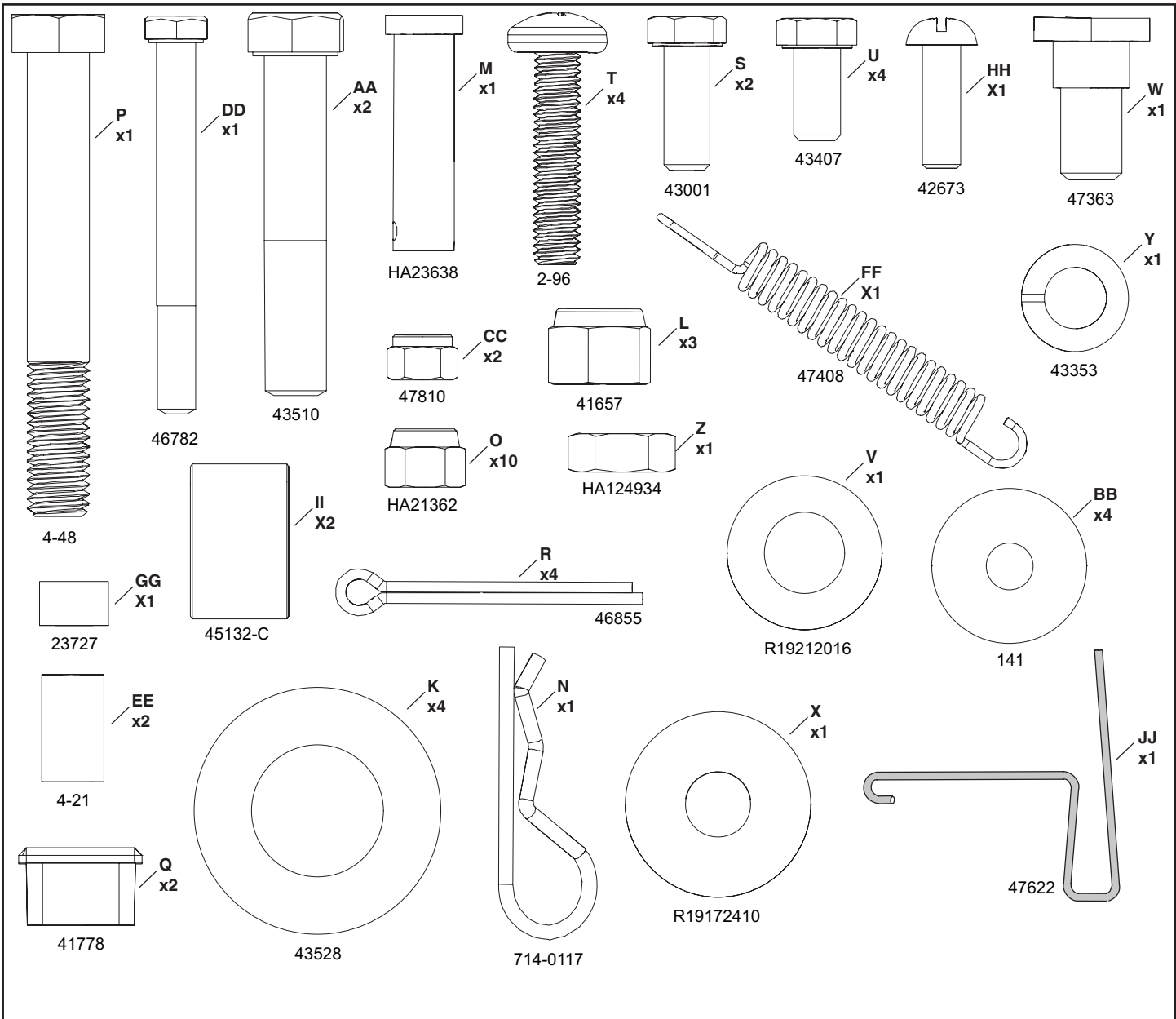
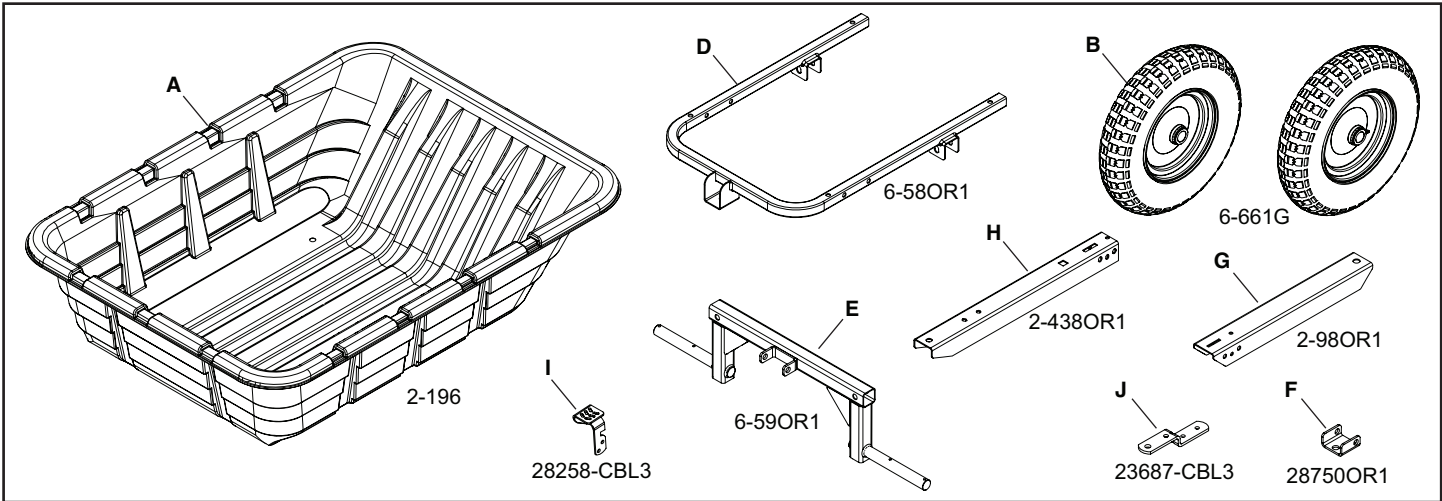
**Video  
Instruction  
Guide**

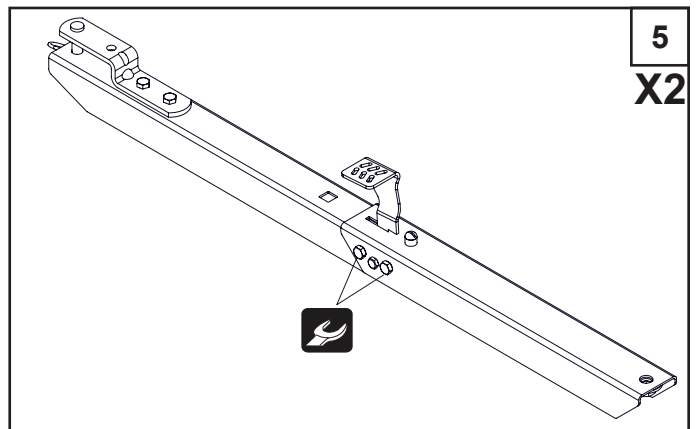
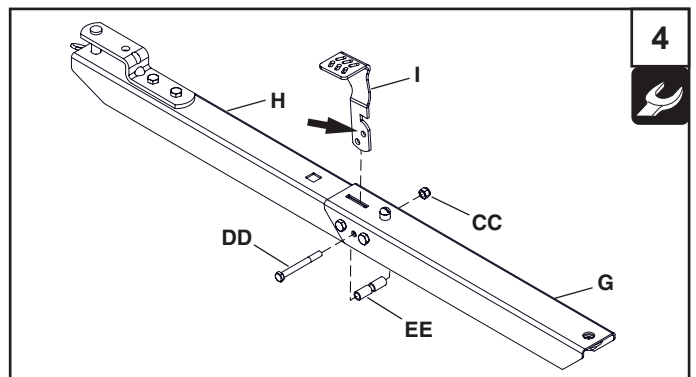
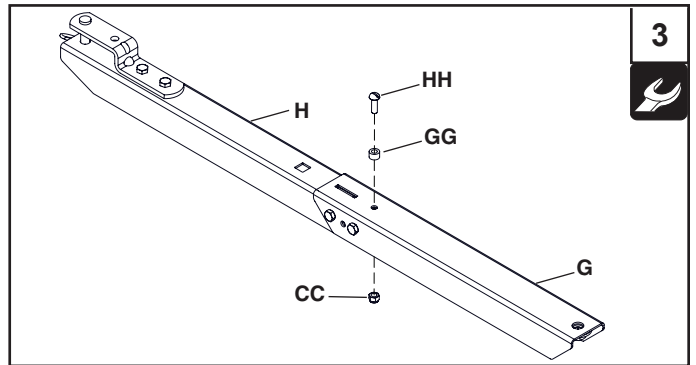
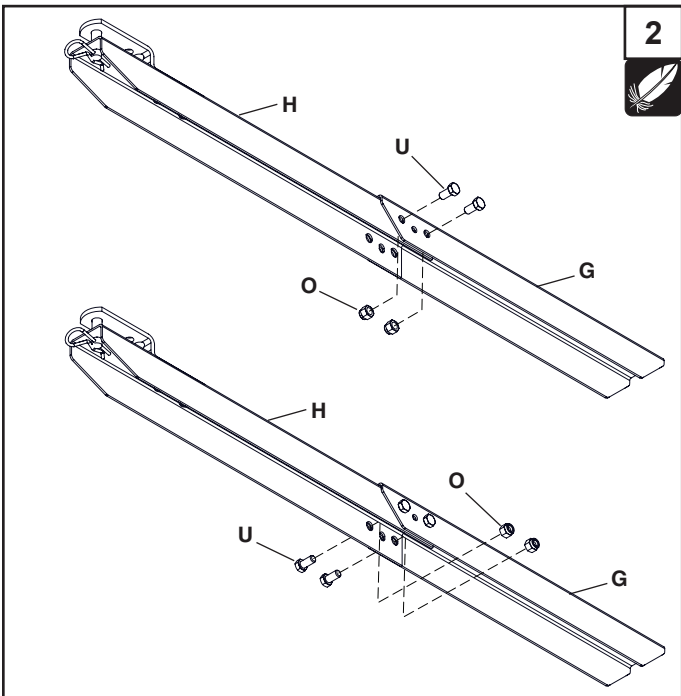
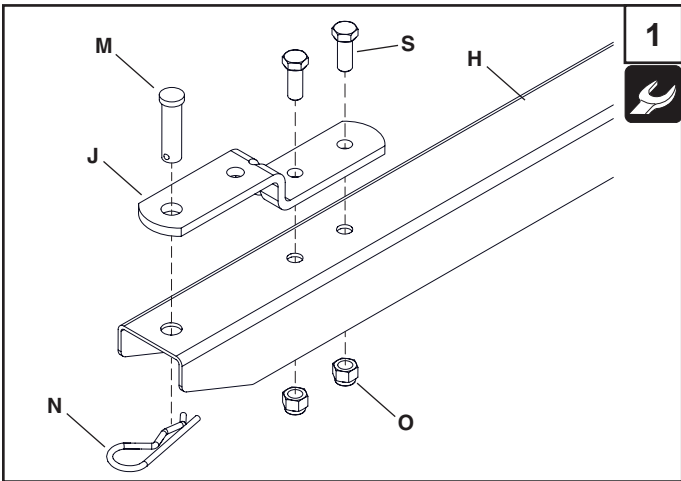
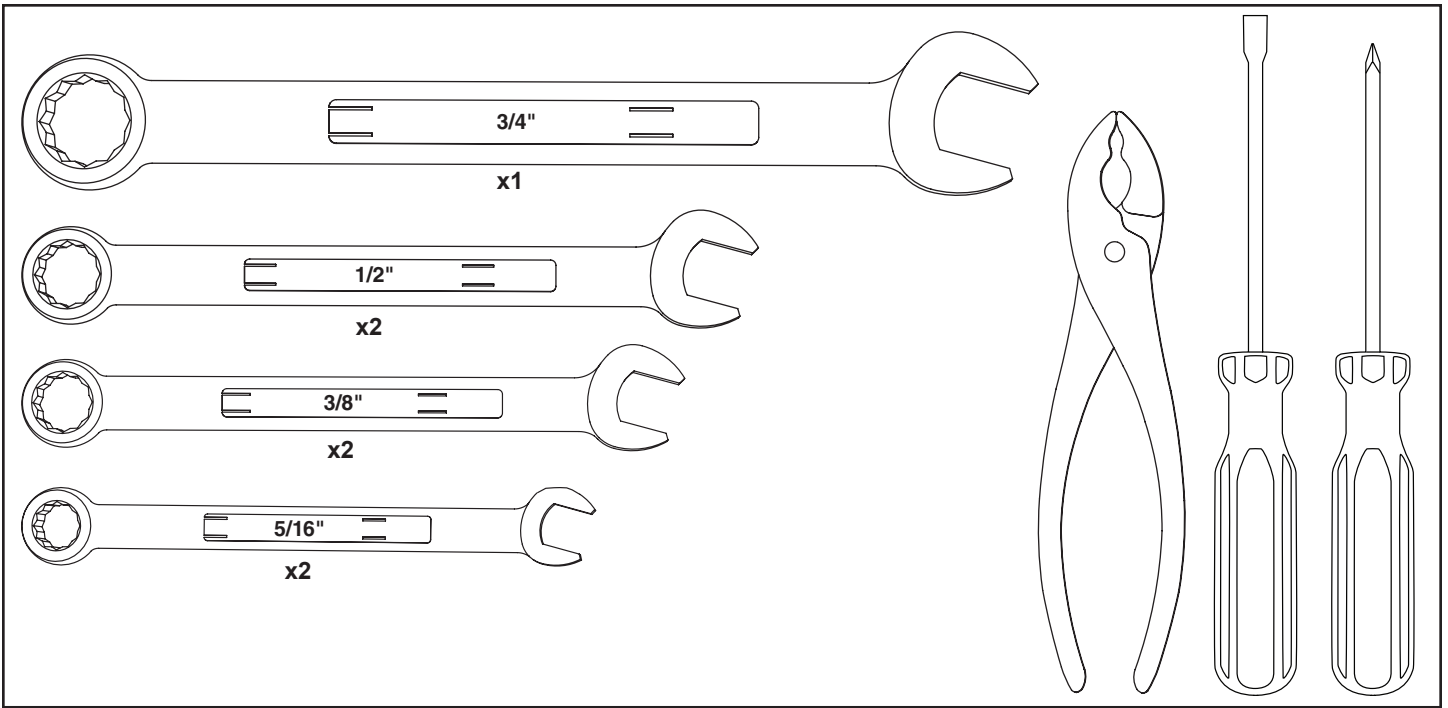
**[youtube.com/c/agrifab](https://www.youtube.com/c/agrifab)**

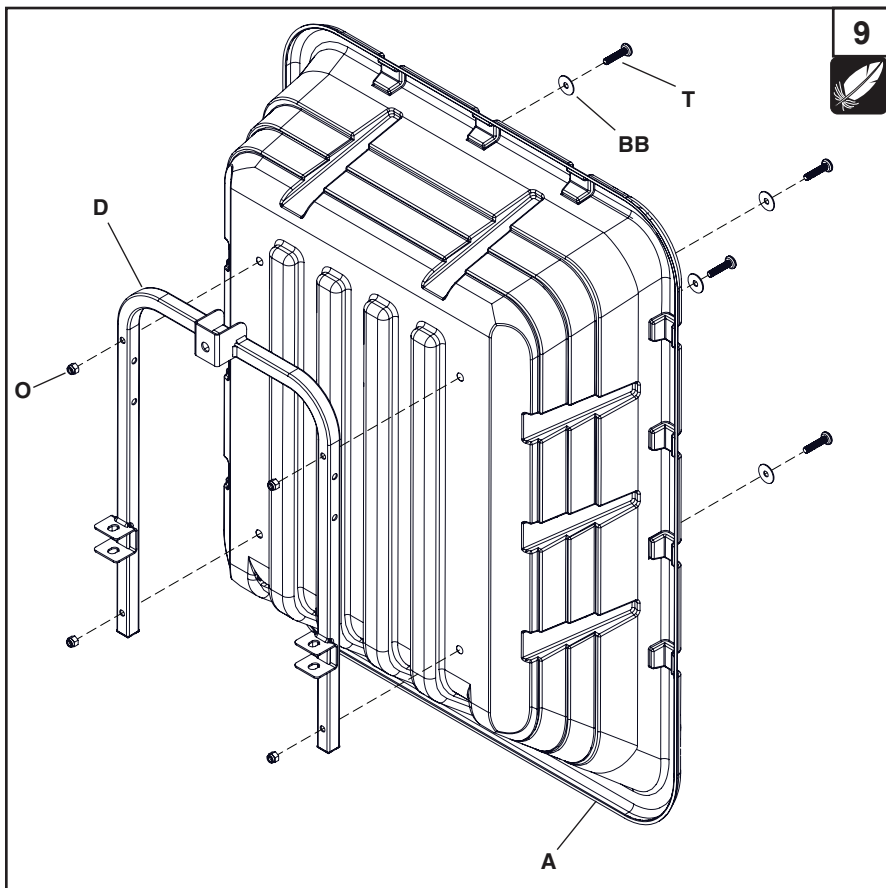
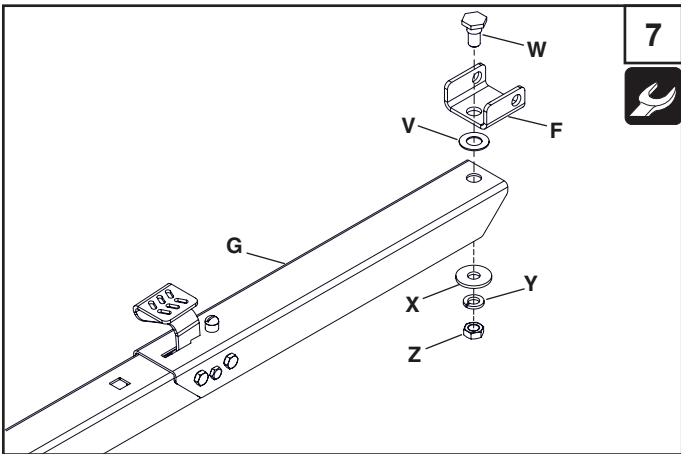
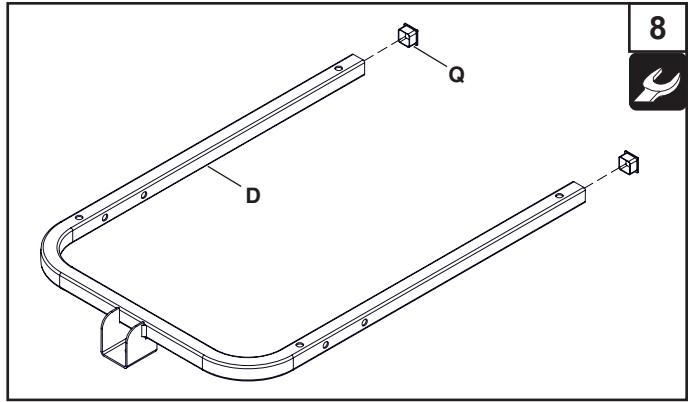
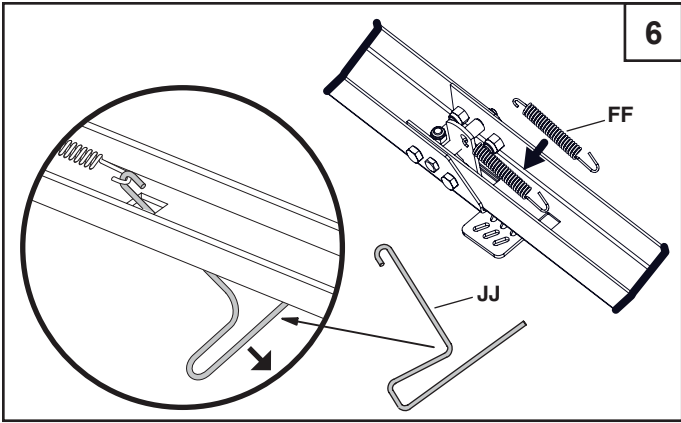


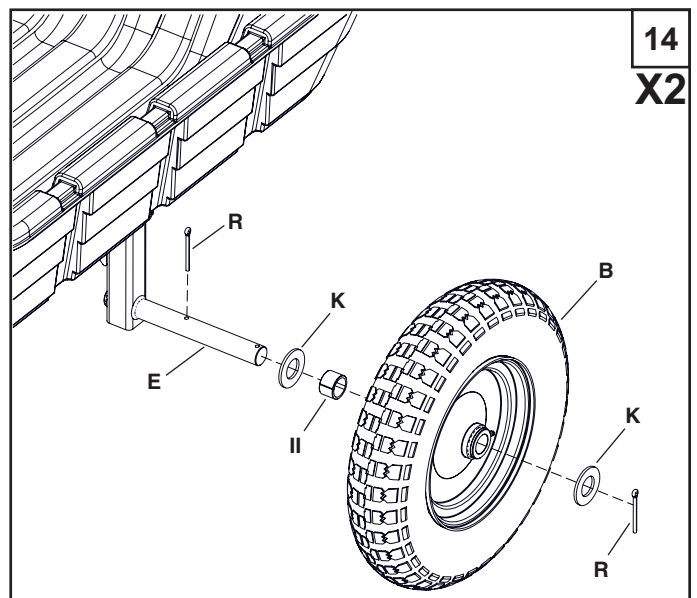
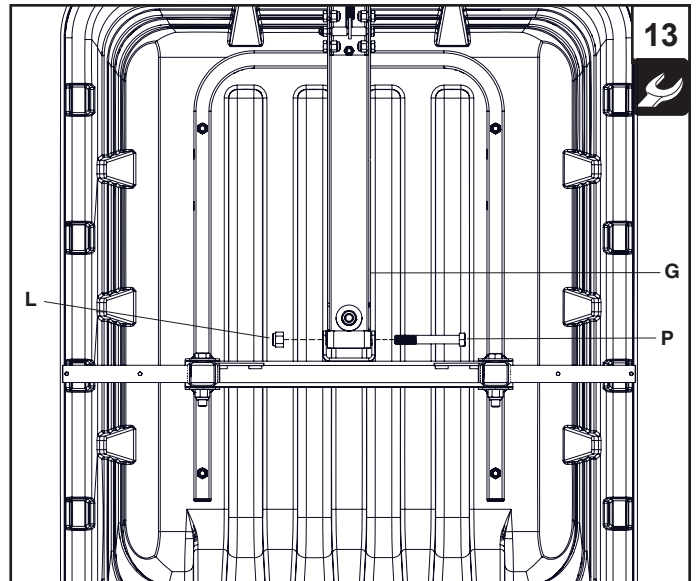
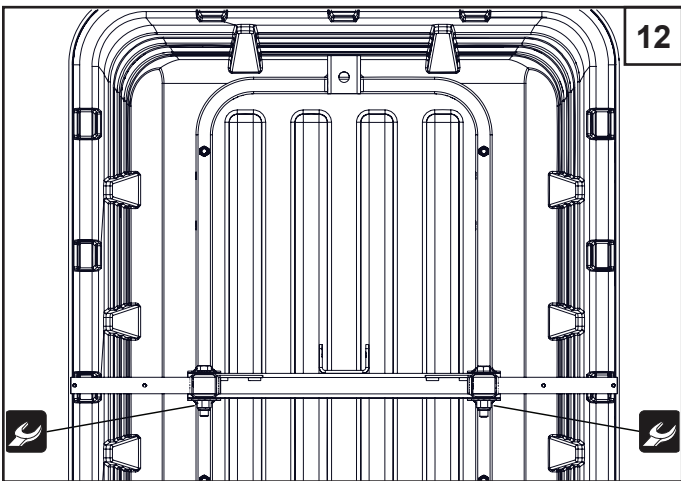
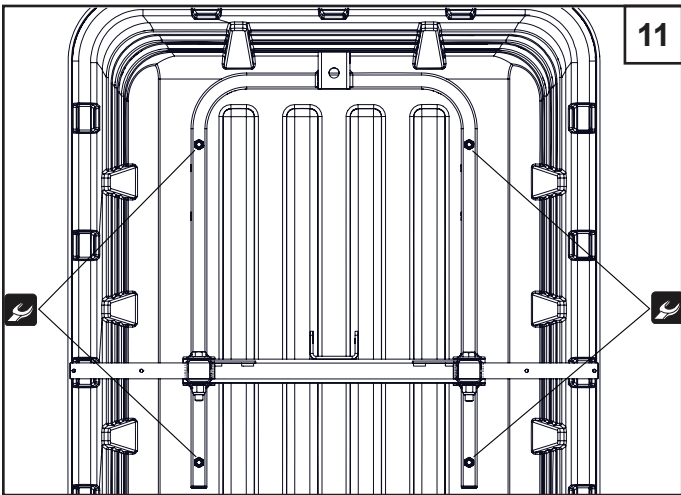
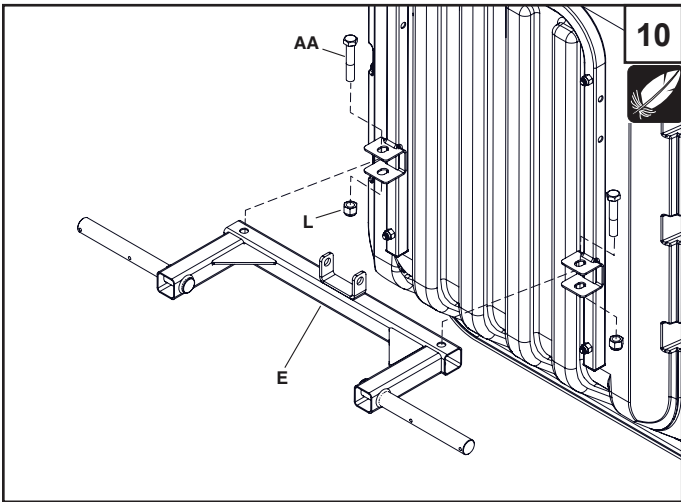
 <b>WARNING</b>	 <b>¡ATENCIÓN!</b>	 <b>ATTENTION</b>
<ol style="list-style-type: none"> <li>DO NOT CARRY PASSENGERS</li> <li>DO NOT EXCEED MAXIMUM TOWING SPEED</li> <li>NOT FOR HIGHWAY USE</li> <li>DO NOT EXCEED LOAD CAPACITY</li> <li>STAY OFF STEEP SLOPES AND GRADES</li> <li>VEHICLE BRAKING AND STABILITY WILL BE AFFECTED BY HEAVY LOADS</li> <li>REFER TO MANUAL FOR FULL INSTRUCTIONS</li> </ol>	<ol style="list-style-type: none"> <li>NO CARGUE PASAJEROS</li> <li>NO EXCEDA LA VELOCIDAD MÁXIMA DE REMOLQUE</li> <li>NO USE EN LA CARRETERA</li> <li>NO EXCEDA LA CAPACIDAD DE CARGA DE LA CARRETILLA</li> <li>EVITE LAS SUBIDAS Y BAJADAS EMPINADAS</li> <li>LA HABILIDAD DE FRENAR Y LA ESTABILIDAD SERÁN AFECTADAS CON CARGAS MAYORES</li> <li>VEA EL MANUAL PARA LAS INSTRUCCIONES COMPLETAS</li> </ol>	<ol style="list-style-type: none"> <li>NE PAS TRANSPORTER DE PASSAGERS</li> <li>NE PAS DÉPASSER LA VITESSE MAXIMALE DU REMORQUAGE</li> <li>NE PAS UTILISER L'AUTOROUTE</li> <li>NE PAS DÉPASSER LA CAPACITÉ DE CHARGE</li> <li>GARDER LES PISTES ET LES GRADES</li> <li>LE FREINAGE ET LA STABILITÉ DU VÉHICULE SERONT TOUCHÉS PAR DES CHARGES LOURDES</li> <li>CONSULTEZ LE MANUEL POUR DES INSTRUCTIONS COMPLÈTES</li> </ol>
  		

	TIGHTEN / APRETAR / SERRER
	DO NOT TIGHTEN YET / NO APRIETE AÚN / NE PAS SERRER ENCORE

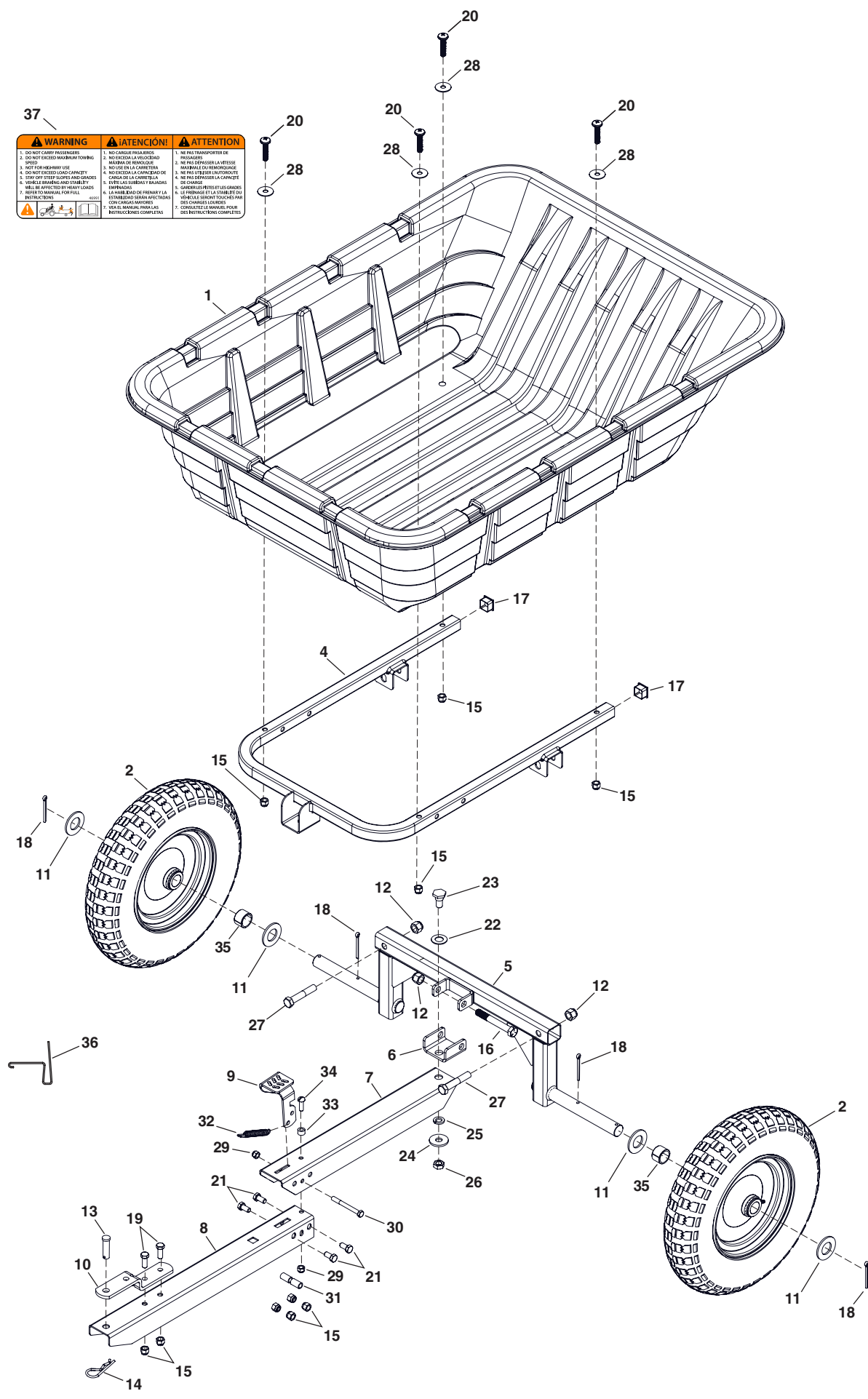








⚠️ WARNING	⚠️ ¡ATENCIÓN!	⚠️ ATTENTION
1. DO NOT CARRY PASSENGERS	1. NO CARGAR PASAJEROS	1. NE PAS TRANSPORTER DE PASSENGERS
2. DO NOT EXCEED MAXIMUM TOWING SPEED	2. NO EXCEDER LA VELOCIDAD MÁXIMA DE REMOLQUE	2. NE PAS DÉPASSER LA VITESSE MAXIMALE DE REMORQUAGE
3. DO NOT OPERATE ON STEEP SLOPES	3. NO USAR EN LA CARGA EN PENDIENTES FUERTES	3. NE PAS TRAVAILER SUR PENTES RAIDES
4. STAY OFF STEEP SLOPES AND GRADES	4. EVITE LAS LADERAS Y LAS CLIVAS EMPINADAS	4. NE PAS DÉPASSER LA CAPACITÉ DE CHARGE
5. WEEDS AND ROCKS MAY BE AFFECTED BY HEAVY LOADS	5. LAS MALBAS Y LAS PIEDRAS PODRÁN AFECTARSE POR CARGAS PESADAS	5. GAZONS ET PIERRES PEUVENT ÊTRE AFFECTÉS PAR DES CHARGES LOURDES
6. REFER TO MANUAL FOR FULL INSTRUCTIONS	6. CONSULTE EL MANUAL PARA OBTENER INSTRUCCIONES COMPLETAS	6. CONSULTE LE MANUEL POUR OBTENIR DES INSTRUCTIONS COMPLÈTES



# 45-0573

REF	QTY	PART NO	DESCRIPTION	REF	QTY	PART NO	DESCRIPTION
1	1	2-196	BED, POLY	20	4	2-96	BOLT, TRUSS HEAD 3/8-16 X 1.75
2	2	6-661G	WHEEL, 16 X 4.00 X 1 ID GRAY	21	4	43407	BOLT, HEX 3/8-16 X 3/4 GR5
3	1	6-56	KIT, FRAME UTILITY 10	22	1	R19212016	WASHER, .656 X 1.25 X .059
4	1	6-58OR1	ASS'Y, FRAME	23	1	47363	BOLT, 1/2-20 X 1-1/8
5	1	6-59OR1	ASS'Y, AXLE	24	1	R19172410	WASHER, .531 X 1.5 X .134
6	1	28750OR1	CLEVIS, PIVOT	25	1	43353	WASHER, LOC 1/2
7	1	2-98OR1	CHANNEL, HITCH	26	1	HA124934	NUT, HEX 1/2-20 JAM
8	1	2-438OR1	TONGUE, FRONT	27	2	43510	BOLT, HEX 1/2-13 X 2-3/4 GR5
9	1	28258-CBL3	LATCH, FOOT PEDAL	28	4	141	WASHER, .378 X 1.25 X .061
10	1	23687-CBL3	BRACKET, HITCH	29	2	47810	NUT, HEX .312-18 NYLOC
11	4	43528	WASHER, 1" SAE .06 X 2 X .13	30	1	46782	BOLT, HEX 5/16-18 X 3 GR5
12	3	41657	NUT, HEX 1/2-13 NYLOCK	31	2	4-21	SPACER, 1/2 OD X 14 GA X .87
13	1	HA23638	PIN, CLEVIS 1/2 X 1-33/64	32	1	47408	SPRING, EXTENSION PLTD
14	1	714-0117	PIN, HAIR COTTER 5/32 X 3	33	1	23727	SPACER, .310 ID X .560 OD X .36
15	10	HA21362	NUT, HEX 3/8-16 NYLOC	34	1	42673	SCREW, RH SLOT 5/16-18 X 1.0
16	1	4-48	BOLT, HEX 1/2-13 X 3.75 GR5	35	2	45132-C	SPACER, 1.03 ID X 1.25 OD X .80
17	2	41778	PLUG, 1 SQ X 16 GA	36	1	47622	SPRING PULLER
18	4	46855	PIN, COTTER 3/16 X 2	37	1	46991	LABEL, "LOADING CAUTION"
19	2	43001	BOLT, HEX 3/8-16 X 1 GR5		1	3-195	OWNERS MANUAL

**SpeedPart** *the fastest way to purchase parts* [www.speedepart.com](http://www.speedepart.com)

## REPAIR PARTS

Agri-Fab, Inc.  
809 South Hamilton  
Sullivan, IL. 61951  
217-728-8388  
[www.agri-fab.com](http://www.agri-fab.com)