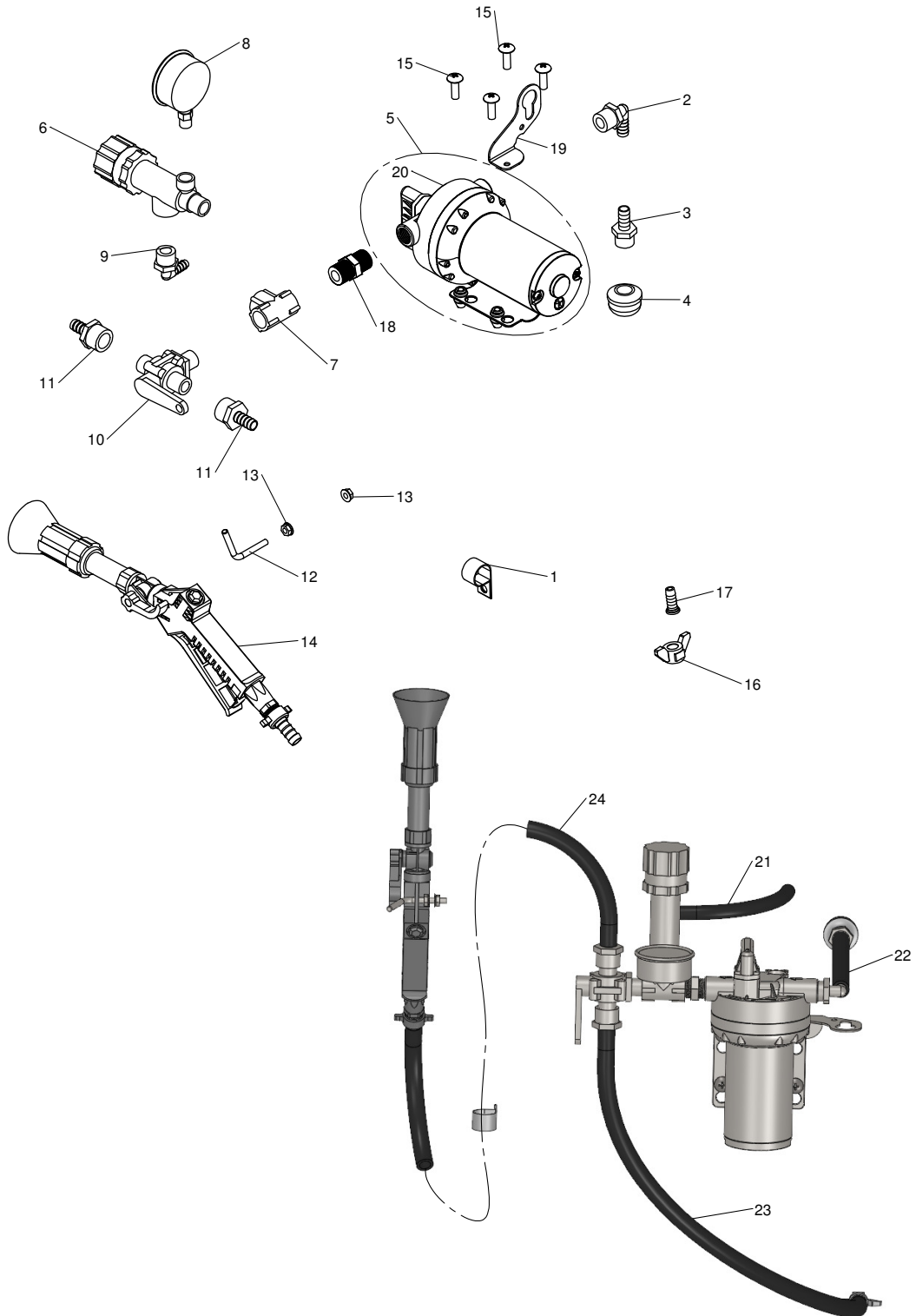


4.0 GPM Pump and Hand Sprayer



4.0 GPM Pump and Hand Sprayer

ITEM NO.	PART NUMBER	DESCRIPTION	QTY.	Note
1	5CS43663	Hose Holder 1/2"	1	
2	5CS43803	Elbow 1/2" Barb - 1/2" NPT	1	
3	5CS43423	Fitting 1/2" Barb - 1/2" MP	1	
4	5CS43422	Sump Strainer 1/2"	1	
5	5CS43791	Pump 4.0 GPM 100 PSI	1	
6	5CS43591	Relief Valve 1/2"	1	
7	5CS43424	Tee 1/2" NPT	1	
8	5CS43593	Pressure Gauge	1	
9	5CS43590	Elbow 3/8" Barb - 1/2" NPT M	1	
10	5CS43430	Selector Valve	1	
11	5CS43587	Fitting 1/2" Barb - 1/2" NPT F	2	
12	5CS62008	1/4" Bent Pin	1	
13	N10217	1/4" Flange Nut	2	
14	5CS43435	Sprayer Handgun	1	
15	5CS65001	#10-24 x 1" Truss Head Screw	4	
16	5CS43498	Plastic Wing Nut	1	
17	5CS43426	Fitting Straight 1/2" Barb	1	
18	5CS43802	Pipe Nipple 1/2" NPT - 1/2" NPT	1	
19	5CS43973	Harness Retention Bracket	1	
20	5CS43889	4.0 GPM Pump Head Replacement	1	
21		3/8" Hose	1	CTL 12", MF 5CS43286
22		1/2" Hose	1	CTL 22", MF 5CS43418
23		1/2" Hose	1	CTL 28", MF 5CS43418
24		1/2" Hose	1	CTL 240", MF 5CS43418
-	5CS43652	Hose Clamp Screw Type 3/8" - 1/2"	5	Not Illustrated
-	5CS43844	Grommet 5/8" ID	1	For Item No. 21, Not Illustrated
-	5CS43854	Grommet 3/4" ID	1	For Item No. 22, Not Illustrated