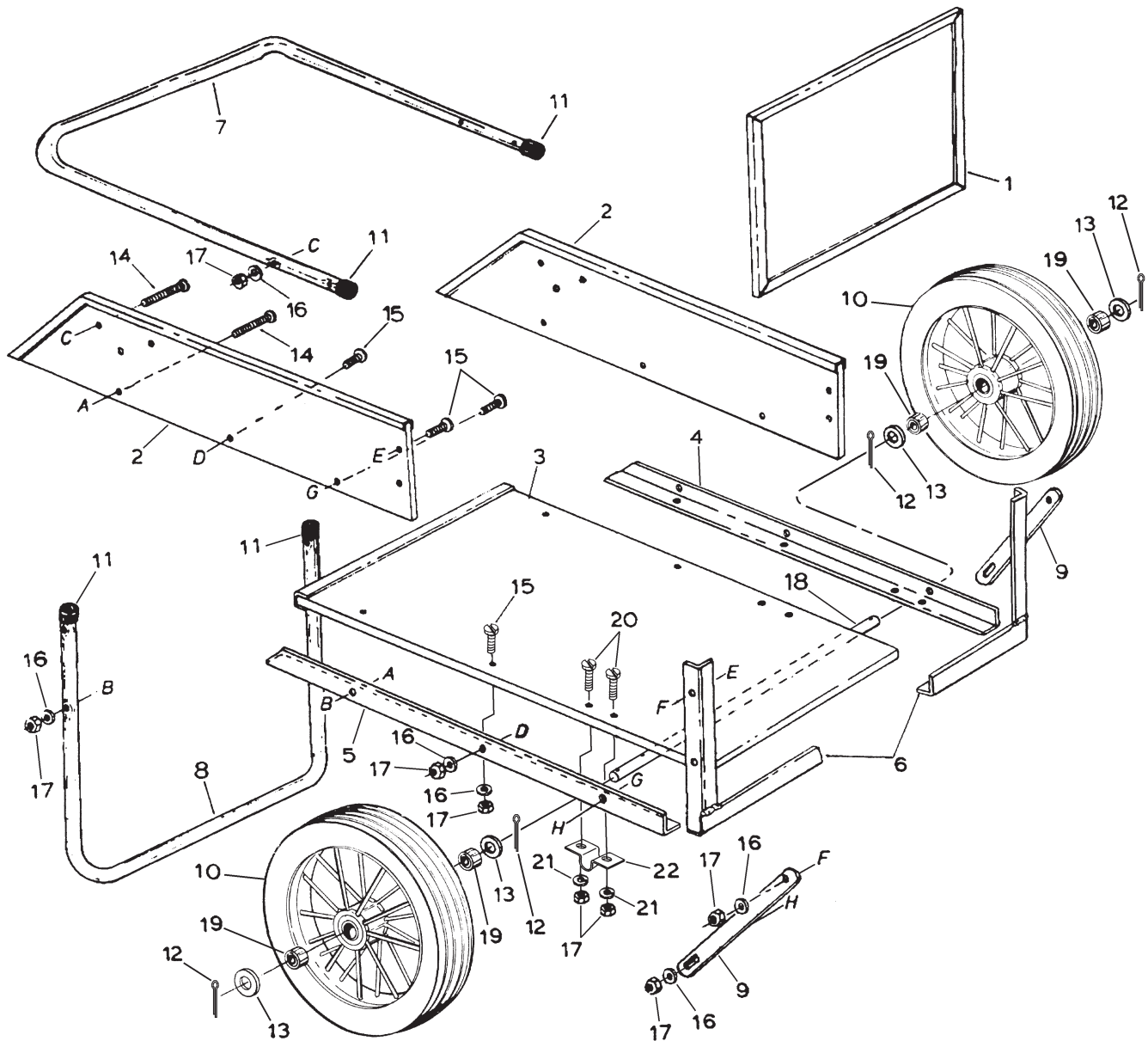


MODEL 45-01764 7 CU. FT. FARM/YARD CART



REF. NO.	PART NO.	QTY.	DESCRIPTION	REF. NO.	PART NO.	QTY.	DESCRIPTION
1	49291	1	Front Panel	12	43010	4	Cotter Pin, $\Phi 3$ (1/8" x 1-1/4")
2	49292	2	Side Panel	13	49295	4	Flat Washer, Large
3	49293	1	Bottom Panel	14	49296	8	M6X50 Screws
4	24891	1	Side Angle, L.H.	15	49297	15	M6X25 Screws
5	24892	1	Side Angle, R.H.	16	49298	23	Flat Washer, $\Phi 6$
6	62529	1	Front Angle	17	49299	27	Hex Nut, M6
7	44018	1	Handle Tube	18	49300	1	Axle
8	44019	1	Leg Tube	19	49301	4	Bearing, Ball $\Phi 20$
9	23606	2	Support Strap	20	49302	4	M6X30 Screws
10	49294	2	Wheel Assembly Complete w/Bearings	21	49303	4	Lock Washer, $\Phi 6$
11	44481	4	Tube Caps	22	23917	2	Axle Clamp
					49573	1	Owner's Manual

*Purchase Common Hardware Locally.