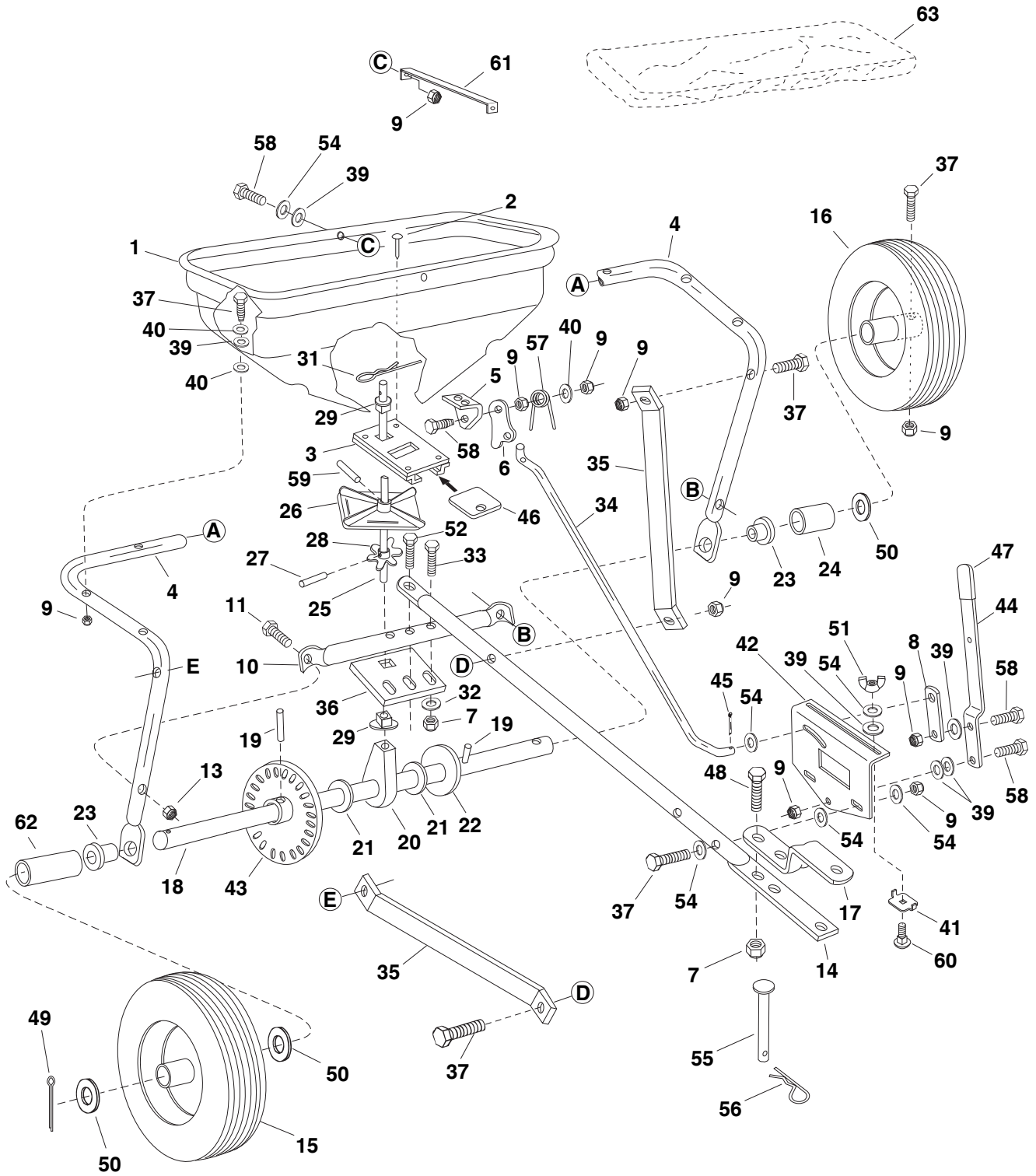


# REPAIR PARTS FOR BROADCAST SPREADER MODEL 45-01873



## REPAIR PARTS FOR BROADCAST SPREADER MODEL 45-01873

REF. NO.	PART NO.	QTY.	DESCRIPTION	REF. NO.	PART NO.	QTY.	DESCRIPTION
1	44480	1	Hopper	33	43054	2	Bolt, Hex 3/8-16 x 2" Lg.*
2	43882	4	Rivet, Stainless	34	44469	1	Rod, Flow Control
3	62482	1	Ass'y, Guide Closure	35	23525	2	Brace, Hitch
4	44462	1	Tube, Frame	36	23762	1	Shaft Support Plate
5	23753	1	Slide Gate Angle Bracket	37	46699	12	Bolt, Hex 1/4-20 x 2"
6	23758	1	Slide Gate Bracket	39	1543-069	12	Washer, Nylon
7	HA21362	5	Nut, Hex Lock 3/8-16 Thd.*	40	43088	13	Washer, Flat 1/4" Std.
8	24857	1	Flow Control Link	41	24858	1	Stop, Adjustable
9	47189	18	Nut, Hex Nylock 1/4-20 Thd.*	42	24855	1	Bracket, Flow Control Mount
10	43808	1	Tube, Crossover	43	62474	1	Gear Assembly
11	44180	2	Bolt, Hex 5/16-18 x 2" Lg.	44	24859	1	Flow Control Arm
13	47810	2	Nut, Hex Nylock, 5/16-18 Thd.*	45	44101	1	Cotter Pin 3/32" x 3/4" Lg.*
14	44487	1	Tube, Hitch	46	23533	1	Plate, Closure
15	43008	1	Wheel, Idler	47	43848	1	Grip, Flow Control Arm
16	44459	1	Wheel, Drive	48	43087	2	Bolt, Hex 3/8-16 x 1-1/4" Lg. *
17	23687	1	Bracket, Hitch	49	43093	1	Pin, Cotter 1/8" x 1-1/2"
18	25017	1	Shaft, Axle	50	43009	4	Washer, Flat 1-5/8" O.D.
19	43851	2	Pin, Spring 3/16" Dia. x 1-1/4" Lg.	51	47141	1	Wing Nut, Nylon
20	43871	1	Bushing, Axle Shaft	52	HA180132	1	Bolt, Hex 3/8-16 x 2-1/4" Lg. *
21	1540-032	5	Washer, Flat .78 I.D.	54	R19111116	10	Washer, 5/16 SAE
22	1540-162	1	Washer, Flat 1/2"	55	47623	1	Hitch Pin
23	47615	2	Bearing, Flange	56	43343	1	Hair Cotter Pin, 1/8"
24	48665	1	Spacer Tube (Short)	57	44566	1	Spring, Torsion
25	25305	1	Shaft, Sprocket	58	43661	5	Bolt, Hex 1/4-20 x 1" Lg.*
26	04367	1	Spreader Plate	59	46055	1	Pin, Spring 1/8" Dia. x 1" Lg.
27	43850	1	Pin, Spring 1/8" Dia. x 5/8".	60	44950	1	Bolt, Carriage 1/4-20 x 3/4"
28	44468	1	Sprocket, 6 Tooth	61	23697	1	Strap, Hopper
29	44285	2	Bushing, Delrin	62	44474	1	Spacer Tube (Long)
31	48934	1	Hairpin, Agitator	63	40825	1	Vinyl Cover (Optional)
32	43070	5	Washer, Flat 3/8" *		48666	1	Owner's Manual

**SpeedPart** *the fastest way to purchase parts* [www.speedepart.com](http://www.speedepart.com)