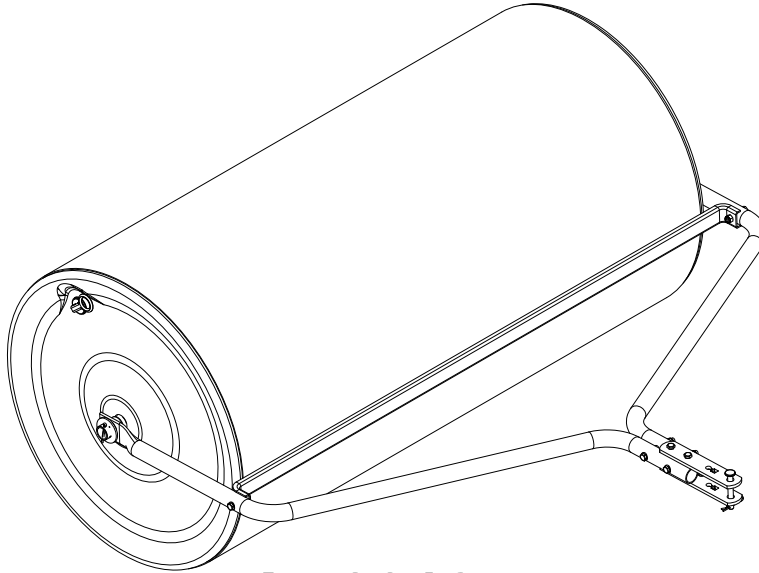


Agri-Fab®

Lawn Care Made Easy®



45-02167

Want more information or assembly tips?



**Video
Instruction
Guide**

youtube.com/c/agrifab

SAFETY PRECAUTIONS

1. **Never** attach a garden hose to the fill/drain hole when filling. Dangerous pressure build up could occur inside roller.
2. **Never** fill roller to maximum weight without checking capability of vehicle to safely pull and stop. Refer to the towing vehicle owners manual.
3. **Never** use roller up and down hills; always work across hills and slopes.
4. **Never** use roller on slopes greater than 10°. Refer to included Slope Guide.
5. **Never** allow children to operate towed equipment.
6. **Never** allow children or others on towed equipment
7. **Always** use caution when turning, slowing, or stopping.
8. **Always** drain roller to keep from freezing.
9. **Always** keep the area clear of bystanders; paying close attention to children and pets.

SPECIFICATIONS

Roller Drum:	24" Dia. x 48" Wide, Welded Steel
O.A. Width:	Approximately 52"
Bearings:	1" I.D., Replaceable
Tow Hitch:	Std. Pin Type - 1/2" Hole
Weight w/ Water:	Up to 910 Lbs. Filled with Water
Approx. Sh. Wt.:	Approximately 114 Lbs.

ASSEMBLY INSTRUCTIONS

(SEE ILLUSTRATION BELOW)

1. Assemble bearings (Ref. 5) into hitch tubes (Ref. 3) so that bearing flange is against outside of hitch tube. *You may need to place a block of wood against bearing and carefully tap with a hammer.*
2. Place hitch tubes (Ref. 3) onto both ends of roller shaft. Assemble a flat washer (Ref. 6) onto each end of roller shaft and secure with two cotter pins (Ref. 12).
3. Assemble scraper bar (Ref. 2) to hitch tubes (Ref. 3) using two hex bolts (Ref. 9) and hex lock nuts (Ref. 10). **Do not tighten yet.**
4. Assemble ends of hitch tubes (Ref. 3) together using two hex bolts (Ref. 7) and hex lock nuts (Ref. 10). **Do not tighten yet.**
5. Assemble hitch brackets (Ref. 4) to hitch tubes (Ref. 3) using two hex bolts (Ref. 8) and hex lock nuts (Ref. 10). **Do not tighten yet.**
6. **Tighten** bolts and nuts starting with scraper bar (Ref. 2), then ends of hitch tubes (Ref. 3), and finally hitch brackets (Ref. 4).
7. Install hitch pin (Ref. 13) through hitch brackets (Ref. 4) and secure with hair cotter pin (Ref. 14).
8. Adjust plug (Ref. 11) size by twisting handle. Lock a plug in each end of roller drum by flipping handle down.

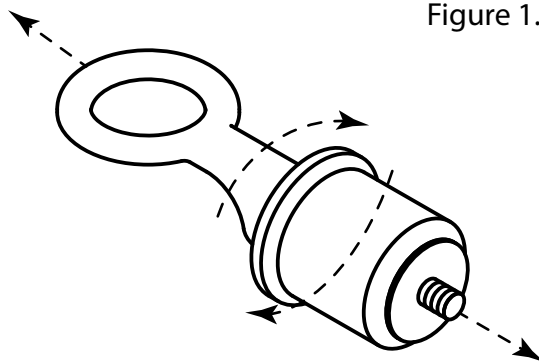


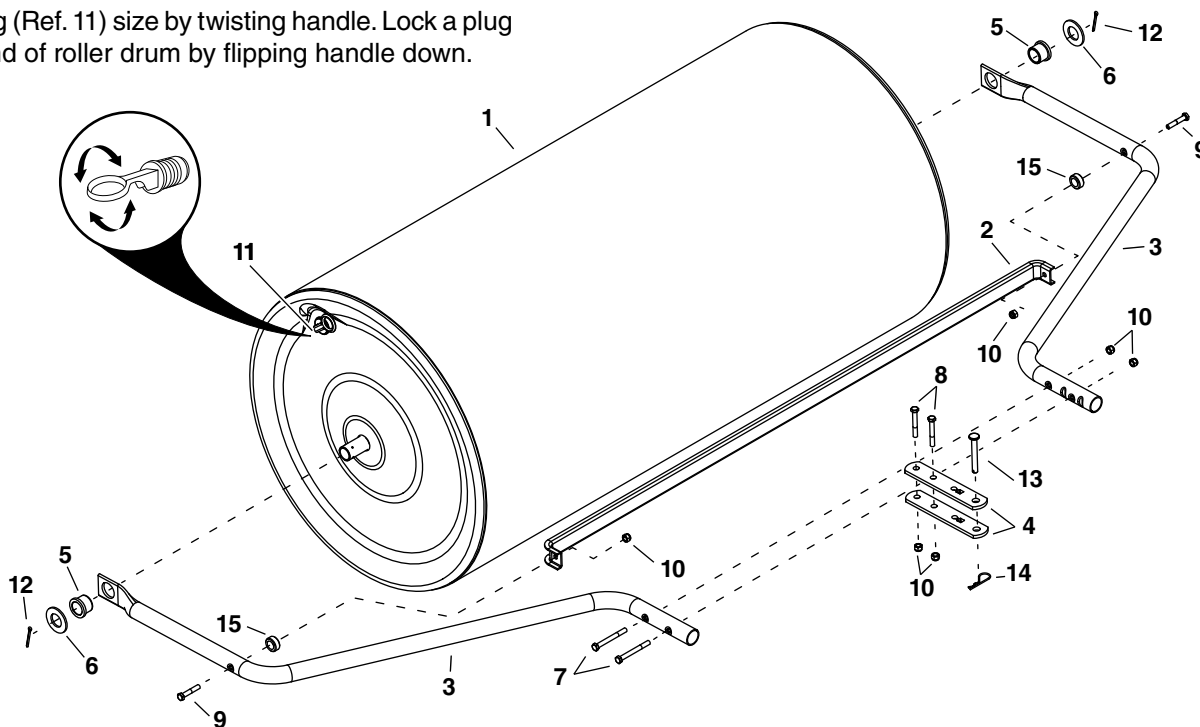
Figure 1.

Plug Adjustment (See Figure 1)

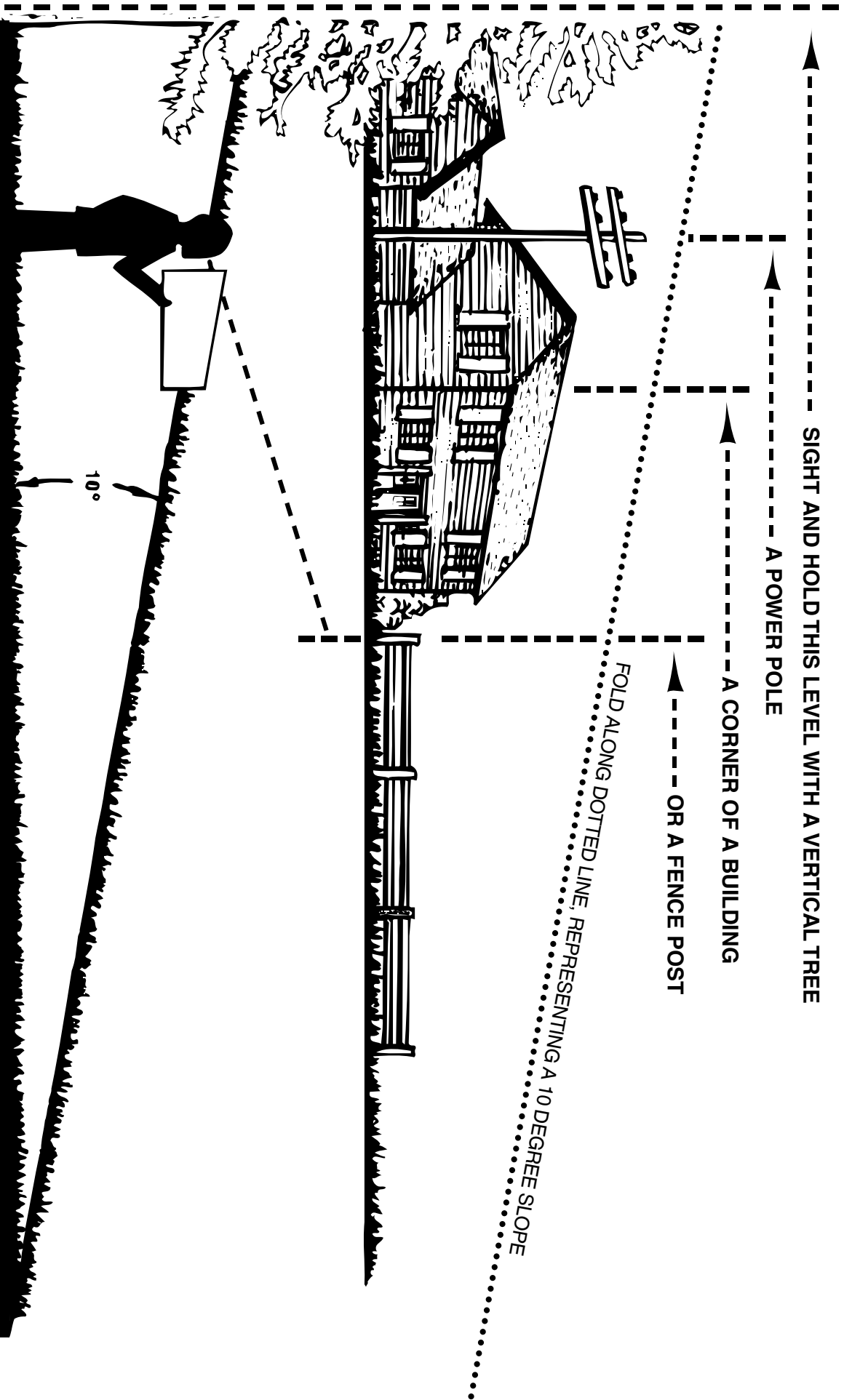
Instructions for tightening plug

- Pull plug firmly in opposing directions
- Twist ring counter-clockwise to tighten

NOTE: If the outer washer is not functioning properly, use a pair of needlenose pliers to ensure that it is free.



Ref. No.	Part No.	Qty.	Description	Ref. No.	Part No.	Qty.	Description
1	-----	1	Roller Drum (Not sold separately)	8	43224	2	Hex Bolt, 5/16-18 x 2-1/4"
2	24868	1	Scraper Bar	9	43084	2	Hex Bolt, 5/16-18 x 1-3/4"
3	48376	2	Hitch Tube	10	47810	6	Hex Lock Nut, 5/16-18
4	24192	2	Hitch Bracket	11	49467	2	Plug, Lawn Roller
5	43632	2	Bearing, Plastic	12	43501	2	Cotter Pin, 5/32" x 1-1/2"
6	43528	2	Flat Washer, 1"	13	47623	1	Hitch Pin
7	46782	2	Hex Bolt, 5/16-18 x 3"	14	43343	1	Hair Cotter Pin 1/8"
				15	23625	2	Spacer



SpeedPart *the fastest way to purchase parts* www.speedepart.com

REPAIR PARTS
Agri-Fab, Inc.
809 South Hamilton
Sullivan, IL. 61951
217-728-8388
www.agri-fab.com