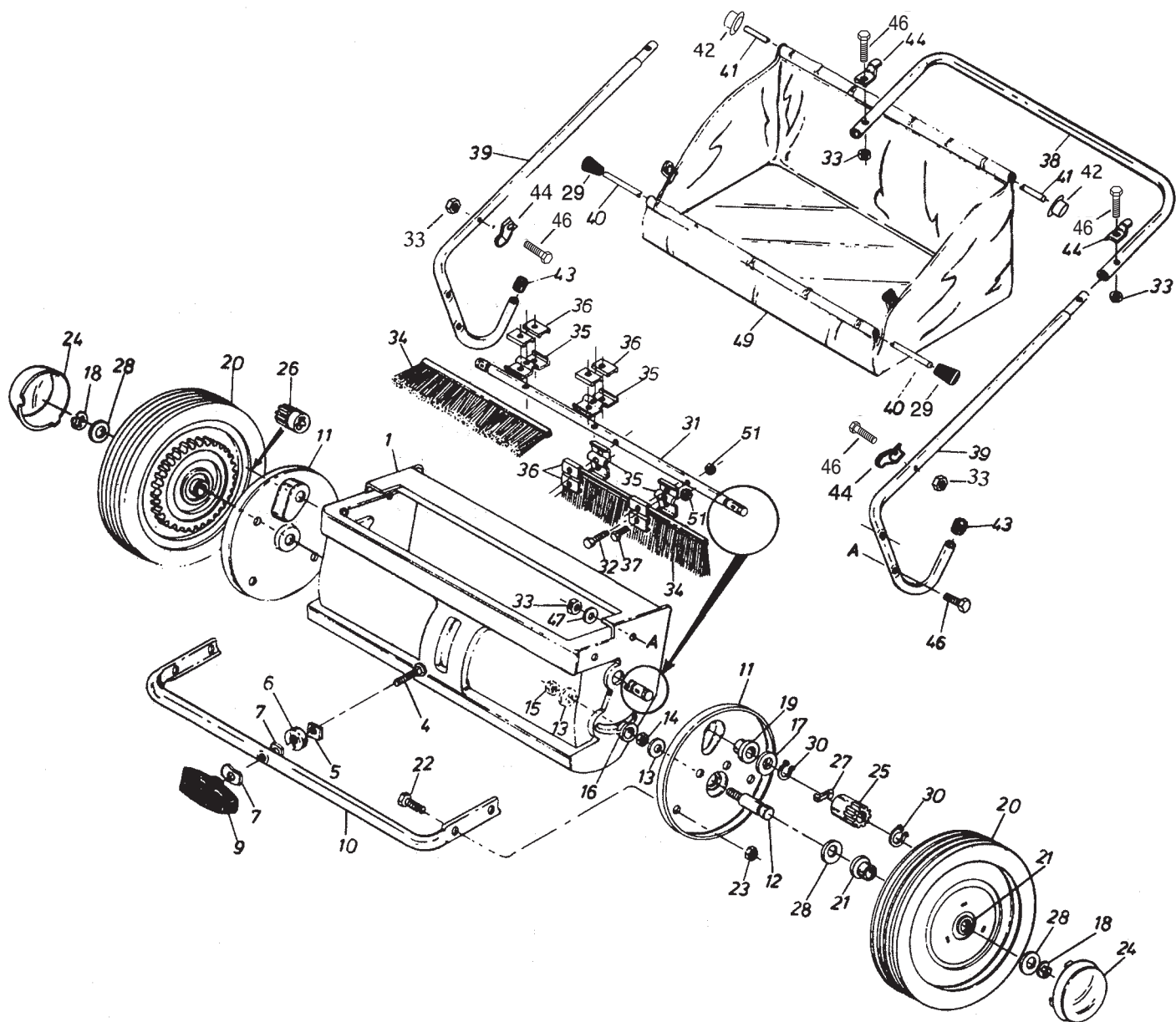


# REPAIR PARTS FOR 45-02181 26" LEAF/LAWNSWEEPER



# REPAIR PARTS FOR 45-02181 26" LEAF/LAWNSWEEPER

REF. NO.	PART NO.	QTY.	DESCRIPTION	REF. NO.	PART NO.	QTY.	DESCRIPTION
1	44600	1	Housing	28	44125	4	Flat Washer, .62 x 1"
4	43681	1	Bolt, Carriage 5/16-18 x 1-1/2"	29	44687	2	Plastic Cap, .207
5	44680	1	Washer, Square Nylon	30	1650-21	4	Retaining Ring, .594
6	1543-69	1	Washer, Nylon 21/64	31	23782	1	Brush Shaft
7	44695	2	Washer, Bowed	32	43661	4	Bolt, Hex 1/4-20 x 1"
9	43720	1	Knob, 5/16"	33	47189	8	Nylock Nut, 1/4-20
10	44946	1	Height Adjustment Tube	34	44681	4	Brush, 13-1/4"
11	23866	2	Dust Cover	35	23580	4	Brush Retainer, Double Bracket
12	44598	2	Axle	36	23581	8	Brush Retainer, Single Clip
13	43070	4	Washer, 3/8"	37	43012	8	Bolt, Hex 1/4" x 3/4"
14	44684	2	Jam Nut, 3/8-24	38	44603	1	Upper Handle Tube
15	1038	2	Nylock Jam Nut, 3/8-24	39	44595	2	Handle Leg Tube
16	44685	2	Shoulder Spacer	40	44683	1	Bag Rod, 1/4" x 25-1/2"
17	40007	2	Washer, .596 x 1.125 x .025	41	44682	1	Bag Rod, 1/4" x 28-1/2"
18	716-0106	2	"E" Ring, 5/8"	42	726-0106	2	Palnut, 1/4"
19	44679	2	Flange Bearing, .59	43	44688	2	Plastic Cap, 3/4"
20	49946	2	Wheel Assembly	44	44696	4	Bag, Rod Clip
21	741-0249	4	Flange Bearing, .63	46	1509-90	8	Bolt, Hex 1/4-20 x 1-1/4"
22	43182	4	Bolt, Hex 5/16-18 x 3/4"	47	43088	4	Washer, 1/4"
23	47810	4	Nylock Nut, 5/16-18	49	44694	1	Hopper Bag
24	2674-32	2	Black Hub Cap	51	47189	12	Nylock Nut, 1/4-20
25	48651	1	Pinion, L.H.		40261	1	Owner's Manual
26	48652	1	Pinion, R.H.				
27	47046	2	Pin, Drive				

**SpeedPart** *the fastest way to purchase parts* [www.speedpart.com](http://www.speedpart.com)