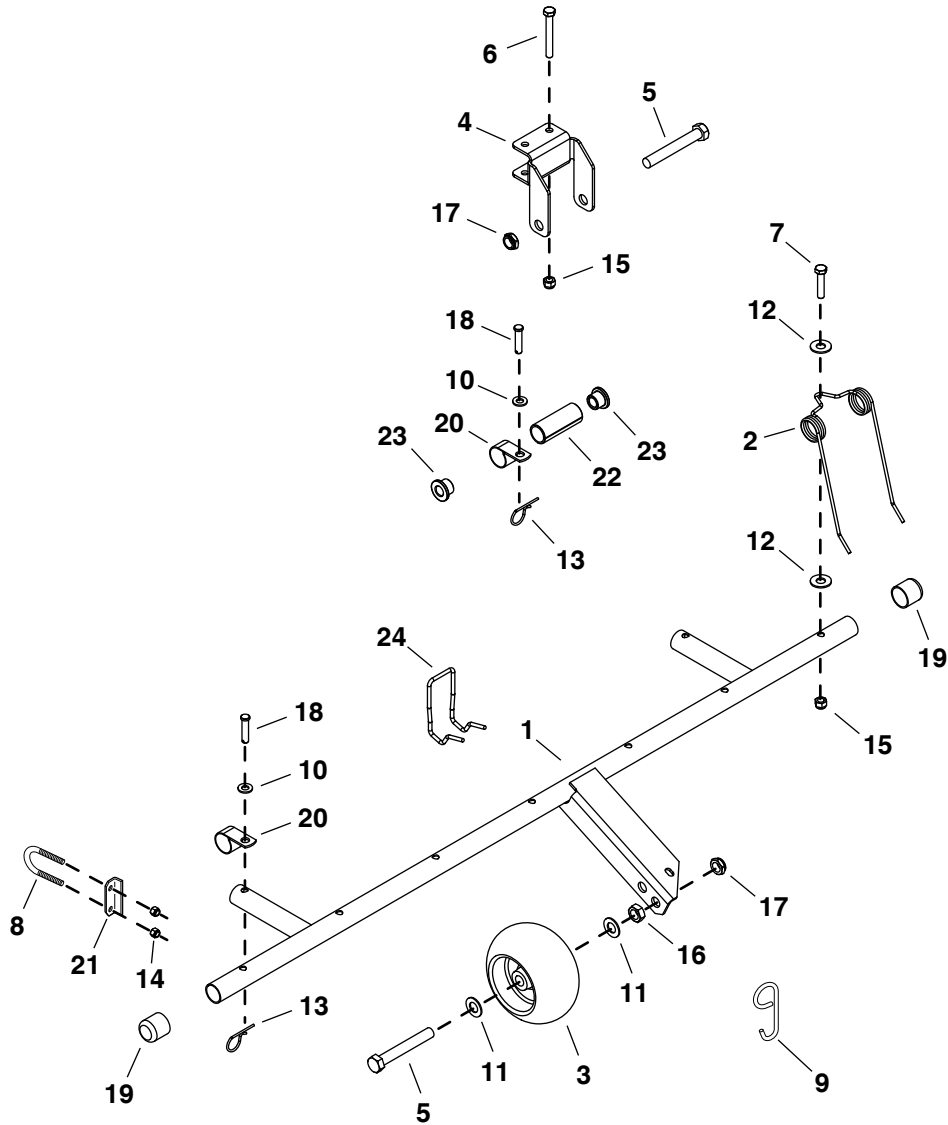


# REPAIR PARTS FOR MODEL 45-03431 DETHATCHER FOR SWEEPERS



REF.	PART NO.	QTY.	DESCRIPTION	REF.	PART NO.	QTY.	DESCRIPTION
1	64650	1	Spring Mount Frame Assem.	14	47189	4	Nylock Nut, 1/4-20
2	46761	7	Spring Tine	15	47810	9	Nylock Nut, 5/16-18
3	48098	1	Gauge Wheel	16	43019	1	Jam Nut, Plain 1/2-13
4	26624	2	Mount Bracket	17	48115	3	Jam Nut, Nylock 1/2-13
5	46526	3	Hex Bolt, 1/2-13 x 3-1/2"	18	48812	2	Clevis Pin, 5/16" x 1-3/8"
6	44292	2	Hex Bolt, 5/16-18 x 2-1/2"	19	44481	2	Vinyl Cap
7	43085	7	Hex Bolt, 5/16-18 x 1-1/2"	20	48917	2	Clamp
8	48813	2	U-Bolt, 1/4-20	21	25054	2	Bracket, U-Bolt Clamp
9	48811	1	Hook, Transport	22	46499	2	Spacer, .8 x 1 x 2.55"
10	43081	2	Washer, 5/16"	23	741-0248	4	Flange Bearing
11	R19171616	2	Washer, 1/2"	24	42212	1	SMARTSweep Hook
12	43070	14	Washer, 3/8"		42025	1	Owner's Manual
13	43055	2	Hair Cotter Pin, 3/32"				