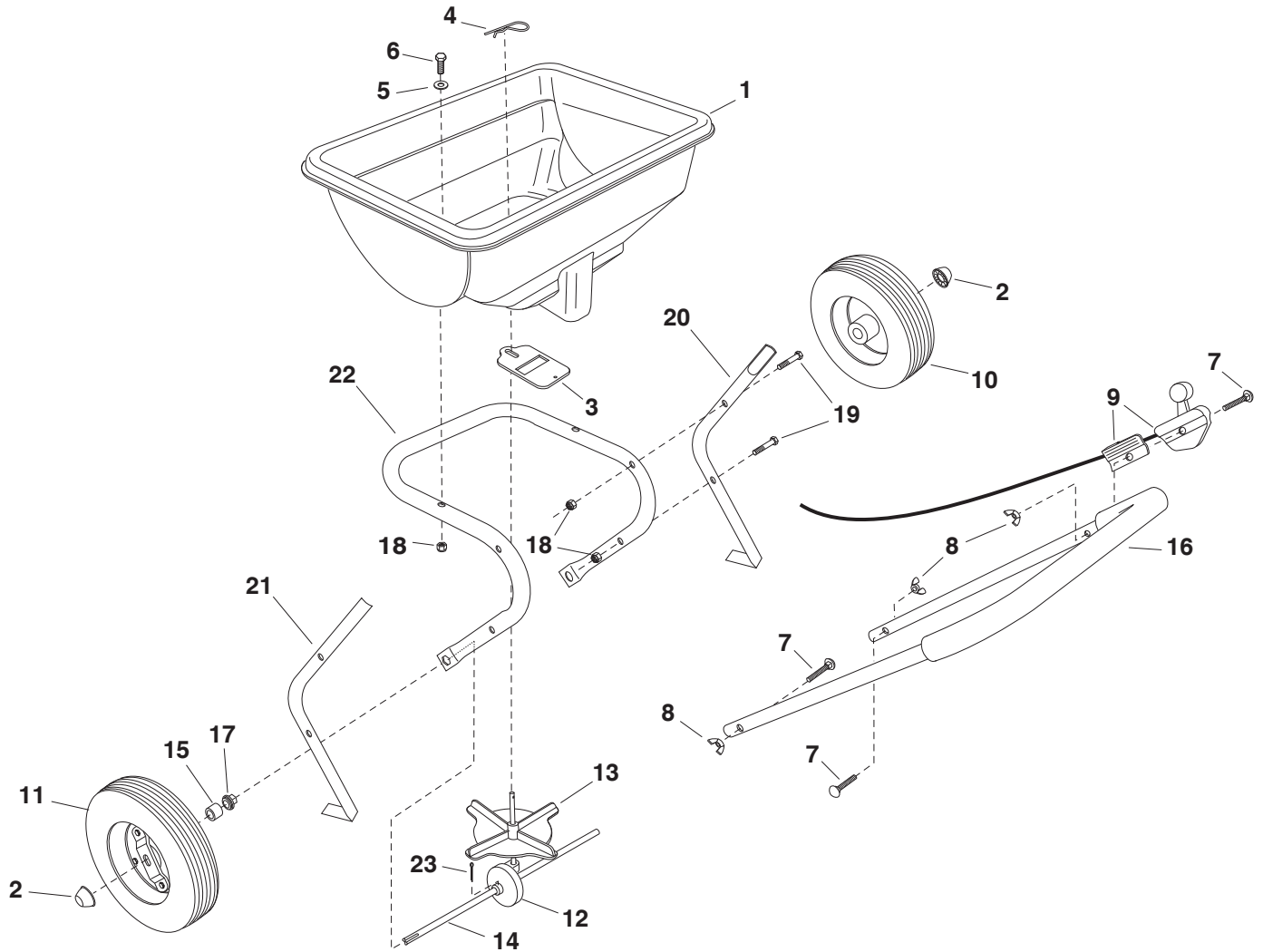


REPAIR PARTS FOR MODEL 45-03881



REF	PART NO.	QTY	DESCRIPTION	REF	PART NO.	QTY	DESCRIPTION
1	47994BLK	1	Hopper	13	47124	1	Impeller
2	44663	2	Hub Cap	14	40903	1	Axle
3	47983	1	Flow Slide	15	47851	2	Plastic Spacer
4	43343	1	Hairpin Agitator	16	47985	1	Handle Tube
5	43088	2	Washer, 1/4 Std	17	47963	2	Hex Flange Bearing
6	43648	2	Hex Bolt, 1/4-20 x 1-1/2"	18	47189	6	Nut, Nylock 1/4"
7	45165	3	Carriage Bolt 1/4-20 x 2"	19	46699	4	Hex Bolt, 1/4-20 x 2"
8	47141	3	Wing Nut, Nylon 1/4-20	20	49958	1	Leg Tube, R.H.
9	49447	1	Control Cable Assembly (includes items 7 & 8)	21	49816	1	Leg Tube, L.H.
10	46503	1	Wheel & Tire Assembly	22	49085	1	Frame Tube
11	48865	1	Wheel & Tire Assembly /w Drive	23	43501	1	Cotter Pin, 9/64" x 1-1/2"
12	40904	1	Gearbox Assembly		40914	1	Owner's Manual