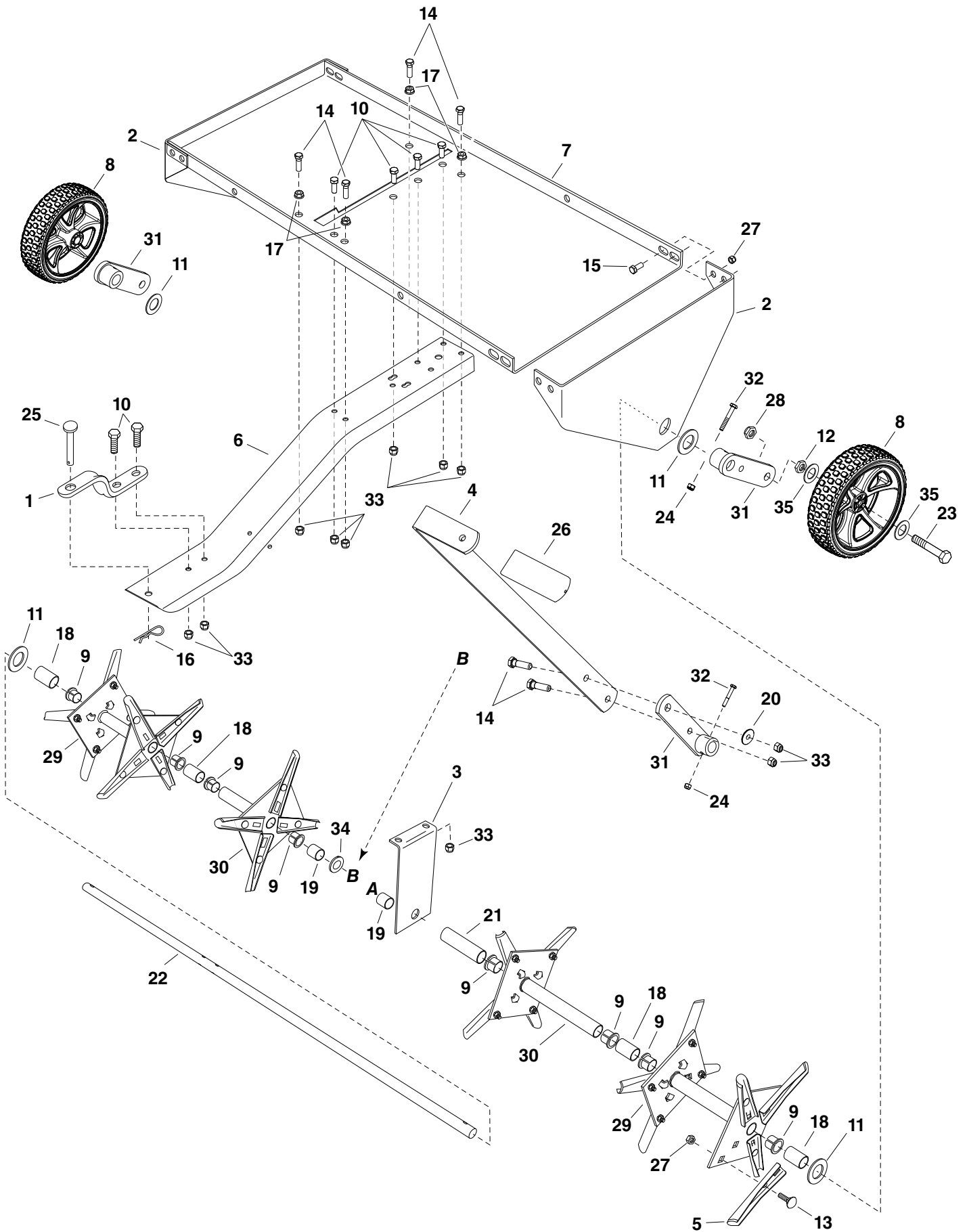


REPAIR PARTS FOR 40" PLUG AERATOR MODEL 45-05182



REPAIR PARTS FOR 40" PLUG AERATOR MODEL 45-05182

REF	PART NO	QTY	DESCRIPTION	REF	PART NO	QTY	DESCRIPTION
1	23687BL1	1	Bracket, Hitch	19	44500	2	Spacer, .800ld X 1.00Od X 1.00Lg
2	24619BL3	2	End Plate, 40" Plugger	20	44685	1	Spacer, Shoulder
3	24623	1	Brace, Middle	21	45151	1	Spacer, .800ld X 1.00Od X 3.70Lg
4	24624BL1	1	Handle, Lift	22	45807	1	Shaft, 3/4" Dia.
5	24924	24	Knife, Aerator	23	46526	2	Bolt, Hex 1/2-13 X 3-1/2 Gr5
6	28642BL3	1	Tongue, " Lc Plugger	24	47189	3	Nut, Hex 1/4-20 Nyloc
7	28646BL3	1	Tray, 40" Plugger	25	47623	1	Pin, Hitch 3/8 X 3 Flat Hd
8	41863	2	Wheel & Tire Assembly, Idle Flat-Free	26	47707	1	Grip, Handle 1/4 X 1-1/2 X 4.38 Lg
9	42953	8	Bearing, Split 3/4"	27	47810	32	Nut, Hex .312-18 Nyloc
10	43001	6	Bolt, Hex 3/8-16 X 1	28	48115	2	Nut, Hex 1/2-13 Jam Nyloc
11	43009	8	Washer, .785 X 1.57	29	63929BL1	2	Assembly, Spool (Double)
12	43019	2	Nut, Hex 1/2-13 Jam	30	63930BL1	2	Assembly, Spool (Single)
13	43080	24	Bolt, Carr 5/16-18 X 3/4	31	68589BL1	3	Assembly, Wheel Bracket
14	43087	6	Bolt, Hex 3/8-16 X 1-1/4 Gr5	32	1509-69	3	Bolt, Hex 1/4-20 X 1-3/4
15	43182	8	Bolt, Hex 5/16-18 X 3/4	33	HA21362	12	Nut, Hex 3/8-16 Nyloc
16	43343	1	Pin, Hair Cotter 3/32 X 2-5/16	34	HA456151	1	Washer, .817 X 1.5 X .134
17	44072	4	Nut, Hex 3/8-16 Whizloc	35	R19171616	4	Washer, .531 X 1 X .059
18	44494	4	Spacer, .800ld X 1.00Od X 1.32 Lg	36	45883		Owner's Manual

SpeedPart *the fastest way to purchase parts* www.speedpart.com