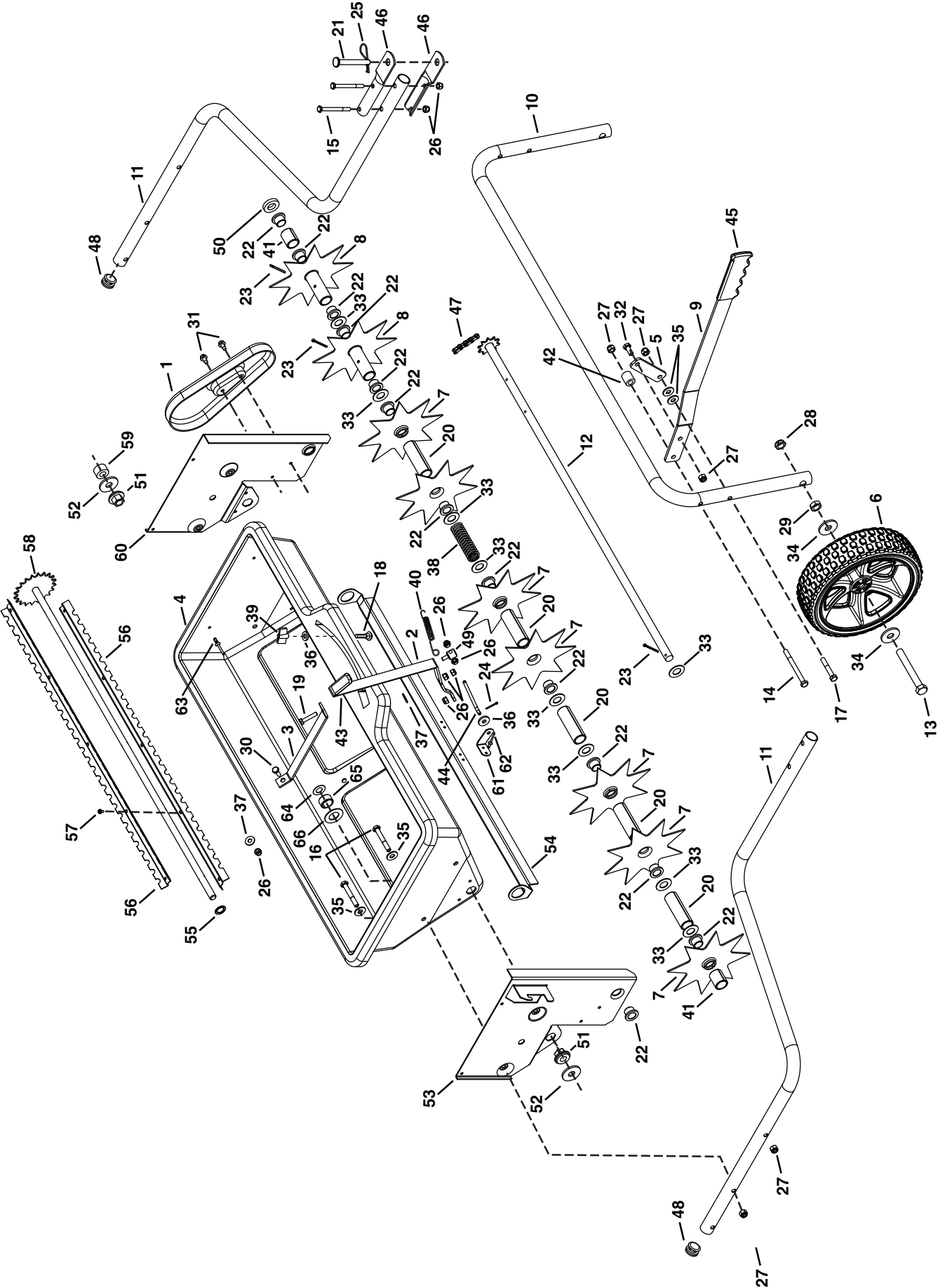


PARTS FOR 32" POLY SPIKER/SPREADER MODEL 45-0543



PARTS FOR 32" POLY SPIKER/SPREADER MODEL 45-0543

REF.	PART NO.	QTY.	DESCRIPTION	REF.	PART NO.	QTY.	DESCRIPTION
1	47953	1	COVER, CHAIN	35	43081	6	WASHER, .375 X .875 X .083
2	24743	1	LEVER, FLOW CONTROL	36	1543-69	2	WASHER, NYLON
3	24747	1	BRACE, CENTER	37	43088	2	WASHER, .312 X .734 X .065
4	47931	1	HOPPER	38	47777	1	SPRING, COMPRESSION
5	28557	1	BRACKET, HANDLE BRACE	39	712-0421	1	NUT, WING 5/16-18
6	41863	2	WHEEL	40	47962	1	SPRING, FLOW PLATE
7	28606	7	DISK, SPIKE	41	46497	2	SPACER, .800ID X 1.00OD X 1.2
8	69416	2	SPREADER DRIVE DISK	42	24571	2	SPACER, .410ID X .750OD X .84
9	28558	1	HANDLE, LIFT	43	43848	1	GRIP, CONTROL ARM
10	28556	1	TUBE, TRANSPORT	44	47959	1	LINK, FLOW CONTROL
11	28555	2	TUBE, HITCH	45	43943	1	GRIP HT. ADJ
12	64106	1	SPIKER SHAFT ASSEMBLY	46	24446	2	BRACKET, HITCH
13	45100	2	BOLT, HEX 1/2-13 X 4	47	47960	1	CHAIN WITH CONNECTOR
14	47025	2	BOLT, HEX 5/16-18 X 3-1/2	48	49449	2	PLUG, 1"OD TUBE
15	43796	2	BOLT, HEX 1/4-20 X 2-3/4	49	47969	1	FERRULE, 1/4"
16	43224	4	BOLT, HEX 5/16-18 X 2-1/4	50	23520	1	SPACER, .660ID X .250OD X .25
17	44180	1	BOLT, HEX 5/16-18 X 2	51	47963	2	BEARING, HEX FLANGE
18	44215	1	BOLT, CARR 5/16-18 X 1-3/4	52	R19172410	2	WASHER, .531 X 1.5 X .134
19	1509-90	1	BOLT, HEX 1/4-20 X 1-1/4	53	24736	1	ENDPLATE, RH
20	46524	5	SPACER, .800ID X 1.00OD X 3.1	54	24741	1	FLOW PLATE
21	47623	1	PIN, HITCH	55	46557	1	NUT, 1/2 PUSH
22	741-0249	13	BEARING, FLANGED	56	24739	2	AGITATOR BLADE
23	43093	3	PIN, COTTER 1/8 X 1-1/2	57	47978	10	SCREW, HEX 8-32 X 1/4
24	44101	1	PIN, COTTER 3/32 X 3/4	58	64104	1	AGITATOR SHAFT ASSEMBLY
25	43343	1	PIN, HAIR COTTER 3/32	59	45133	1	SPACER, .500ID X 1.00OD X .59
26	47189	7	NUT, HEX 1/4-20 NYLOCK	60	24735	1	ENDPLATE, LH
27	47810	10	NUT, HEX .312-18 NYLOCK	61	24539	1	BRACKET, FEED PLATE
28	48115	2	NUT, HEX 1/2-13 NYLOCK JAM	62	41998	2	RIVET, POP 5/32
29	43019	2	NUT, HEX .5-13 JAM	63	48418	8	RIVET, POP 3/16
30	43012	1	BOLT, HEX 1/4-20 X 3/4	64	48173	2	WASHER, .817 X 1.5 X .059
31	44731	2	SCREW, HEX 1/4 X 1/2	65	46838	2	SPACER, .800ID X 1.00OD X .50
32	43182	1	BOLT, HEX 5/16-18 X 3/4	66	44137	2	WASHER, .518 X 1 X .02
33	R19212016	9	WASHER, .656 X 1.25 X .059		45586	1	Owner's Manual
34	R19171616	4	WASHER, .531 X 1 X .059				