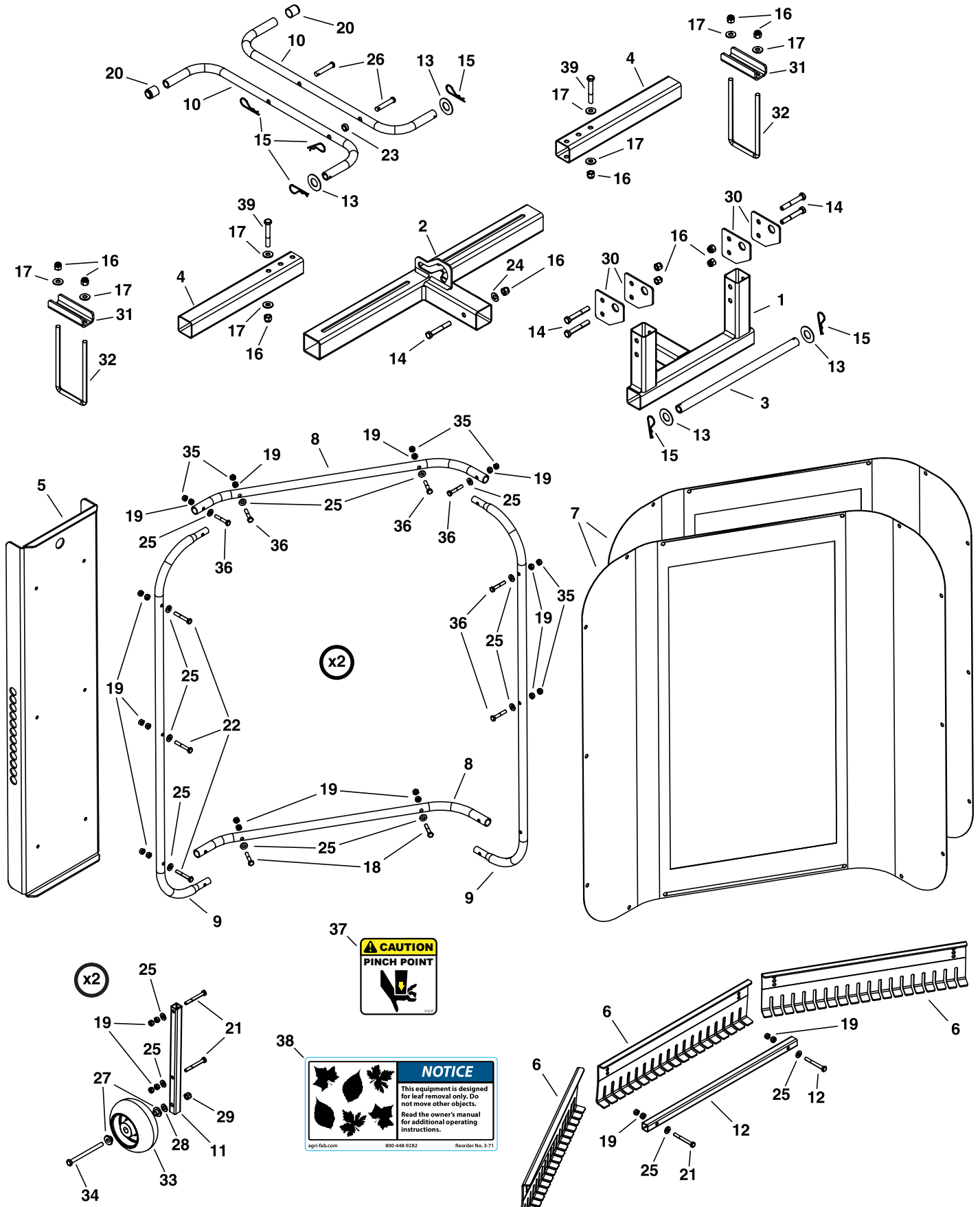


REPAIR PARTS FOR 45-0550 LEAF BLADE



REPAIR PARTS FOR 45-0550 LEAF BLADE

REF	QTY	PART NO	DESCRIPTION	REF	QTY	PART NO	DESCRIPTION
1	1	69642BL3	ASS'Y, BLADE MOUNT (WLDMNT)	21	6	45164	BOLT, HEX 1/4-20 X 2-1/4 G5
2	1	69643BL3	ASS'Y, HITCH MOUNT (WLDMNT)	22	6	1509-69	BOLT, HEX 1/4-20 X 1-3/4 GR5
3	1	45817BL3	SHAFT, PIVOT	23	1	23625	SPACER, .380ID X .620OD X .270
4	2	45814BL3	TUBE, SLIDER	24	1	R19131316	WASHER, .406 X .812 X .062
5	1	45811BL3	BULKHEAD	25	36	736-0142	WASHER, .281 X .625 X .065
6	3	45812BL3	LEAF RAKE	26	2	43023	PIN, CLEVIS 3/8 X 2
7	2	45808	PUSHER WALL	27	4	1657-5	STEP BUSHING
8	4	45809BL3	TUBE, HORIZONTAL	28	2	48015	WASHER, NYLON .345 X .69 X .06
9	4	45810BL3	TUBE, VERTICAL	29	2	47810	NUT, HEX .312-18 NYLOC
10	2	45823BL3	TUBE, PUSH	30	4	45816BL3	BRACKET, PIVOT
11	2	2-22BL3	WHEEL SUPPORT	31	2	45908BL3	BRACKET, MOUNTING
12	1	2-23BL3	RAKE BRACE	32	2	45909	U-BOLT, 7.0 X 3.5 X 3/8
13	4	43009	WASHER, .785 X 1.57 X .057	33	2	48098	WHEEL, ANTI SCALP
14	5	43432	BOLT, HEX 3/8-16 X 2-1/2 GR5	34	2	47407	BOLT, HEX 5/16-18 X 4 GR5
15	6	43343	PIN, HAIR COTTER 3/32 X 2-5/16	35	12	48236	ACORN HEX NUT, 1/4-20
16	11	HA21362	NUT, HEX 3/8-16 NYLOC	36	12	1509-90	HEX BOLT, 1/4-20 x 1-1/4
17	8	43081	WASHER, .375 X .875 X .083	37	1	40240	LABEL, PINCH POINT
18	4	43648	BOLT, HEX 1/4-20 X 1-1/2 G5	38	1	3-71	LABEL, NOTICE
19	44	43013	NUT, HEX 1/4-20 LOC	39	2	43509	BOLT, HEX 3/8-16 X 2-3/4 GR5
20	2	44688	CAP, 3/4" ID VINYL		1	3-316	OWNERS MANUAL