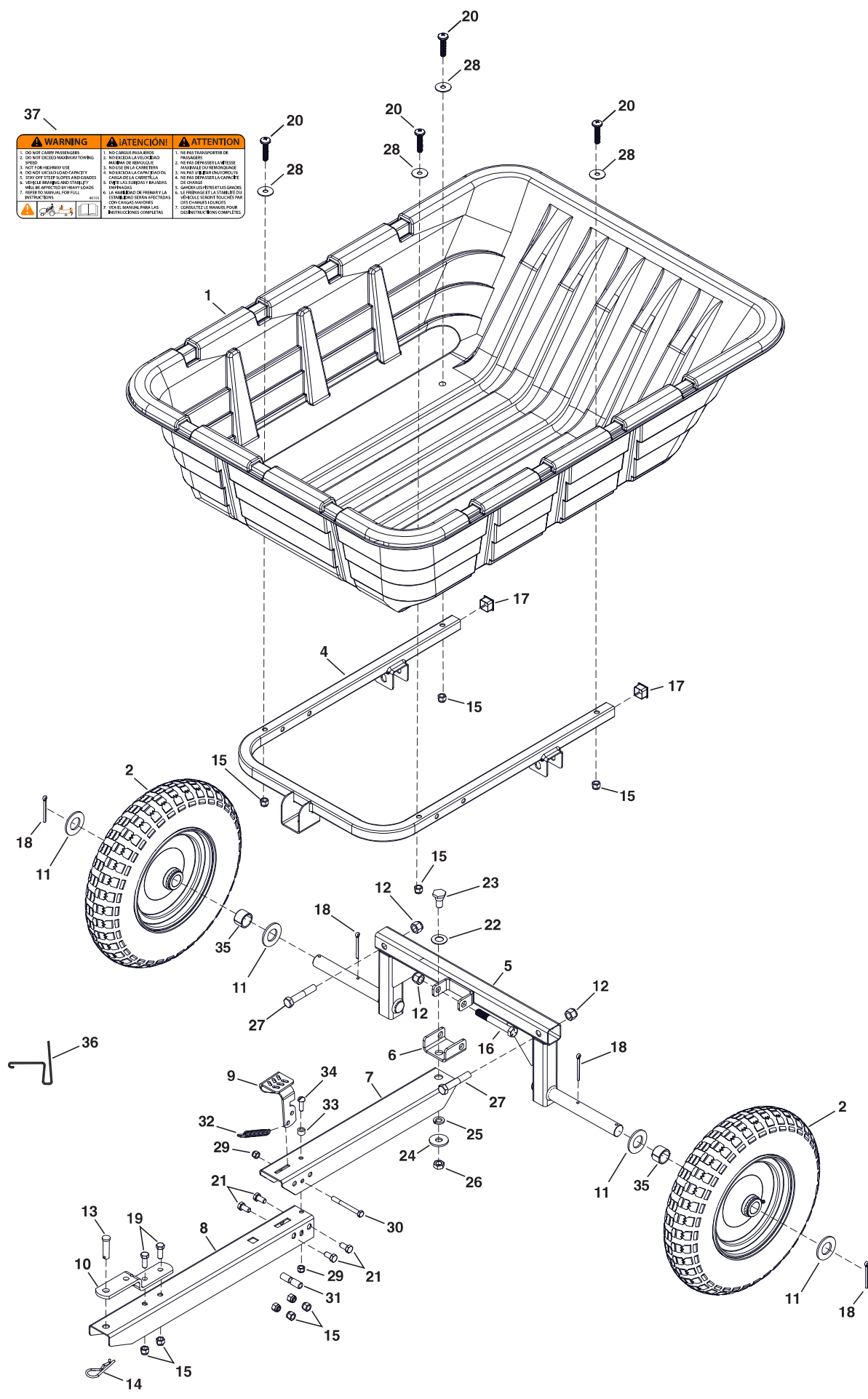


| WARNING | ¡ATENCIÓN! | ATTENTION |
|--|---|--|
| 1. DO NOT CARRY PASSENGERS | 1. NO CARGAR PASAJEROS | 1. NE PAS TRANSPORTER DE PASSENGERS |
| 2. DO NOT EXCEED MAXIMUM TOWING SPEED | 2. NO EXCEDER LA VELOCIDAD MÁXIMA DE REPOQUE | 2. NE PAS DÉPASSER LA VITESSE MAXIMALE DE REMPLÔCAGE |
| 3. NOT FOR HIGHWAY USE | 3. NO USAR EN CARRETERA | 3. NE PAS UTILISER EN AUTOSTRADA |
| 4. ALWAYS WEAR YOUR SAFETY BELT | 4. SIEMPRE USAR CINTURÓN DE SEGURIDAD | 4. TOUJOURS PORTER SA CEINTURE DE SÉCURITÉ |
| 5. STAY OFF STEPS, LIFTS AND GRABS | 5. NO SUBIR A LOS ESCALEROS, PASADISOS O MANILLOS | 5. GARDER LES PIEDS ET LES MAINS EN BAS |
| 6. WEIGH AND LOAD CAPACITY WILL BE AFFECTED BY HEAVY LOADS | 6. EL PESO Y LA CAPACIDAD DE CARGA SERÁN AFECTADOS POR CARGAS PESADAS | 6. LE PÉRIAGE ET LA CARGES SONT AFFECTÉS PAR DES CHARGES LÉGERES |
| 7. REFER TO MANUAL FOR FULL INSTRUCTIONS | 7. VER EL MANUAL PARA LAS INSTRUCCIONES COMPLETAS | 7. CONSULTER LE MANUEL POUR LES INSTRUCTIONS COMPLETES |



45-0573

| REF | QTY | PART NO | DESCRIPTION | REF | QTY | PART NO | DESCRIPTION |
|-----|-----|------------|------------------------------|-----|-----|-----------|---------------------------------|
| 1 | 1 | 2-196 | BED, POLY | 20 | 4 | 2-96 | BOLT, TRUSS HEAD 3/8-16 X 1.75 |
| 2 | 2 | 6-661G | WHEEL, 16 X 4.00 X 1 ID GRAY | 21 | 4 | 43407 | BOLT, HEX 3/8-16 X 3/4 GR5 |
| 3 | 1 | 6-56 | KIT, FRAME UTILITY 10 | 22 | 1 | R19212016 | WASHER, .656 X 1.25 X .059 |
| 4 | 1 | 6-58OR1 | ASS'Y, FRAME | 23 | 1 | 47363 | BOLT, 1/2-20 X 1-1/8 |
| 5 | 1 | 6-59OR1 | ASS'Y, AXLE | 24 | 1 | R19172410 | WASHER, .531 X 1.5 X .134 |
| 6 | 1 | 28750OR1 | CLEVIS, PIVOT | 25 | 1 | 43353 | WASHER, LOC 1/2 |
| 7 | 1 | 2-98OR1 | CHANNEL, HITCH | 26 | 1 | HA124934 | NUT, HEX 1/2-20 JAM |
| 8 | 1 | 2-438OR1 | TONGUE, FRONT | 27 | 2 | 43510 | BOLT, HEX 1/2-13 X 2-3/4 GR5 |
| 9 | 1 | 28258-CBL3 | LATCH, FOOT PEDAL | 28 | 4 | 141 | WASHER, .378 X 1.25 X .061 |
| 10 | 1 | 23687-CBL3 | BRACKET, HITCH | 29 | 2 | 47810 | NUT, HEX .312-18 NYLOC |
| 11 | 4 | 43528 | WASHER, 1" SAE .06 X 2 X .13 | 30 | 1 | 46782 | BOLT, HEX 5/16-18 X 3 GR5 |
| 12 | 3 | 41657 | NUT, HEX 1/2-13 NYLOCK | 31 | 2 | 4-21 | SPACER, 1/2 OD X 14 GA X .87 |
| 13 | 1 | HA23638 | PIN, CLEVIS 1/2 X 1-33/64 | 32 | 1 | 47408 | SPRING, EXTENSION PLTD |
| 14 | 1 | 714-0117 | PIN, HAIR COTTER 5/32 X 3 | 33 | 1 | 23727 | SPACER, .310 ID X .560 OD X .36 |
| 15 | 10 | HA21362 | NUT, HEX 3/8-16 NYLOC | 34 | 1 | 42673 | SCREW, RH SLOT 5/16-18 X 1.0 |
| 16 | 1 | 4-48 | BOLT, HEX 1/2-13 X 3.75 GR5 | 35 | 2 | 45132-C | SPACER, 1.03 ID X 1.25 OD X .80 |
| 17 | 2 | 41778 | PLUG, 1 SQ X 16 GA | 36 | 1 | 47622 | SPRING PULLER |
| 18 | 4 | 46855 | PIN, COTTER 3/16 X 2 | 37 | 1 | 46991 | LABEL, "LOADING CAUTION" |
| 19 | 2 | 43001 | BOLT, HEX 3/8-16 X 1 GR5 | | 1 | 3-195 | OWNERS MANUAL |

SpeedPart *the fastest way to purchase parts* www.speedepart.com

REPAIR PARTS

Agri-Fab, Inc.
809 South Hamilton
Sullivan, IL. 61951
217-728-8388
www.agri-fab.com