

# SAFETY RULES



Look for this symbol to point out important safety precautions. It means — **ATTENTION!** Become alert! Your safety is involved.



**WARNING:** Improper use or failure to follow instructions can result in product failure or injuries. For safe use of this product you must Read and follow all instructions before using.

## ASSEMBLY INSTRUCTIONS

### TOOLS REQUIRED FOR ASSEMBLY

- (1) Phillips Head Screw Driver

#### STEP 1: (SEE FIGURE 1)

- Assemble the crank handle (1) by turning it onto the crank shaft (2) in a clockwise motion.

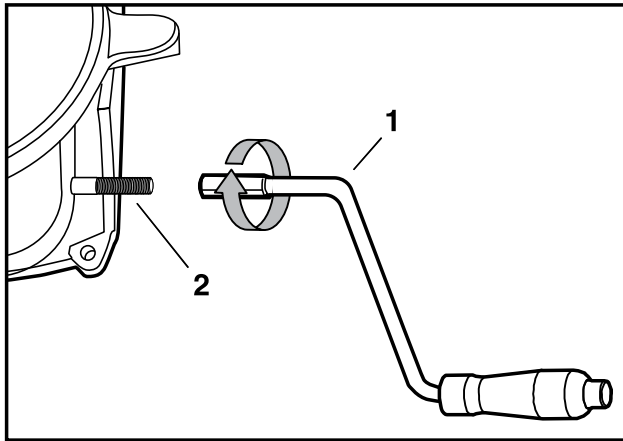


FIGURE 1

#### STEP 2: (SEE FIGURE 2)

- Mount the baffle (3) onto the gear box with a screw (4) as shown.

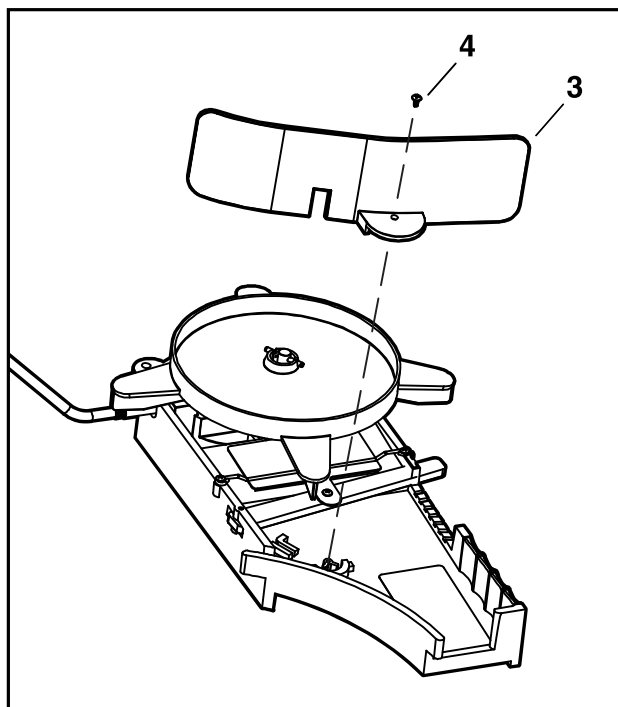


FIGURE 2

## OPERATION

- Once you know what type of seed you'll be spreading, use either the chart below or the one located on the bottom of the spreader to determine the spacing by spreading the indicator to the size required.
- Close and double check the slide gate to ensure it is closed before filling the bag with seed.
- When you are sure the slide gate is closed, fill the bag to at least ½ full of seed.
- Hold the bag seeder against your hip and slide the shoulder holster over your shoulder.
- Continuously turn the handle in a clockwise direction and walk at a consistent pace to help spread the seed evenly. To adjust the slide gate, press down on the control lever to reach the desired setting. (See Figure 3)
- Press down on the control lever and move the position to 0 to fully close the slide gate.



FIGURE 3

### SPREADER SETTINGS

MATERIAL TYPE	BROADCAST WIDTH (FT.)	SEEDER SETTING
FERTILIZER	Up to 14'	2
	Up to 16'	4
	Up to 18'	6
GRASS SEED	Up to 9'	2
	Up to 12'	4
	Up to 14'	6

\* Due to the variables involved, these settings are intended for reference only.