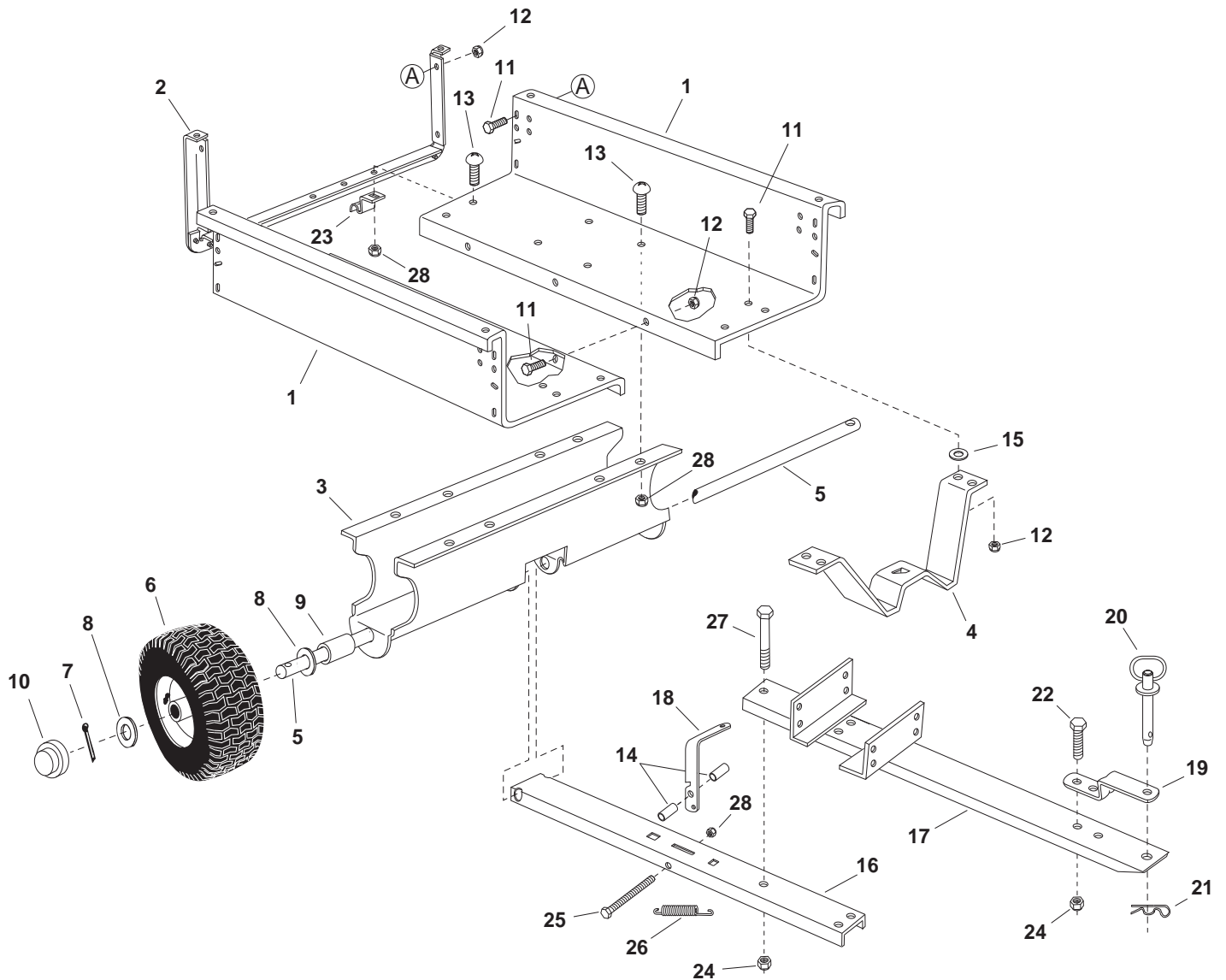


PARTS

REPAIR PARTS FOR MODEL 501887, 551887 & 190-217D-100 CART BODY

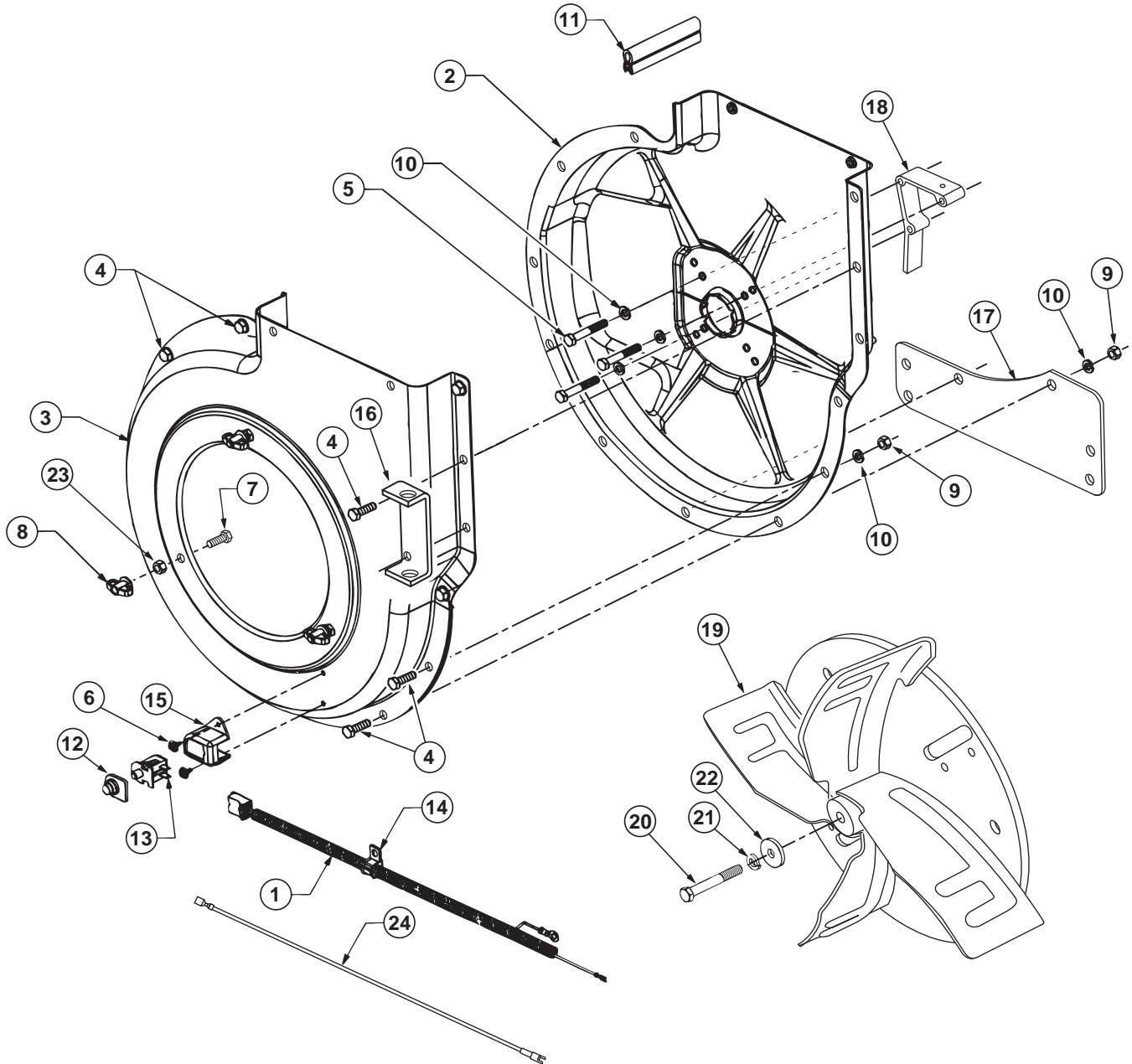


REF.	PART NO.	QTY.	DESCRIPTION	REF.	PART NO.	QTY.	DESCRIPTION
1	23985	2	Cart Body	15	43088	2	Washer, Flat 1/4"
2	62458	1	Tailgate Reinforcement Bracket	16	63917	1	Tongue Weldment Ass'y. (Rear)
3	23507	1	Wheel Support	17	63155	1	Tongue Weldment Ass'y. (Front)
4	24497	1	Latch Stand Bracket	18	24614	1	Latch Lock Lever
5	24897	1	Axle, Wheel 1" Dia.	19	23475	1	Hitch Bracket
6	46272	2	Wheel w/Tire, 15 x 6.00	20	43884	1	Hitch Pin
7	43093	2	Cotter Pin, 1/8" Dia. x 1-1/2"	21	43343	1	Pin, Hair Cotter 1/8"
8	43601	4	Washer, Flat 1"	22	43087	2	Hex Bolt, 3/8-16 x 1-1/4"
9	44678	2	Spacer Tube, 1-1/4" x 2" Lg.	23	23838	2	Door Support
10	43014	2	Hub Cap	24	HA21362	5	Nut, Hex Nylock 3/8-16
11	43866	9	Hex Bolt, 1/4-20 x 5/8"	25	47407	1	Hex Bolt, 5/16-18 x 3-3/4"
12	47189	9	Hex Nut, 1/4-20 Nylock	26	47408	1	Spring, Extension
13	43814	12	Truss Hd. Bolt, 5/16-18 x 3/4"	27	43574	3	Hex Bolt, 3/8-16 x 3"
14	41076	2	Spacer	28	47810	13	Hex Nut, 5/16-18 Nylock

REPAIR PARTS FOR MODEL 501887, 551887 & 190-217D-100 MOW-N-VAC

REF	PART NO.	QTY.	DESCRIPTION	REF	PART NO.	QTY.	DESCRIPTION
1	24080	1	Engine Base	25	43910	21	Washer, Flat 3/16"
2	24078	2	Brace, Housing	26	24798	4	Boot Mounting Strap
3	63226	1	Hose Hanger Bracket Ass'y. (Ref. item #16 on page 22.)	27	48133	1	Hard top Boot
4	43182	14	Bolt, Hex 5/16-18 x 3/4"	28	44790	1	Poly Rear Door
5	43840	2	Bolt, Hex 5/16-18 x 1-1/4"	29	43790	1	Strap, Tarp 25"
6	43085	4	Bolt, Hex 5/16-18 x 1-1/2"	30	44849	4	"S" Hook, #32
7	1543-69	9	Washer, Nylon 21/64"	31	44850	4	Strap, Tarp (Less Hooks)
8	47810	18	Nut, Hex Nylock 5/16-18	32	23540	1	Hitch Plate
9	43791	1	Hose Adapter	33	43866	20	Bolt, Hex 1/4-20 x 5/8"
10		1	Impeller Housing Assembly (See page 22)	34	43661	6	Bolt, Hex 1/4-20 x 1"
11	712-0421	3	Knob (See Item #8, Page 22)	35	43088	45	Washer, 1/4" STD
12	43012	13	Bolt, Hex 1/4-20 x 3/4"	36	1509-90	5	Bolt, Hex 1/4-20 x 1-1/4"
13	43080	2	Bolt, Carr. 5/16" x 3/4"	37	47189	43	Nut, Hex Nylock 1/4-20
14	40995	1	Engine (49 State)	38	47630	4	Screw, Self Tap 5/16-18 x 3/4"
	40998	1	Engine (California)	39	23789	2	Door Latch
15	222261	1	Deflector, Muffler	40	43351	1	Bolt, Hex 1/2-13 x 1-1/4"
16	49974	1	Hose Hanger Rod	41	712-3083	1	Nut, Hex Nylock 1/2-13
17	46420	1	Elbow	42	43352	1	Washer, Flat 7/16"
18	43792	1	Hose (6" x 84")	43	43081	16	Washer, 5/16" STD
19	43793	2	Hose Clamp 6"	44	43830	1	Adapter, Deck
20	24678	2	Side Panel Cart Extension	45	23560	1	Bracket, Deck Adapter
21	24679	1	Front Panel Cart Extension	46	23825	1	Mounting Strap
22	23836	1	Cross Brace	47	23826	1	Angle Bracket
23	64244	1	Hard Top Assembly (Includes 24,25,26,27)	48	23827	1	Mounting Bracket
				49	62468	1	Deck Adapter Kit (Includes parts in box shown on page 20)
24	43882	21	Rivet, 3/16"		49942	1	Owner's Manual

REPAIR PARTS FOR MODEL 501887, 551887 & 190-217D-100 MOW-N-VAC IMPELLER HOUSING ASSEMBLY



REF.	PART NO.	QTY.	DESCRIPTION	REF.	PART NO.	QTY.	DESCRIPTION
1	629-0241A	1	Harness, Wire	13	725-3166	1	Snap Mount Switch
2	24634	1	Housing Ass'y. Inner	14	726-0272	1	Clamp
3	24633	1	Housing Ass'y. Outer	15	731-1613	1	Cover, Switch
4	43182	12	Bolt, Hex 5/16-18 x 3/4"	16	24958	1	Hose Hanger Bracket
5	710-0772	3	Bolt, Hex 5/16-24 x 2"	17	24606	1	Spacer, Housing
6	710-1268	2	Screw, Self Tap #10-16 x 3/8"	18	719-0330A	1	Adapter, Mounting
7	43063	3	Bolt, Hex 5/16-18 x 1"	19	63924	1	Impeller Assembly
8	712-0421	3	Knob	20	710-1273	1	Bolt, Hex 3/8-24 x 2-3/4"
9	48848	12	Nut, Nylock Jam 5/16-18	21	43003	1	Lockwasher, 3/8"
10	43086	3	Lock Washer, 5/16"	22	736-0247	1	Flat Washer, 13/32" x 1-1/4"
11	723-0438	1	Seal, Rubber	23	46584	3	Nut, Whizlock 5/16-18
12	725-1700	1	Cover, Switch	24	629-0923	1	Harness Adapter