



SAFETY AND INSTRUCTIONAL LABELS
ATTENTION! BECOME ALERT! YOUR SAFETY IS INVOLVED!
 Replace Damaged or Missing Labels Immediately!



1 - PN 5CS50910

CAUTION

1. Read and understand the Operator's Manual before using.
2. Tractor cab may not provide sufficient protection. See Tractor's Operator's Manual.
3. Stay away from chemicals, spray, and drift.
4. Before servicing or filling sprayer, lower all equipment to the ground, set the park brake, stop the engine, and remove the key.
5. Keep hands, feet, hair, and clothing away from moving parts.
6. Clear the area of bystanders before extending or folding booms.
7. Do not allow riders.
8. Keep others away.

ST50910

2 - PN 5CS50927

WARNING



To avoid injury from chemical hazards due to eye and skin contact, inhalation, and ingestion, wear personal protective equipment. Read and follow chemical manufacturer's labels and instructions.

ST50927

3 - PN 5CS4894

NOTICE

If used or transported on roadway, contact your dealer to obtain necessary lighting kit.

ST48594

4 - Serial Number Tag

FRONTIER

Serial Number
 XXXXXXXXXXXXXXXXXXXX



110 GALLON LIQUID SPRAYER MODEL# LS2011

MADE IN USA
 DEERE & COMPANY, MOLINE, ILLINOIS, USA

5 - 5CS50930 (LS2011) / 5CS50931 (LS2015)

LS2011 110 GALLON LIQUID SPRAYER

Mfg Date: MM/DD/YYYY
 Mass (Empty): 271 - 450 Lbs (123 - 204 Kg)
 Mass (Laden): 1229 - 1450 Lbs (557 - 658 Kg)
 Tank Volume: 110 Gal (416 L)
 Max Working Pressure: 150 psi (10.3 Bar)
 Nominal Rotating Frequency: 540 RPM

ST50930

6 - PN 5CS50909

WARNING

Water for rinse/wash purposes only. Do not drink from this container. Container may become contaminated by sprayer chemicals. Fill with clean rinse water only.

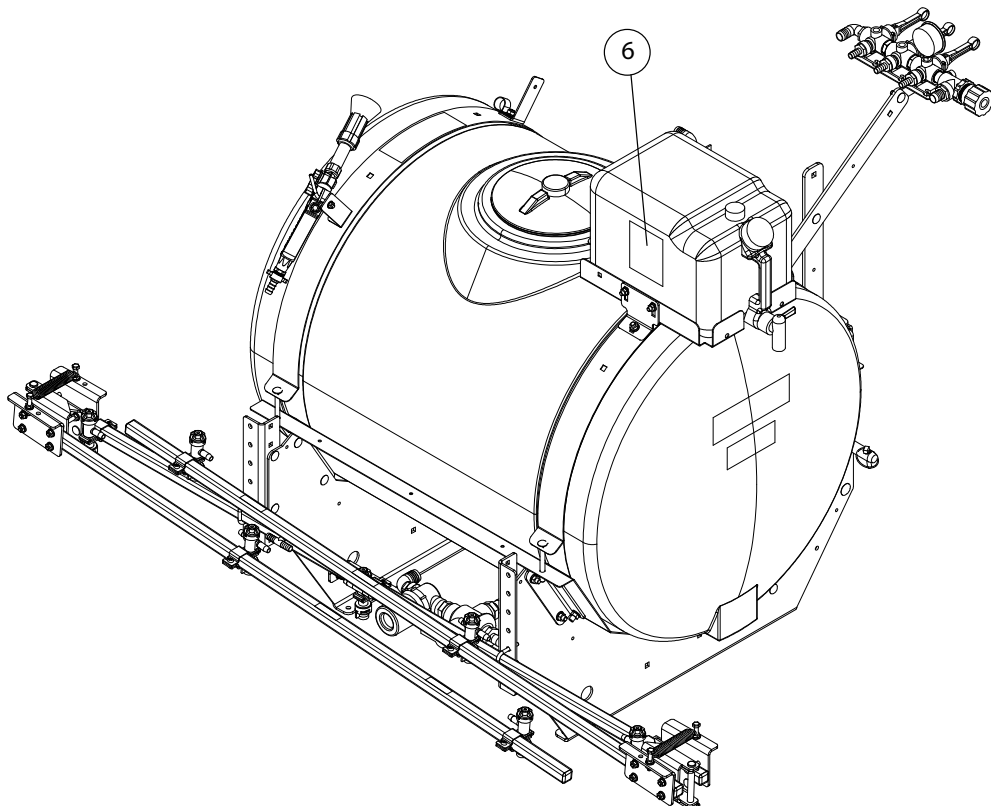
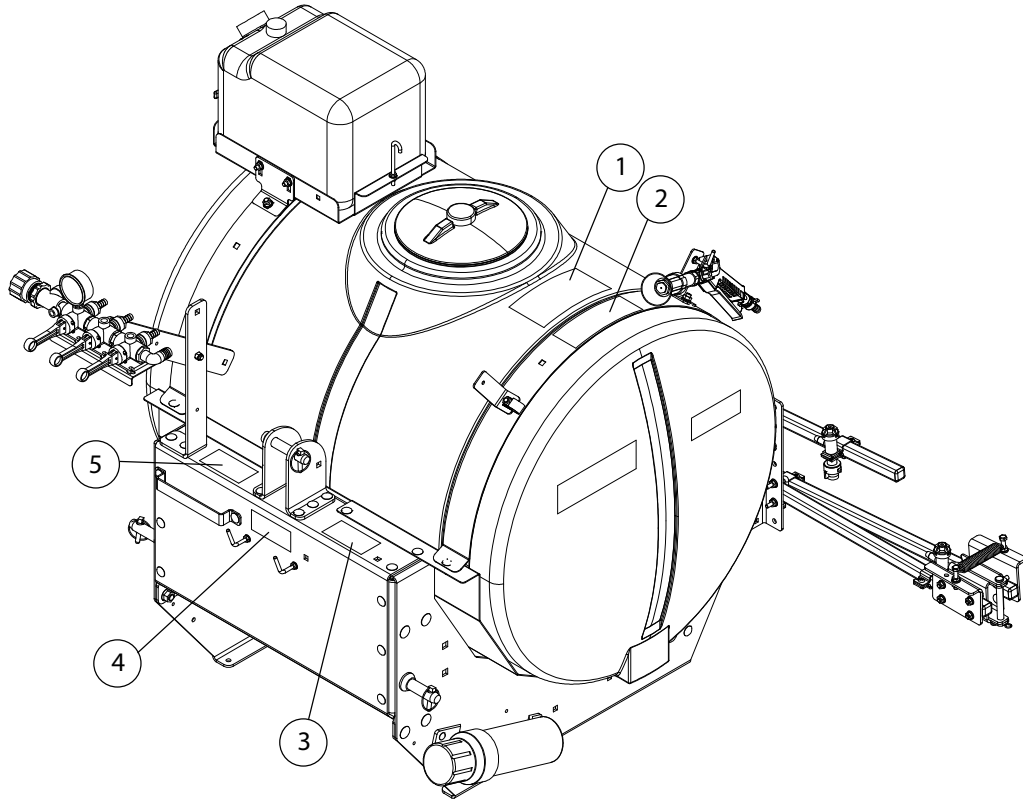
ST50909



SAFETY AND INSTRUCTIONAL LABELS
ATTENTION! BECOME ALERT! YOUR SAFETY IS INVOLVED!
Replace Damaged or Missing Labels Immediately!



(Safety Decals continued from previous page)



SPECIFICATIONS

LS2011 Specifications

| | | Boom Option | | | |
|----------------------------|---------------------------|---|-----------------|---|---|
| | | 18 ft | 24 ft | 30 ft | Boomless |
| Capacity | Sprayer Tank | 110 gal (416 L) | | | |
| | Fresh Water Tank | 5 gal (19 L) | | | |
| Dimension | Working Width | 18 ft (5.5 m) | 24 ft (7.3 m) | 30 ft (9.1 m) | 30 ft (9.1 m) |
| | Transport Width | 77 in (196 cm) | 76 in (193 cm) | 76 in (193 cm) | 42 in (107 cm) |
| | Transport Length | 57 in (145 cm) | 54 in (137 cm) | 54 in (137 cm) | 51 in (130 cm) |
| | Transport Height | 57 in (145 cm) | 83 in (211 cm) | 89 in (226 cm) | 57 in (145 cm) |
| Weight | Empty Weight | 271 - 450 Lbs (123 - 204 Kg) | | | |
| | Laden Weight | 1229 - 1450 Lbs (557 - 658 Kg) | | | |
| Tractor Requirement | Hitch Compatibility | CAT 1 (CAT 2 Optional Kit 5CS0023) | | | |
| | Quick Hitch Compatability | Yes | | | |
| | On Highway Kit | | | | |
| | Connection | 7 pin Trailer Plug (SAE J560) | | | |
| Pump | Pump A | Hypro 6 roller PTO Cast Iron (6500C) | | | Hypro 6 roller PTO Cast Iron (6500C) |
| | Max Flow @ 540 RPM | 9.7 gpm (36.7 l/min) | | - | 9.7 gpm (36.7 l/min) |
| | Max Pressure | 300 psi (20.7 bar) | | - | 300 psi (20.7 bar) |
| | Pump B | Hypro 6 roller PTO Silver Cast (6500XL) | | | Hypro 6 roller PTO Silver Cast (6500XL) |
| | Max Flow @ 540 RPM | 9.7 gpm (36.7 l/min) | | - | 9.7 gpm (36.7 l/min) |
| | Max Pressure | 300 psi (20.7 bar) | | - | 300 psi (20.7 bar) |
| | Pump C | | | Hypro 7 roller PTO Cast Iron (7700C) | |
| | Max Flow @ 540 RPM | - | - | 14.2 gpm (53.8 l/min) | - |
| | Max Pressure | - | - | 200 psi (13.8 bar) | - |
| | Pump D | | | Hypro 7 roller PTO Silver Cast (7700XL) | |
| | Max Flow @ 540 RPM | - | - | 14.2 gpm (53.8 l/min) | - |
| | Max Pressure | - | - | 200 psi (13.8 bar) | - |
| Boom | Type | Dry boom | | | N/A |
| | Hose Size | 1/2 in (1.3 cm) | 1/2 in (1.3 cm) | 1/2 in (1.3 cm) | 1/2 in (1.3 cm) |
| | Construction | Square tube | | | N/A |
| | Breakaway | Rear | | | N/A |
| | Fold | Manual | | | N/A |
| | Sections | 3 | 3 | 3 | 3 |

LS2011 Specifications

| | | | | | |
|---------------------------|---------------------------|-------------------------------------|---------------------|---------------------|---------------------|
| Application System | Spray Tips | | | | |
| | Qty | 7 | 14 | 18 | 3 |
| | Type | Air Induction, 110° Flat Spray | | | Flood |
| | Size (gpm) | 0.4 gpm (1.5 l/min) | 0.4 gpm (1.5 l/min) | 0.4 gpm (1.5 l/min) | 0.5 gpm (1.9 l/min) |
| | Spacing | 30 in (76 cm) | 20 in (51 cm) | 20 in (51 cm) | N/A |
| | Nozzle Body | 1/4 turn diaphragm with check valve | | | |
| | Control System | | | | |
| | Pump Control | PTO | | | |
| | Pressure Control | Adjustable | | | |
| | Max Working Pressure | 150 psi (10.3 bar) | | | |
| | Section Control | 6B Control Valves | | | |
| | Agitation | Jet Agitation | | | |
| | Spot Sprayer | | | | |
| | Style | Spray Gun | | | |
| | Hose Length | 30 ft (9.1 m) | | | |
| | Optional Hose Reel | | | | |
| | Hose Length | 100 ft (30.5 m) | | | |

LS2015 Specifications

| | | Boom Option | | | |
|----------------------------|---------------------------|---|-----------------|---|---|
| | | 18 ft | 24 ft | 30 ft | Boomless |
| Capacity | Sprayer Tank | 150 gal (568 L) | | | |
| | Fresh Water Tank | 5 gal (19 L) | | | |
| Dimension | Working Width | 18 ft (5.5 m) | 24 ft (7.3 m) | 30 ft (9.1 m) | 30 ft (9.1 m) |
| | Transport Width | 77 in (196 cm) | 76 in (193 cm) | 76 in (193 cm) | 55 in (140 cm) |
| | Transport Length | 57 in (145 cm) | 54 in (137 cm) | 54 in (137 cm) | 51 in (130 cm) |
| | Transport Height | 57 in (145 cm) | 83 in (211 cm) | 89 in (226 cm) | 57 in (145 cm) |
| Weight | Empty Weight | 293 - 472 Lbs (133 - 214 Kg) | | | |
| | Laden Weight | 1585 - 1806 Lbs (719 - 819 Kg) | | | |
| Tractor Requirement | Hitch Compatibility | CAT 2 | | | |
| | Quick Hitch Compatibility | Yes | | | |
| | On Highway Kit | | | | |
| | Connection | 7 pin Trailer Plug (SAE J560) | | | |
| Pump | Pump A | Hypro 6 roller PTO Cast Iron (6500C) | | | Hypro 6 roller PTO Cast Iron (6500C) |
| | Max Flow @ 540 RPM | 9.7 gpm (36.7 l/min) | | - | 9.7 gpm (36.7 l/min) |
| | Max Pressure | 300 psi (20.7 bar) | | - | 300 psi (20.7 bar) |
| | Pump B | Hypro 6 roller PTO Silver Cast (6500XL) | | | Hypro 6 roller PTO Silver Cast (6500XL) |
| | Max Flow @ 540 RPM | 9.7 gpm (36.7 l/min) | | - | 9.7 gpm (36.7 l/min) |
| | Max Pressure | 300 psi (20.7 bar) | | - | 300 psi (20.7 bar) |
| | Pump C | | | Hypro 7 roller PTO Cast Iron (7700C) | |
| | Max Flow @ 540 RPM | - | - | 14.2 gpm (53.8 l/min) | - |
| | Max Pressure | - | - | 200 psi (13.8 bar) | - |
| | Pump D | | | Hypro 7 roller PTO Silver Cast (7700XL) | |
| | Max Flow @ 540 RPM | - | - | 14.2 gpm (53.8 l/min) | - |
| | Max Pressure | - | - | 200 psi (13.8 bar) | - |
| Boom | Type | Dry boom | | | N/A |
| | Hose Size | 1/2 in (1.3 cm) | 1/2 in (1.3 cm) | 1/2 in (1.3 cm) | 1/2 in (1.3 cm) |
| | Construction | Square tube | | | N/A |
| | Breakaway | Rear | | | N/A |
| | Fold | Manual | | | N/A |
| | Sections | 3 | 3 | 3 | 3 |

LS2015 Specifications

| | | | | | |
|---------------------------|---------------------------|-------------------------------------|---------------------|---------------------|---------------------|
| Application System | Spray Tips | | | | |
| | Qty | 7 | 14 | 18 | 3 |
| | Type | Air Induction, 110° Flat Spray | | | Flood |
| | Size (gpm) | 0.4 gpm (1.5 l/min) | 0.4 gpm (1.5 l/min) | 0.4 gpm (1.5 l/min) | 0.5 gpm (1.9 l/min) |
| | Spacing | 30 in (76 cm) | 20 in (51 cm) | 20 in (51 cm) | N/A |
| | Nozzle Body | 1/4 turn diaphragm with check valve | | | |
| | Control System | | | | |
| | Pump Control | PTO | | | |
| | Pressure Control | Adjustable | | | |
| | Max Working Pressure | 150 psi (10.3 bar) | | | |
| | Section Control | 6B Control Valves | | | |
| | Agitation | Jet Agitation | | | |
| | Spot Sprayer | | | | |
| | Style | Spray Gun | | | |
| | Hose Length | 30 ft (9.1 m) | | | |
| | Optional Hose Reel | | | | |
| | Hose Length | 100 ft (30.5 m) | | | |

TRACTOR BALLASTING

LS2011 110 Gallon Sprayer 18 ft Boom, 24 ft Boom, 30 ft Boom, and Boomless

| Boom Options | | | | Accessories | Full Tank | |
|---------------|-----------|-----------|-----------|-----------------|--------------|----------------|
| 30ft Boomless | 30ft Boom | 24ft Boom | 18ft Boom | 100ft Hose Reel | Weight (lbs) | Implement Code |
| | | | X | | 1263 | 71 |
| | | | X | X | 1319 | 73 |
| | | X | | | 1304 | 74 |
| | | X | | X | 1360 | 76 |
| | X | | | | 1314 | 74 |
| | X | | | X | 1370 | 77 |
| X | | | | | 1229 | 68 |
| X | | | | X | 1285 | 70 |

Note: Road Lighting Kit (5CS0017) included in tractor ballasting information.

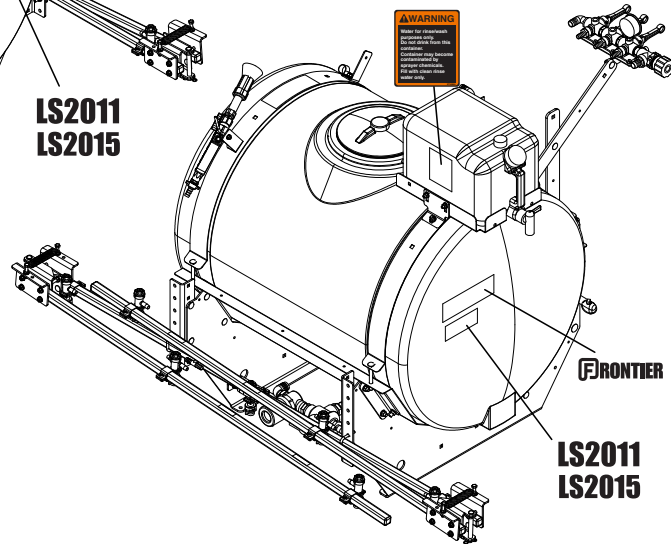
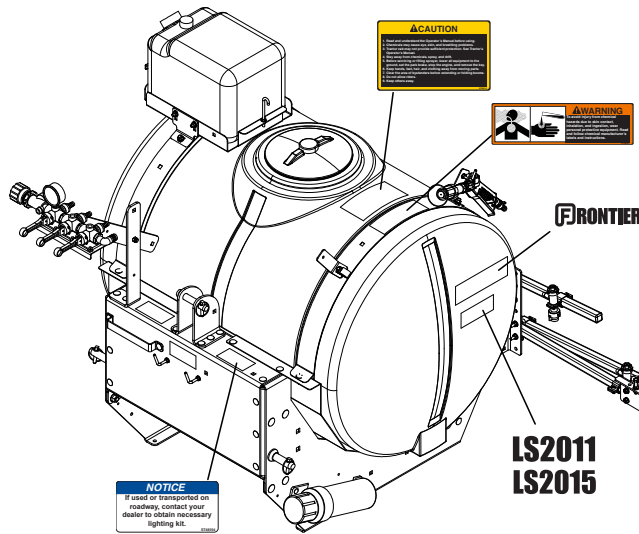
LS2015 150 Gallon Sprayer 18 ft Boom, 24 ft Boom, 30 ft Boom, and Boomless

| Boom Options | | | | Accessories | Full Tank | |
|---------------|-----------|-----------|-----------|-----------------|--------------|----------------|
| 30ft Boomless | 30ft Boom | 24ft Boom | 18ft Boom | 100ft Hose Reel | Weight (lbs) | Implement Code |
| | | | X | | 1619 | 90 |
| | | | X | X | 1675 | 93 |
| | | X | | | 1660 | 93 |
| | | X | | X | 1716 | 96 |
| | X | | | | 1670 | 94 |
| | X | | | X | 1726 | 97 |
| X | | | | | 1585 | 88 |
| X | | | | X | 1641 | 90 |

Note: Road Lighting Kit (5CS0017) included in tractor ballasting information.

PARTS DIAGRAMS

Safety Decals Kit and Model Decals



- 1 - English
- 2 - French
- 3 - Spanish

- 4 - English
- 5 - French
- 6 - Spanish

CAUTION

1. Read and understand the Operator's Manual before using.
2. Chemicals may cause eye, skin, and breathing problems.
3. Tractor cab may not provide sufficient protection. See Tractor's Operator's Manual.
4. Stay away from chemicals, spray, and dirt.
5. Before servicing or filling sprayer, lower all equipment to the ground, set the park brake, stop the engine, and remove the key.
6. Keep hands, feet, hair, and clothing away from moving parts.
7. Clear the area of bystanders before extending or folding booms.
8. Do not allow riders.
9. Keep others away.

WARNING

Water for rinse/wash purposes only. Do not drink from this container. Container may become contaminated by sprayer chemicals. Fill with clean rinse water only.

WARNING

To avoid injury from chemical residues due to skin contact, inhalation, and ingestion, wear personal protective equipment. Read and follow chemical manufacturer's labels and instructions.

OPERATOR'S MANUAL

LIQUID SPRAYER

LS2011
LS2015

FRONTIER

NOTICE

If used or transported on roadway, contact your dealer to obtain necessary lighting kit.

ST48594

Operator's Manual and Safety Decal Kit

CAUTION

1. Read and understand the Operator's Manual before using.
2. Chemicals may cause eye, skin, and breathing problems.
3. Tractor cab may not provide sufficient protection. See Tractor's Operator's Manual.
4. Stay away from chemicals, spray, and dirt.
5. Before servicing or filling sprayer, lower all equipment to the ground, set the park brake, stop the engine, and remove the key.
6. Keep hands, feet, hair, and clothing away from moving parts.
7. Clear the area of bystanders before extending or folding booms.
8. Do not allow riders.
9. Keep others away.

WARNING

Water for rinse/wash purposes only. Do not drink from this container. Container may become contaminated by sprayer chemicals. Fill with clean rinse water only.

WARNING

To avoid injury from chemical residues due to skin contact, inhalation, and ingestion, wear personal protective equipment. Read and follow chemical manufacturer's labels and instructions.

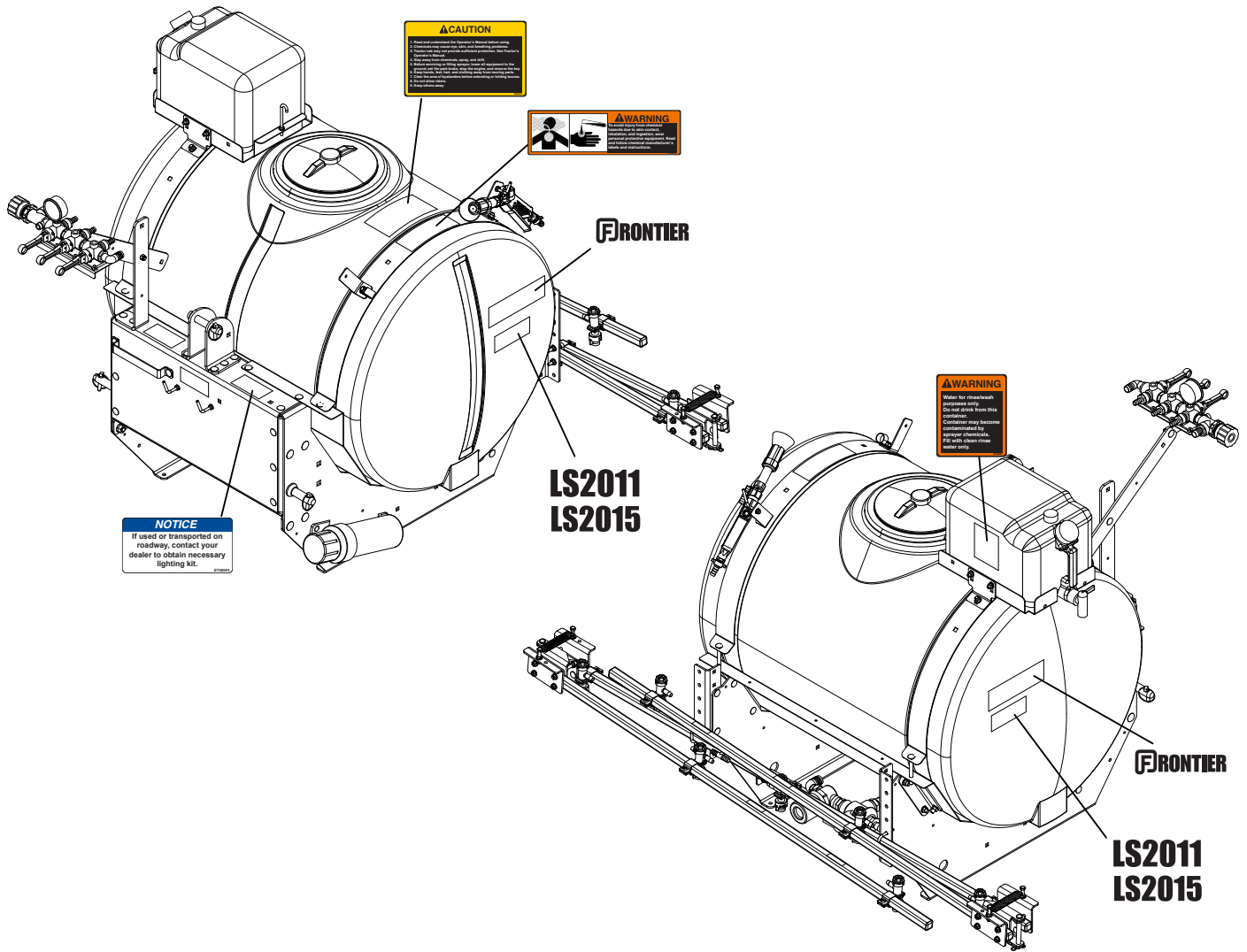
NOTICE

If used or transported on roadway, contact your dealer to obtain necessary lighting kit.

ST48594

Replacement Safety Decal Kit

Safety Decals Kit and Model Decals



7

FRONTIER
Qty. 2

LS2011
Qty. 2

Replacement Decal Kit - LS2011

8

FRONTIER
Qty. 2

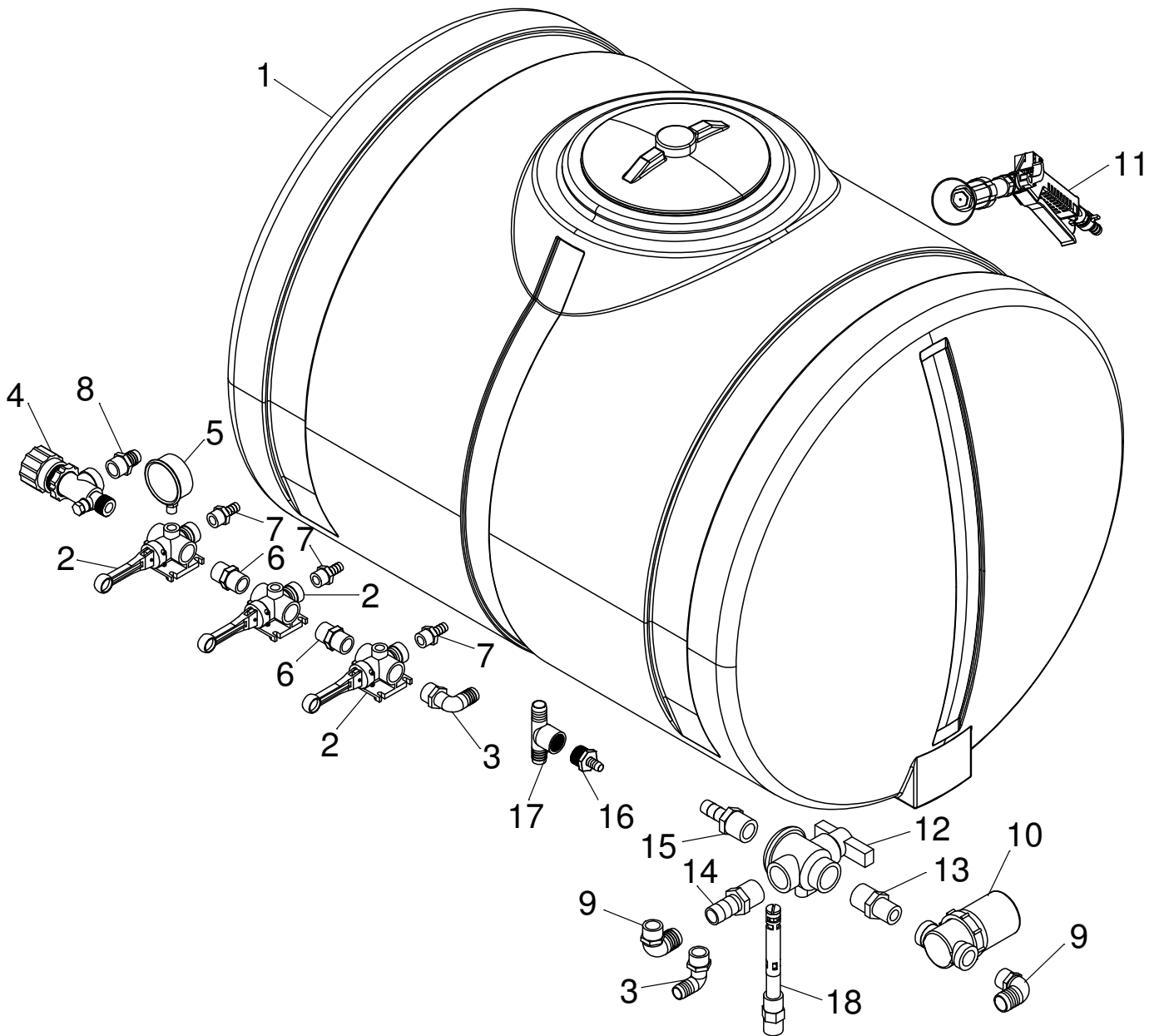
LS2015
Qty. 2

Replacement Decal Kit - LS2015

Safety Decals Kit and Model Decals

| ITEM NO. | PART NUMBER | DESCRIPTION | QTY. | Note |
|----------|-------------|--|------|---|
| 1 | 5CS0026 | OM and Safety Decal Kit - English | 1 | Includes Operator's Manual, Qty 2 Caution Label, Warning Label and Notice label |
| 2 | 5CS0029 | OM and Safety Decal Kit - French | 1 | |
| 3 | 5CS0032 | OM and Safety Decal Kit - Spanish | 1 | |
| 4 | 5CS44001 | Replacement Safety Decal Kit - English | 1 | Includes Qty 2 Caution Label, Warning Label and Notice label |
| 5 | 5CS44002 | Replacement Safety Decal Kit - French | 1 | |
| 6 | 5CS44003 | Replacement Safety Decal Kit - Spanish | 1 | |
| 7 | 5CS44004 | Replacement Decal Kit - LS2011 | 1 | Includes Qty 2 Frontier Decal and Qty 2 Model Decal |
| 8 | 5CS44005 | Replacement Decal Kit - LS2015 | 1 | Includes Qty 2 Frontier Decal and Qty 2 Model Decal |

110 Gallon Plumbing

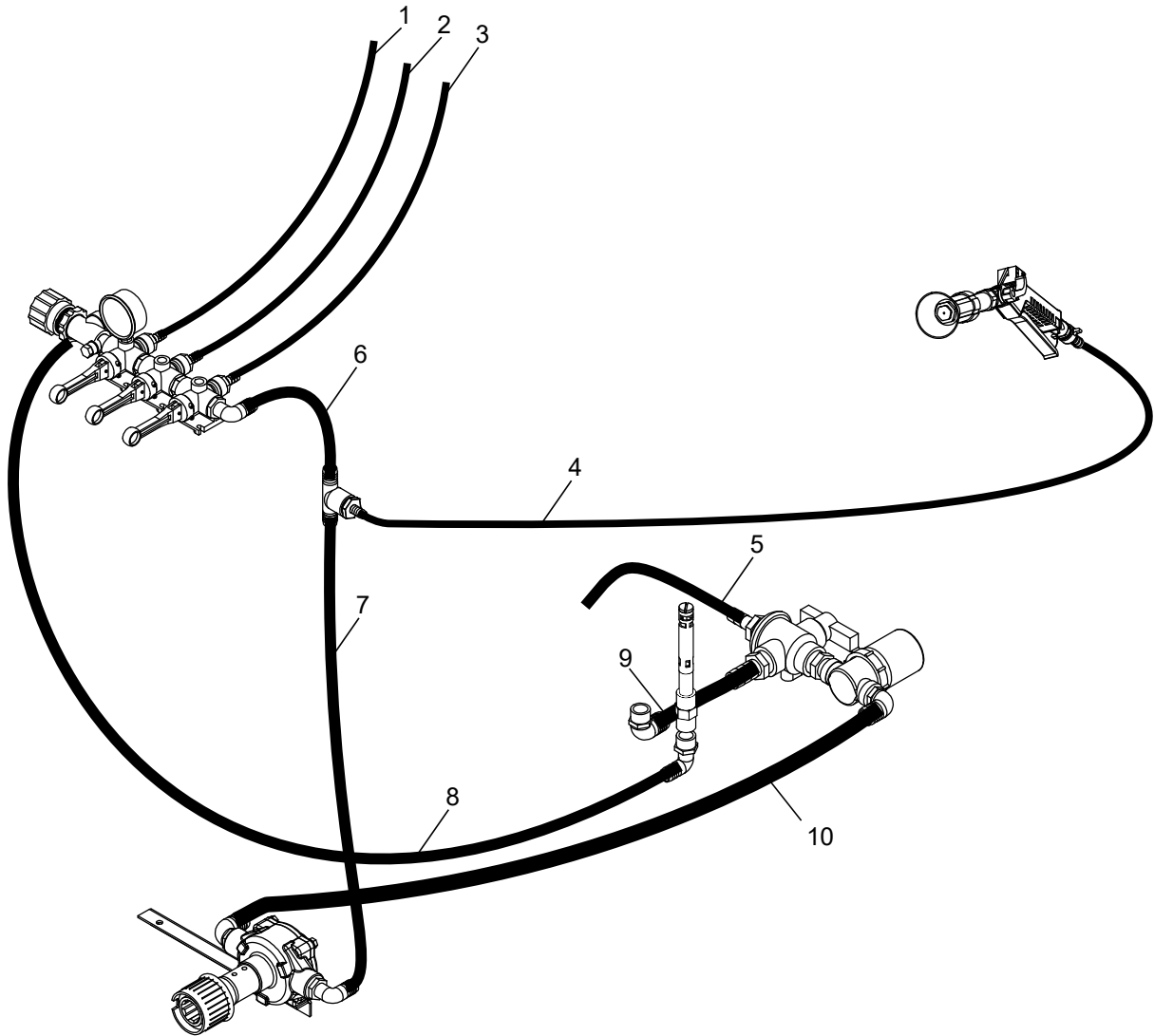


| ITEM NO. | PART NUMBER | DESCRIPTION | QTY. | Note |
|----------|-------------|-----------------------------|------|------|
| 1 | 5CS43723 | 110 Gallon Tank | 1 | |
| 2 | 5CS43634 | Control Valve | 3 | |
| 3 | 5CS43633 | Elbow 3/4" MP - 3/4" barb | 2 | |
| 4 | 5CS43635 | Relief Valve 3/4" | 1 | |
| 5 | 5CS43987 | Gauge 160 PSI | 1 | |
| 6 | 5CS43630 | 3/4" Pipe Nipple | 2 | |
| 7 | 5CS43423 | Fitting 1/2 Barb - 1/2 MP | 3 | |
| 8 | 5CS43636 | Fitting 3/4" MP - 3/4" barb | 1 | |

110 Gallon Plumbing

| ITEM NO. | PART NUMBER | DESCRIPTION | QTY. | Note |
|----------|-------------|---|------|------|
| 9 | 5CS43638 | Elbow 3/4" MP - 1" barb | 2 | |
| 10 | 5CS43631 | Filter | 1 | |
| 11 | 5CS43435 | Sprayer Handgun | 1 | |
| 12 | 5CS43974 | 3 Way Ball Valve 1" | 1 | |
| 13 | 5CS43975 | Fitting 1" MP - 3/4" MP | 1 | |
| 14 | 5CS43976 | Fitting 1" MP - 1" Hose Barb | 1 | |
| 15 | 5CS43977 | Fitting 1" MP - 3/4" Hose Barb | 1 | |
| 16 | 5CS43641 | Fitting 3/4" MP - 1/2" Hose | 1 | |
| 17 | 5CS43640 | Tee, 3/4" Hose - 3/4" Hose - 3/4" FP | 1 | |
| 18 | 5CS43661 | Jet Agitator | 1 | |

110 Gallon Hoses

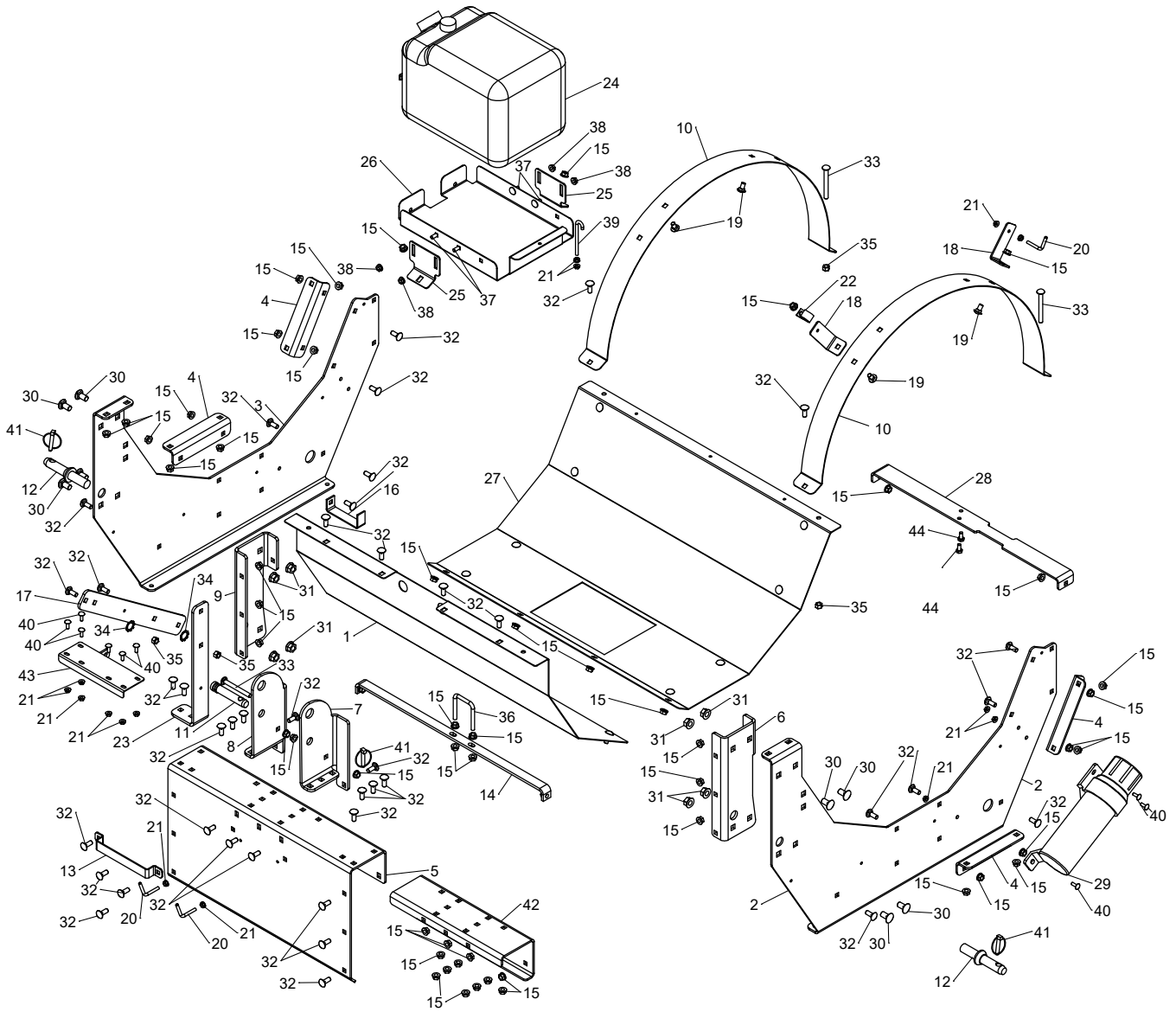


| ITEM NO. | PART NUMBER | DESCRIPTION | QTY. | Note |
|----------|-------------|-------------|------|--------------------------|
| 1 | | 1/2" Hose | 1 | CTL 108", MF 5CS43418 |
| 2 | | 1/2" Hose | 1 | CTL 144", MF 5CS43418 |
| 3 | | 1/2" Hose | 1 | CTL 156", MF 5CS43418 |
| 4 | | 1/2" Hose | 1 | CTL 360", MF 5CS43418 |
| 5 | | Hose 3/4" | 1 | CTL 12", MF 5CS43656 |

110 Gallon Hoses

| ITEM NO. | PART NUMBER | DESCRIPTION | QTY. | Note |
|----------|-------------|--------------------------------------|------|-------------------------|
| 6 | | Hose 3/4" | 1 | CTL 24", MF 5CS43656 |
| 7 | | Hose 3/4" | 1 | CTL 60", MF 5CS43656 |
| 8 | | Hose 3/4" | 1 | CTL 72", MF 5CS43656 |
| 9 | | Suction Hose 1" | 1 | CTL 8", MF 5CS43654 |
| 10 | | Suction Hose 1" | 1 | CTL 56", MF 5CS43654 |
| - | 5CS43652 | Hose Clamp Screw Type 3/8" - 1/2" | 8 | Not Illustrated |
| - | 5CS43653 | Hose Clamp Screw Type 3/4" | 6 | Not Illustrated |
| - | 5CS43654 | Hose Clamp Screw Type 1" | 4 | Not Illustrated |

110 Gallon Frame

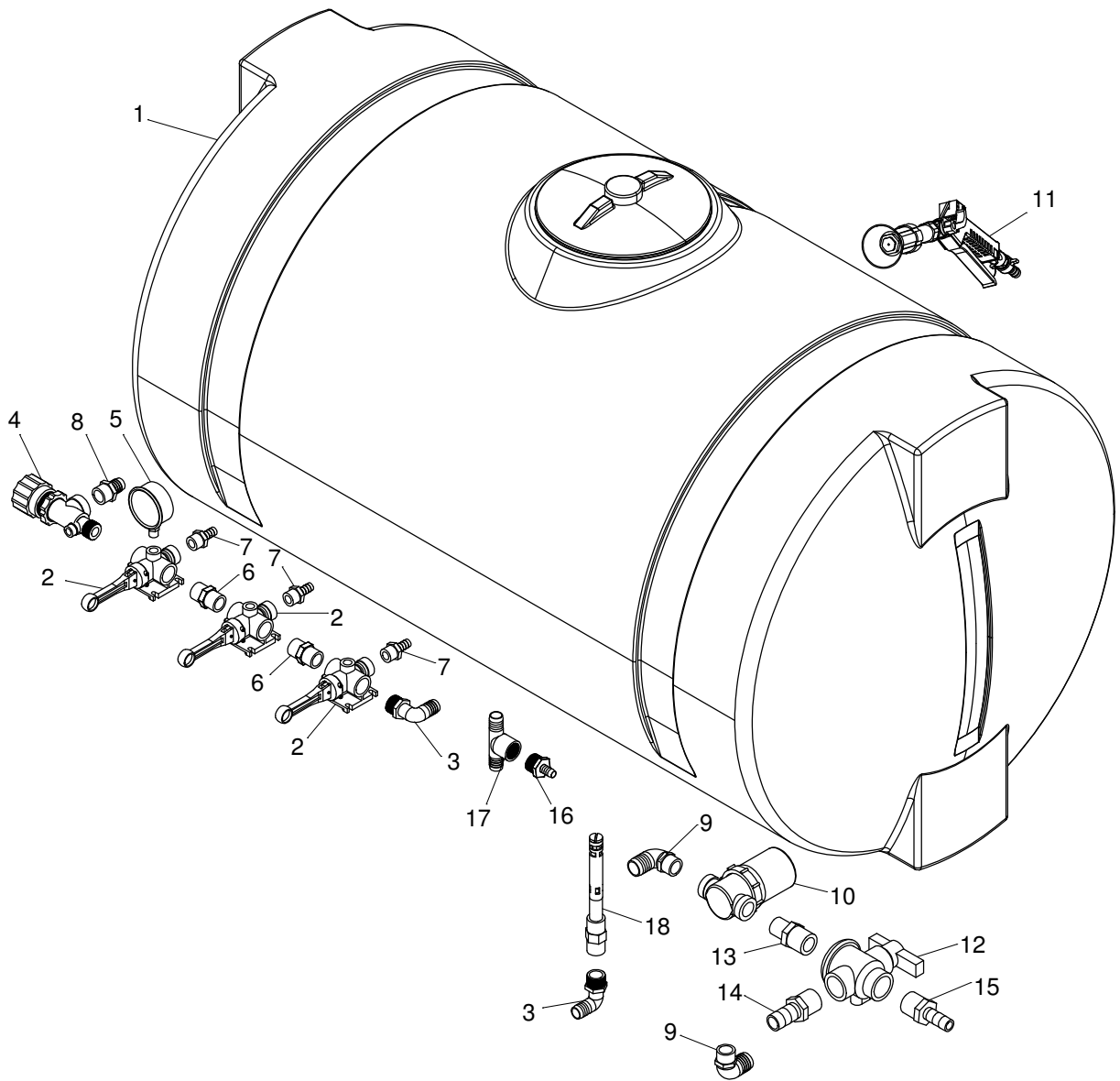


| ITEM NO. | PART NUMBER | DESCRIPTION | QTY. | Note |
|----------|-------------|----------------------------|------|------|
| 1 | 5CS43953 | 110 gal Tank Support Front | 1 | |
| 2 | 5CS43957 | Frame Left | 1 | |
| 3 | 5CS43958 | Frame Right | 1 | |
| 4 | 5CS43699 | Tray Support Angle | 4 | |
| 5 | 5CS43959 | Frame Front | 1 | |
| 6 | 5CS43960 | Front Angle LH | 1 | |
| 7 | 5CS43989 | Top Pin Bracket LH | 1 | |
| 8 | 5CS43990 | Top Pin Bracket RH | 1 | |
| 9 | 5CS43961 | Front Angle RH | 1 | |

110 Gallon Frame

| ITEM NO. | PART NUMBER | DESCRIPTION | QTY. | Note |
|----------|-------------|-----------------------------|------|-----------------|
| 10 | 5CS43715 | Tank Strap | 2 | |
| 11 | 5CS43399 | Top Pin, Cat 1 | 1 | |
| 12 | 5CS61509 | Cat 1 Pin with Hardware | 2 | |
| 13 | 5CS43733 | Hose Guide Front | 1 | |
| 14 | 5CS43734 | Bottom Brace | 1 | |
| 15 | E55662 | 3/8" Flange Nut | 64 | |
| 16 | 5CS43746 | Hose Guide Rear | 1 | |
| 17 | 5CS43745 | Control Post Support | 1 | |
| 18 | 5CS43747 | Spray Gun Bracket | 2 | |
| 19 | 5CS65081 | 3/8" x 3/4" Carriage Bolt | 4 | |
| 20 | 5CS62008 | 1/4" Bent Pin | 3 | |
| 21 | N10217 | 1/4" Flange Nut | 17 | |
| 22 | 5CS43663 | Hose Holder 1/2" | 1 | |
| 23 | 5CS43964 | Control Post Support | 1 | |
| 24 | 5CS43978 | Fresh Water Tank | 1 | |
| 25 | 5CS43966 | Fresh Water Tank Bracket | 2 | |
| 26 | 5CS43965 | Fresh Water Tank Tray | 1 | |
| 27 | 5CS43954 | 110 gal Tank Support Rear | 1 | |
| 28 | 5CS43972 | Valve Support | 1 | |
| 29 | 5CS43950 | Manual Canister | 1 | |
| 30 | 5CS65044 | 1/2" x 1" Carriage Bolt | 8 | |
| 31 | 5CS65037 | 1/2" Flange Nut | 8 | |
| 32 | 03H1500 | 3/8" x 1" Carriage Bolt | 55 | |
| 33 | 5CS65002 | 3/8" x 3-1/2" Carriage Bolt | 3 | |
| 34 | 5CS65054 | 3/4" Star Lock Washer | 2 | |
| 35 | T11234 | 3/8" Nylock Nut | 4 | |
| 36 | 5CS60072 | 3/8" U-Bolt | 1 | |
| 37 | 03H1540 | 5/16" x 3/4" Carriage Bolt | 4 | |
| 38 | A22698 | 5/16" Flange Nut | 4 | |
| 39 | 5CS43781 | 1/4" x 4" J-Bolt | 1 | |
| 40 | 03H1701 | 1/4" x 3/4" Carriage Bolt | 9 | |
| 41 | 5CS43398 | Lynch Pin | 3 | |
| 42 | 5CS43991 | Frame Front Brace | 1 | |
| 43 | 5CS43621 | Triple Control Mount WA | 1 | |
| 44 | 5CS65074 | M8 X 15mm Hex Bolt | 2 | |
| - | 5CS43992 | FW Tank Strap | 1 | Not Illustrated |

150 Gallon Plumbing

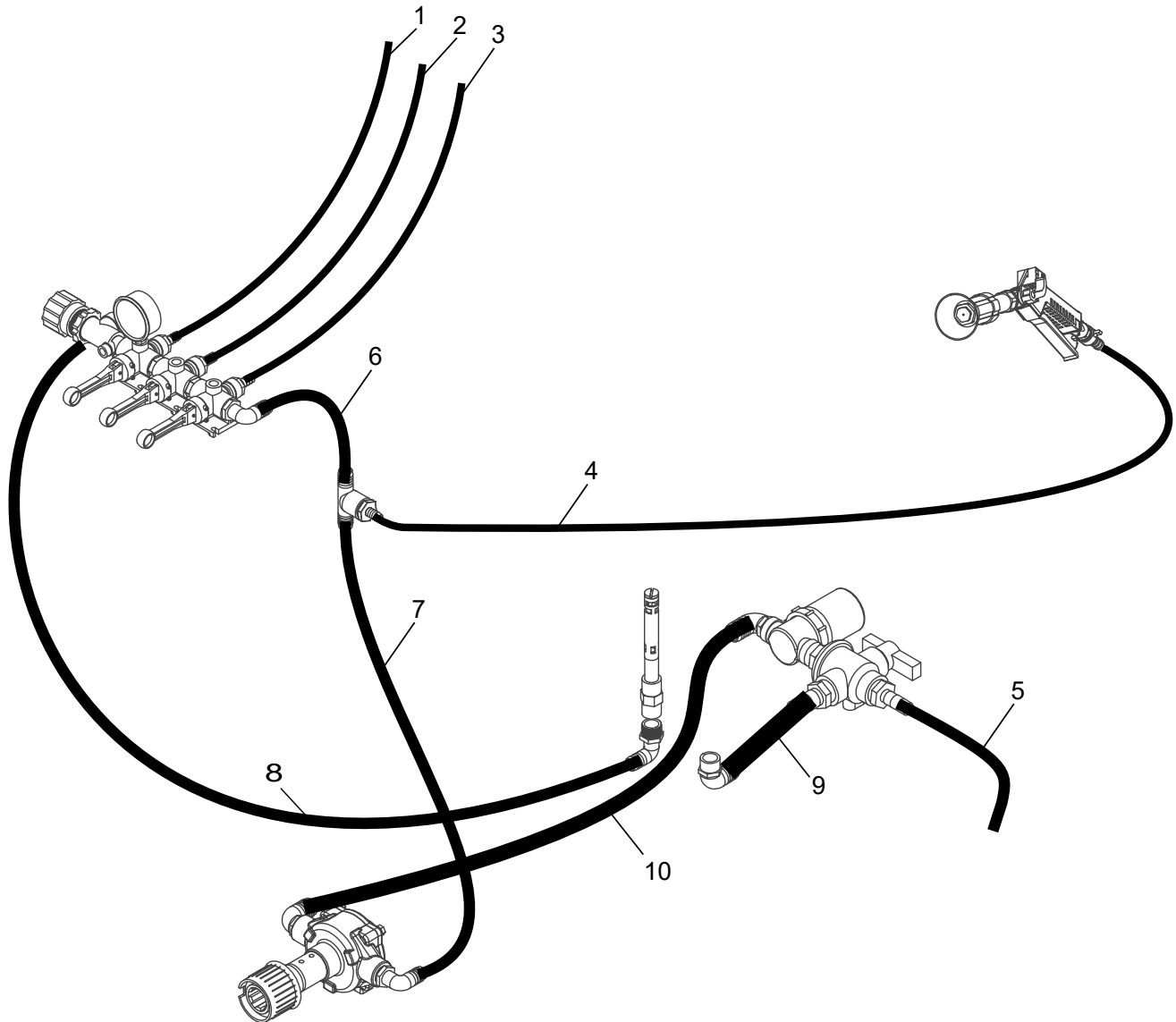


| ITEM NO. | PART NUMBER | DESCRIPTION | QTY. | Note |
|----------|-------------|-----------------------------|------|------|
| 1 | 5CS43748 | 150 Gallon Tank | 1 | |
| 2 | 5CS43634 | Control Valve | 3 | |
| 3 | 5CS43633 | Elbow 3/4" MP - 3/4" barb | 2 | |
| 4 | 5CS43635 | Relief Valve 3/4" | 1 | |
| 5 | 5CS43987 | Gauge 160 PSI | 1 | |
| 6 | 5CS43630 | 3/4" Pipe Nipple | 2 | |
| 7 | 5CS43423 | Fitting 1/2 Barb - 1/2 MP | 3 | |
| 8 | 5CS43636 | Fitting 3/4" MP - 3/4" barb | 1 | |
| 9 | 5CS43638 | Elbow 3/4" MP - 1" barb | 2 | |
| 10 | 5CS43631 | Filter | 1 | |

150 Gallon Plumbing

| ITEM NO. | PART NUMBER | DESCRIPTION | QTY. | Note |
|----------|-------------|---|------|------|
| 11 | 5CS43435 | Sprayer Handgun | 1 | |
| 12 | 5CS43974 | 3 Way Ball Valve 1" | 1 | |
| 13 | 5CS43975 | Fitting 1" MP - 3/4" MP | 1 | |
| 14 | 5CS43976 | Fitting 1" MP - 1" Hose Barb | 1 | |
| 15 | 5CS43977 | Fitting 1" MP - 3/4" Hose Barb | 1 | |
| 16 | 5CS43641 | Fitting 3/4" MP - 1/2" Hose | 1 | |
| 17 | 5CS43640 | Tee, 3/4" Hose - 3/4" Hose - 3/4" FP | 1 | |
| 18 | 5CS43661 | Jet Agitator | 1 | |

150 Gallon Hoses

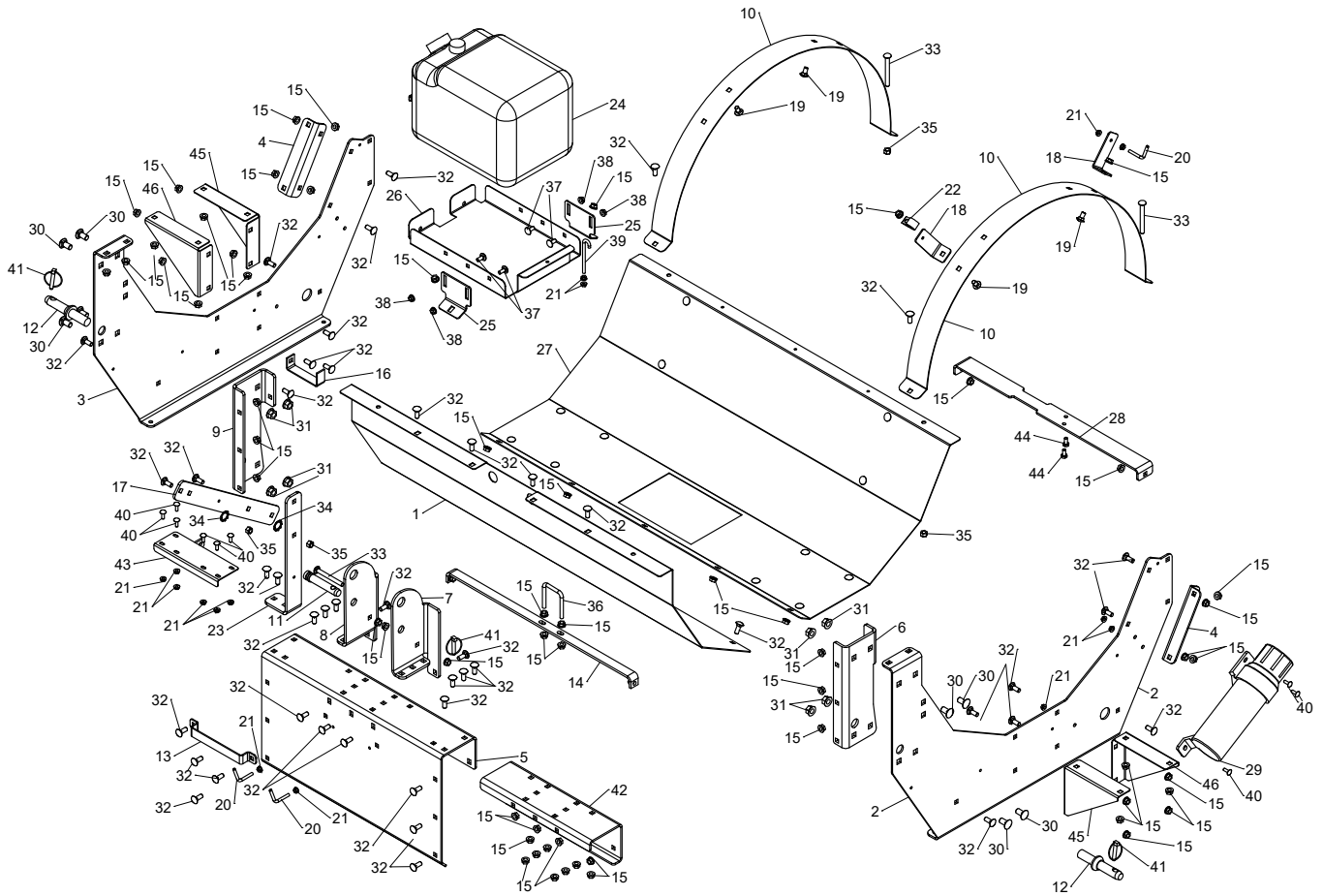


| ITEM NO. | PART NUMBER | DESCRIPTION | QTY. | Note |
|----------|-------------|-------------|------|--------------------------|
| 1 | | 1/2" Hose | 1 | CTL 144", MF 5CS43418 |
| 2 | | 1/2" Hose | 1 | CTL 108", MF 5CS43418 |
| 3 | | 1/2" Hose | 1 | CTL 156", MF 5CS43418 |
| 4 | | 1/2" Hose | 1 | CTL 360", MF 5CS43418 |
| 5 | | Hose 3/4" | 1 | CTL 12", MF 5CS43656 |

150 Gallon Hoses

| ITEM NO. | PART NUMBER | DESCRIPTION | QTY. | Note |
|----------|-------------|--------------------------------------|------|-------------------------|
| 6 | | Hose 3/4" | 1 | CTL 24", MF 5CS43656 |
| 7 | | Hose 3/4" | 1 | CTL 60", MF 5CS43656 |
| 8 | | Hose 3/4" | 1 | CTL 72", MF 5CS43656 |
| 9 | | Suction Hose 1" | 1 | CTL 8", MF 5CS43654 |
| 10 | | Suction Hose 1" | 1 | CTL 48", MF 5CS43654 |
| - | 5CS43652 | Hose Clamp Screw Type 3/8" - 1/2" | 8 | Not Illustrated |
| - | 5CS43653 | Hose Clamp Screw Type 3/4" | 6 | Not Illustrated |
| - | 5CS43654 | Hose Clamp Screw Type 1" | 4 | Not Illustrated |

150 Gallon Frame

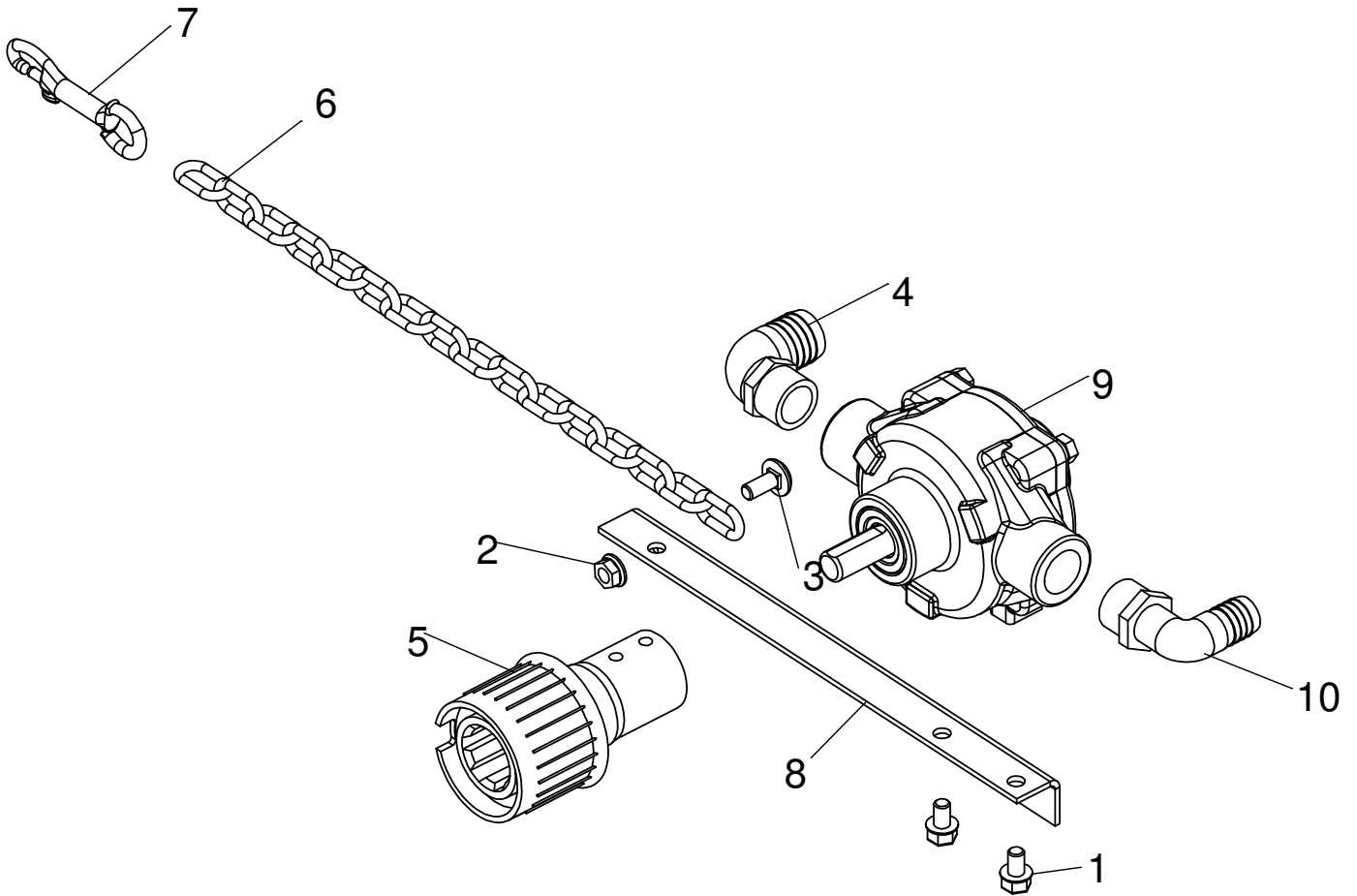


| ITEM NO. | PART NUMBER | DESCRIPTION | QTY. | Note |
|----------|-------------|----------------------------|------|------|
| 1 | 5CS43955 | 150 gal Tank Support Front | 1 | |
| 2 | 5CS43957 | Frame Left | 1 | |
| 3 | 5CS43958 | Frame Right | 1 | |
| 4 | 5CS43699 | Tray Support Angle | 2 | |
| 5 | 5CS43959 | Frame Front | 1 | |
| 6 | 5CS43960 | Front Angle LH | 1 | |
| 7 | 5CS43989 | Top Pin Bracket LH | 1 | |
| 8 | 5CS43990 | Top Pin Bracket RH | 1 | |
| 9 | 5CS43961 | Front Angle RH | 1 | |
| 10 | 5CS43715 | Tank Strap | 2 | |
| 11 | 5CS43399 | Top Pin, Cat 1 | 1 | |
| 12 | 5CS61509 | Cat 1 Pin with Hardware | 2 | |
| 13 | 5CS43733 | Hose Guide Front | 1 | |
| 14 | 5CS43734 | Bottom Brace | 1 | |
| 15 | E55662 | 3/8" Flange Nut | 72 | |

150 Gallon Frame

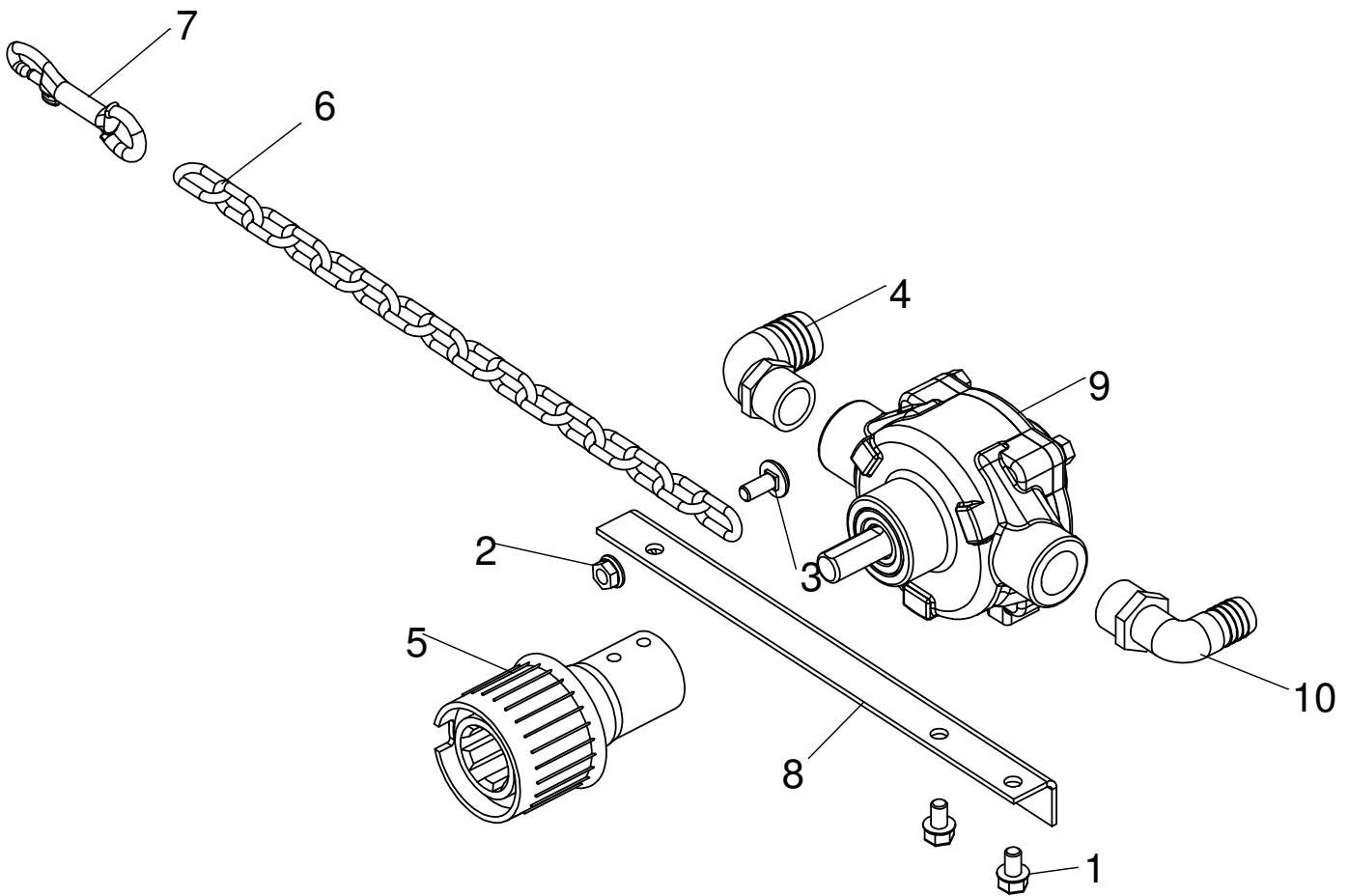
| ITEM NO. | PART NUMBER | DESCRIPTION | QTY. | Note |
|----------|-------------|-----------------------------|------|-----------------|
| 16 | 5CS43746 | Hose Guide Rear | 1 | |
| 17 | 5CS43745 | Control Post Support | 1 | |
| 18 | 5CS43747 | Spray Gun Bracket | 2 | |
| 19 | 5CS65081 | 3/8" x 3/4" Carriage Bolt | 4 | |
| 20 | 5CS62008 | 1/4" Bent Pin | 3 | |
| 21 | N10217 | 1/4" Flange Nut | 17 | |
| 22 | 5CS43663 | Hose Holder 1/2" | 1 | |
| 23 | 5CS43964 | Control Post Support | 1 | |
| 24 | 5CS43978 | Fresh Water Tank | 1 | |
| 25 | 5CS43966 | Fresh Water Tank Bracket | 2 | |
| 26 | 5CS43965 | Fresh Water Tank Tray | 1 | |
| 27 | 5CS43956 | 150 gal Tank Support Rear | 1 | |
| 28 | 5CS43972 | Valve Support | 1 | |
| 29 | 5CS43950 | Manual Canister | 1 | |
| 30 | 5CS65044 | 1/2" x 1" Carriage Bolt | 8 | |
| 31 | 5CS65037 | 1/2" Flange Nut | 8 | |
| 32 | 03H1500 | 3/8" x 1" Carriage Bolt | 63 | |
| 33 | 5CS65002 | 3/8" x 3-1/2" Carriage Bolt | 3 | |
| 34 | 5CS65054 | 3/4" Star Lock Washer | 2 | |
| 35 | T11234 | 3/8" Nylock Nut | 4 | |
| 36 | 5CS60072 | 3/8" U-Bolt | 1 | |
| 37 | 03H1540 | 5/16" x 3/4" Carriage Bolt | 4 | |
| 38 | A22698 | 5/16" Flange Nut | 4 | |
| 39 | 5CS43781 | 1/4" x 4" J-Bolt | 1 | |
| 40 | 03H1701 | 1/4" x 3/4" Carriage Bolt | 9 | |
| 41 | 5CS43398 | Lynch Pin | 3 | |
| 42 | 5CS43991 | Frame Front Brace | 1 | |
| 43 | 5CS43621 | Triple Control Mount WA | 1 | |
| 44 | 5CS65074 | M8 X 15mm Hex Bolt | 2 | |
| 45 | 5CS43741 | 150 Tray Support Left | 2 | |
| 46 | 5CS43742 | 150 Tray Support Right | 2 | |
| - | 5CS43992 | FW Tank Strap | 1 | Not Illustrated |

6 Roller PTO Pump



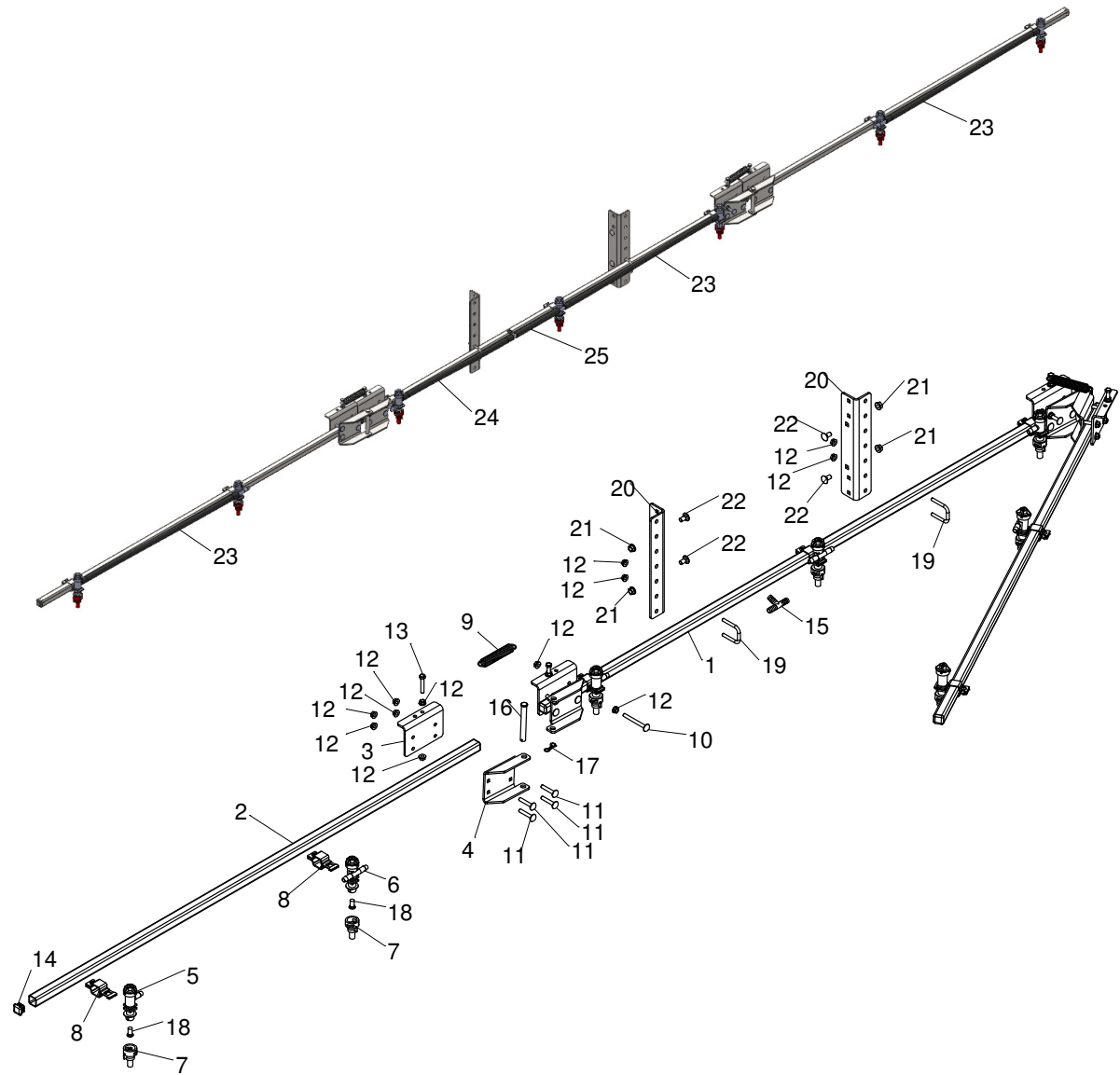
| ITEM NO. | PART NUMBER | DESCRIPTION | QTY. | Note |
|----------|-------------|-----------------------------|------|------|
| 1 | N167649 | 5/16" x 1/2" Flange Bolt | 2 | |
| 2 | A22698 | 5/16" Flange Nut | 1 | |
| 3 | 03H1540 | 5/16" x 3/4" Carriage Bolt | 1 | |
| 4 | 5CS43638 | Elbow 3/4" MP - 1" barb | 1 | |
| 5 | 5CS43639 | PTO Quick Connect Adapter | 1 | |
| 6 | 5CS50268 | Chain 2/0 - 1.5 ft | 1 | |
| 7 | 5CS43650 | Chain Latch | 1 | |
| 8 | 5CS43622 | Pump Mount Angle | 1 | |
| 9 | 5CS43637 | Pump Cast 6 Roller | 1 | |
| 9 | 5CS43649 | Pump Silver Series 6 Roller | 1 | |
| 10 | 5CS43633 | Elbow 3/4" MP - 3/4" barb | 1 | |

7 Roller PTO Pump



| ITEM NO. | PART NUMBER | DESCRIPTION | QTY. | Note |
|----------|-------------|-----------------------------|------|------|
| 1 | N167649 | 5/16" x 1/2" Flange Bolt | 2 | |
| 2 | A22698 | 5/16" Flange Nut | 1 | |
| 3 | 03H1540 | 5/16" x 3/4" Carriage Bolt | 1 | |
| 4 | 5CS43638 | Elbow 3/4" MP - 1" barb | 1 | |
| 5 | 5CS43787 | PTO Quick Connect Adapter | 1 | |
| 6 | 5CS50268 | Chain 2/0 - 1.5 ft | 1 | |
| 7 | 5CS43650 | Chain Latch | 1 | |
| 8 | 5CS43622 | Pump Mount Angle | 1 | |
| 9 | 5CS43786 | Pump Cast 7 Roller | 1 | |
| 9 | 5CS43788 | Pump Silver Series 7 Roller | 1 | |
| 10 | 5CS43633 | Elbow 3/4" MP - 3/4" barb | 1 | |

18' Folding Boom

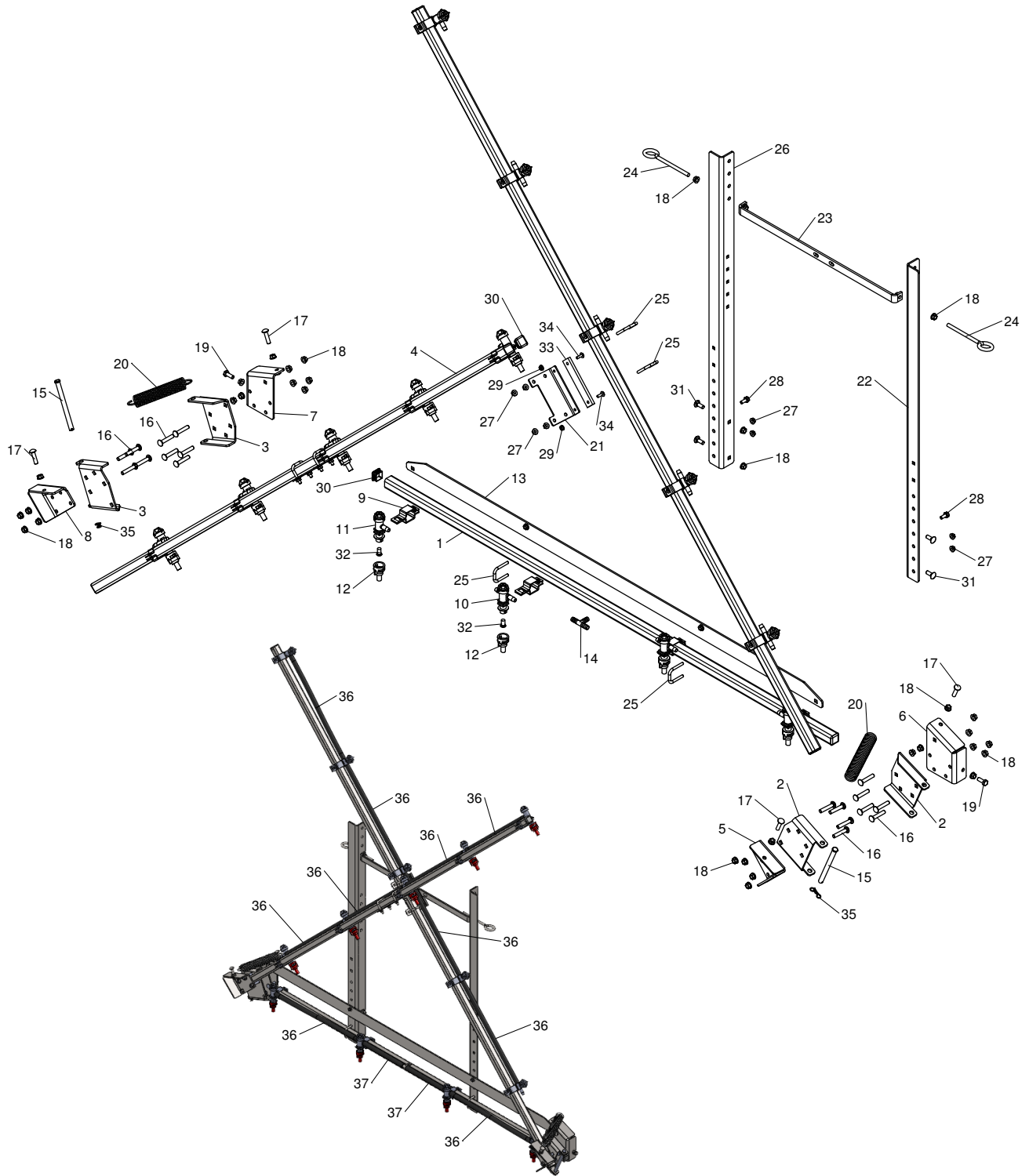


| ITEM NO. | PART NUMBER | DESCRIPTION | QTY. | Note |
|----------|-------------|---------------------------------|------|------|
| 1 | 5CS43644 | Center Boom Tube 72" | 1 | |
| 2 | 5CS43646 | Side Boom Tube 60" | 2 | |
| 3 | 5CS43616 | Boom Hinge Backing Plate | 4 | |
| 4 | 5CS43862 | Boom Hinge Bracket | 4 | |
| 5 | 5CS43658 | Nozzle Body Single Hose 1/2" | 4 | |
| 6 | 5CS43595 | Nozzle Body Dual Hose 1/2" | 3 | |
| 7 | 5CS43843 | Air Induction Spray Tip 0.4 gpm | 7 | |
| 8 | 5CS43598 | Square Tube Clamp 1" | 7 | |

18' Folding Boom

| ITEM NO. | PART NUMBER | DESCRIPTION | QTY. | Note |
|----------|-------------|--------------------------------------|------|----------------------------|
| 9 | 5CS43403 | Spring 3/4" x 3-3/4" x .105" | 2 | |
| 10 | 03H1506 | 5/16" x 3" Carriage Bolt | 2 | |
| 11 | 03H2209 | 5/16" x 1-3/4" Carriage Bolt | 14 | |
| 12 | A22698 | 5/16" Flange Nut | 30 | |
| 13 | 5CS65090 | 5/16" x 1-3/4" Hex Bolt | 4 | |
| 14 | 5CS43401 | Plastic End Cap 1" | 6 | |
| 15 | 5CS43420 | Tee 1/2" Barb | 1 | |
| 16 | 5CS50120 | 1/2"x4" Clevis Pin | 2 | |
| 17 | 5CS50237 | Bowtie Clip 1/2" | 2 | |
| 18 | 5CS43411 | Spray Tip Screen | 7 | |
| 19 | 5CS43315 | 5/16" x 1-3/4" Square U-Bolt | 2 | |
| 20 | 5CS43970 | Boom Bracket | 2 | |
| 21 | E55662 | 3/8" Flange Nut | 4 | |
| 22 | 5CS65081 | 3/8" x 3/4" Carriage Bolt | 4 | |
| 23 | | 1/2" Hose | 3 | CTL 29", MF 5CS43418 |
| 24 | | 1/2" Hose | 1 | CTL 22.25", MF 5CS43418 |
| 25 | | 1/2" Hose | 1 | CTL 6", MF 5CS43418 |
| - | 5CS43652 | Hose Clamp Screw Type 3/8" - 1/2" | 10 | Not Illustrated |

24' Folding Boom



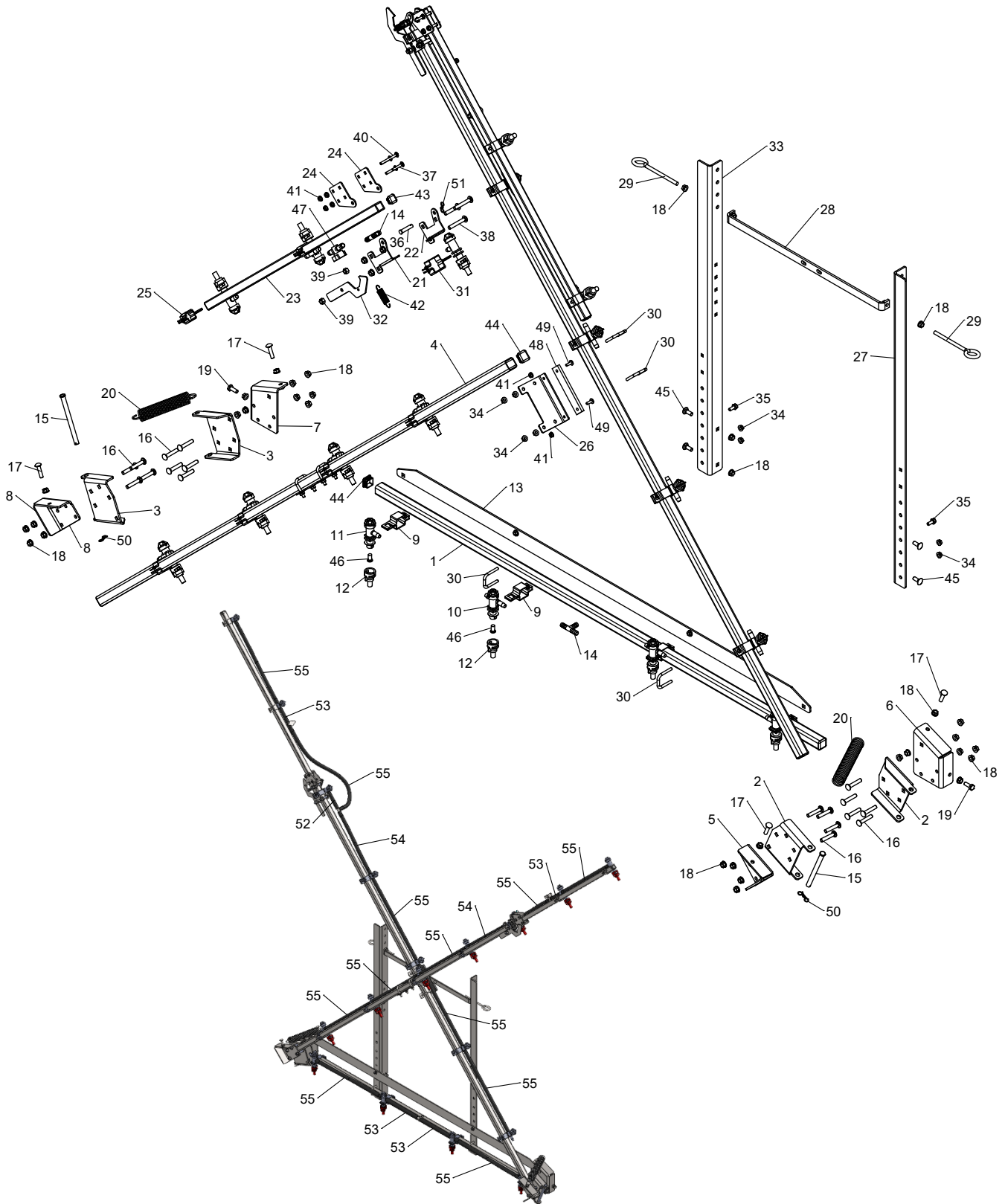
24' Folding Boom

| ITEM NO. | PART NUMBER | DESCRIPTION | QTY. | Note |
|----------|-------------|--|------|------|
| 1 | 5CS43751 | Center Boom Tube 72" | 1 | |
| 2 | 5CS43727 | Boom Hinge Right | 2 | |
| 3 | 5CS43728 | Boom Hinge Left | 2 | |
| 4 | 5CS43752 | Side Boom Tube 96" | 2 | |
| 5 | 5CS43730 | Boom Hinge Backing Plate Outside RH | 1 | |
| 6 | 5CS43729 | Boom Hinge Backing Plate Inside RH | 1 | |
| 7 | 5CS43731 | Boom Hinge Backing Plate Inside LH | 1 | |
| 8 | 5CS43732 | Boom Hinge Backing Plate Outside LH | 1 | |
| 9 | 5CS43737 | 1-1/4" Sq Boom Clamp | 14 | |
| 10 | 5CS43595 | Nozzle Body Dual Hose 1/2" | 10 | |
| 11 | 5CS43658 | Nozzle Body Single Hose 1/2" | 4 | |
| 12 | 5CS43843 | Air Induction Spray Tip 0.4 gpm | 14 | |
| 13 | 5CS43735 | Boom Brace | 1 | |
| 14 | 5CS43420 | Tee 1/2" Barb | 1 | |
| 15 | 5CS43750 | 1/2" x 6" Clevis Pin | 2 | |
| 16 | 5CS65082 | 3/8" x 2" Carriage Bolt | 18 | |
| 17 | 03H1495 | 3/8" x 1-1/2" Carriage Bolt | 4 | |
| 18 | E55662 | 3/8" Flange Nut | 42 | |
| 19 | 5CS65088 | 3/8" x "1 Hex Bolt | 2 | |
| 20 | 5CS43749 | Spring 1-1/4" x 6-1/2" x .162" | 2 | |
| 21 | 5CS43761 | Boom Stop Bracket | 2 | |
| 22 | 5CS43763R | Boom Angle RH | 1 | |
| 23 | 5CS43734 | Bottom Brace | 1 | |
| 24 | 5CS43768 | Eyebolt 3/8" x 5" | 2 | |
| 25 | 5CS43315 | 5/16" x 1-3/4" Square U-Bolt | 6 | |
| 26 | 5CS43763L | Boom Angle LH | 1 | |
| 27 | A22698 | 5/16" Flange Nut | 14 | |
| 28 | 5CS65007 | 5/16" x 3/4" Flange Bolt | 2 | |
| 29 | N10217 | 1/4" Flange Nut | 4 | |
| 30 | 5CS43757 | Plastic End Cap 1-1/4" | 6 | |
| 31 | 03H1500 | 3/8" x 1" Carriage Bolt | 4 | |
| 32 | 5CS43411 | Spray Tip Screen | 14 | |
| 33 | 5CS43993 | Rubber 5/16" x 1-1/4" x 6" | 2 | |

24' Folding Boom

| ITEM NO. | PART NUMBER | DESCRIPTION | QTY. | Note |
|----------|-------------|--------------------------------------|------|---------------------------|
| 34 | 5CS65016 | 1/4" x 3/4" truss head machine screw | 4 | |
| 35 | 5CS50237 | Bowtie Clip 1/2" | 2 | |
| 36 | | 1/2" Hose | 10 | CTL 19", MF 5CS43418 |
| 37 | | 1/2" Hose | 2 | CTL 9.25", MF 5CS43418 |
| - | 5CS43652 | Hose Clamp Screw Type 3/8" - 1/2" | 27 | Not Illustrated |
| - | 5CS43767 | 3/8" Hollow braid rope, 18ft | 2 | Not Illustrated |
| - | 5CS43772 | S-hook 2" heavy duty | 2 | Not Illustrated |

30' Folding Boom



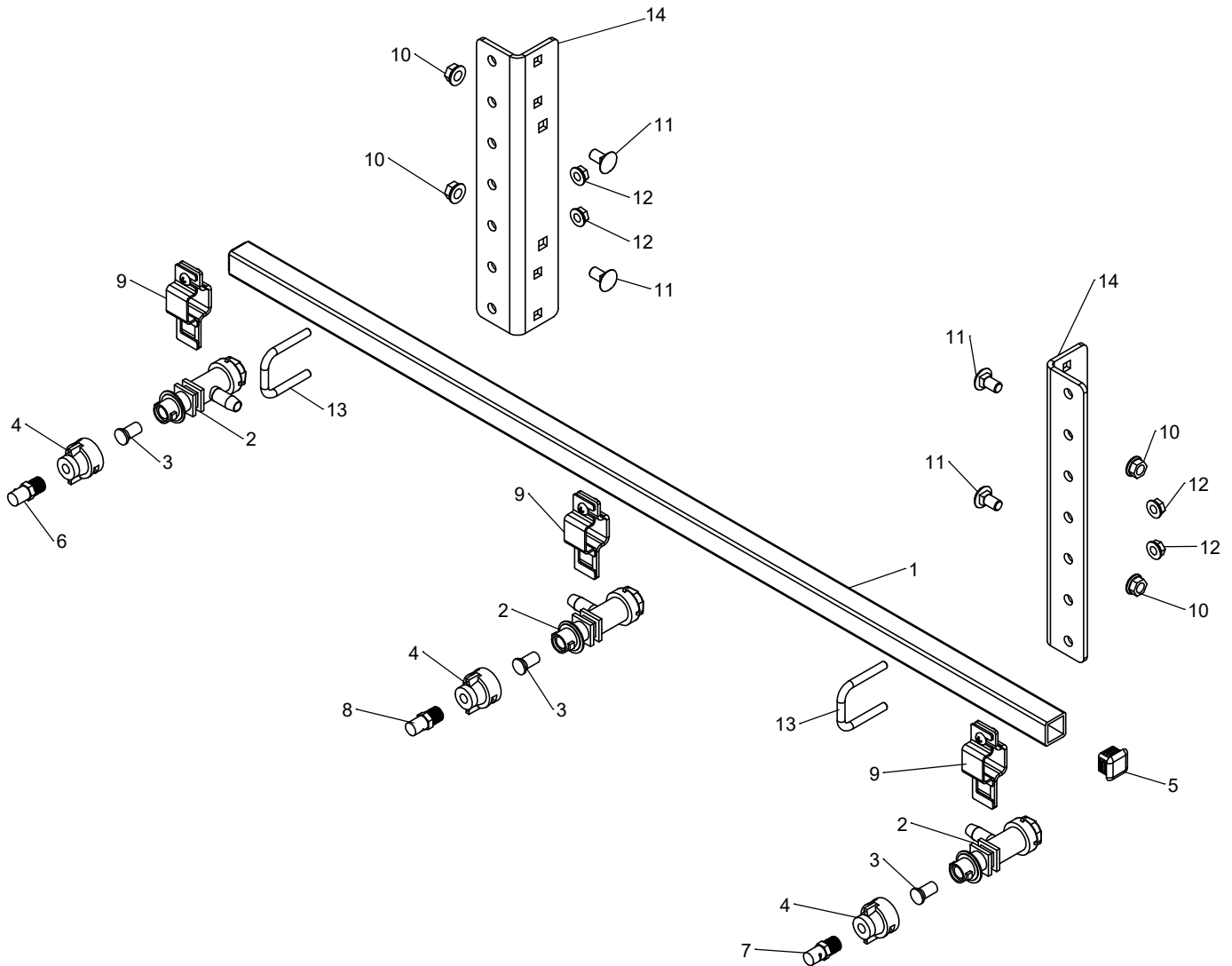
30' Folding Boom

| ITEM NO. | PART NUMBER | DESCRIPTION | QTY. | Note |
|----------|-------------|--|------|------|
| 1 | 5CS43751 | Center Boom Tube 72" | 1 | |
| 2 | 5CS43727 | Boom Hinge Right | 2 | |
| 3 | 5CS43728 | Boom Hinge Left | 2 | |
| 4 | 5CS43752 | Side Boom Tube 96" | 2 | |
| 5 | 5CS43730 | Boom Hinge Backing Plate Outside RH | 1 | |
| 6 | 5CS43729 | Boom Hinge Backing Plate Inside RH | 1 | |
| 7 | 5CS43731 | Boom Hinge Backing Plate Inside LH | 1 | |
| 8 | 5CS43732 | Boom Hinge Backing Plate Outside LH | 1 | |
| 9 | 5CS43737 | 1-1/4" Sq Boom Clamp | 12 | |
| 10 | 5CS43595 | Nozzle Body Dual Hose 1/2" | 12 | |
| 11 | 5CS43658 | Nozzle Body Single Hose 1/2" | 6 | |
| 12 | 5CS43843 | Air Induction Spray Tip 0.4 gpm | 18 | |
| 13 | 5CS43735 | Boom Brace | 1 | |
| 14 | 5CS43420 | Tee 1/2" Barb | 3 | |
| 15 | 5CS43750 | 1/2" x 6" Clevis Pin | 2 | |
| 16 | 5CS65082 | 3/8" x 2" Carriage Bolt | 20 | |
| 17 | 03H1495 | 3/8" x 1-1/2" Carriage Bolt | 4 | |
| 18 | E55662 | 3/8" Flange Nut | 48 | |
| 19 | 5CS65088 | 3/8" x "1 Hex Bolt | 2 | |
| 20 | 5CS43749 | Spring 1-1/4" x 6-1/2" x .162" | 2 | |
| 21 | 5CS43758 | Boom Extension Hinge Inner | 2 | |
| 22 | 5CS43759 | Boom Extension Hinge Outer | 2 | |
| 23 | 5CS60082 | Boom Extension Tube 40" | 2 | |
| 24 | 5CS43760 | Boom Extension Hinge Plate | 4 | |
| 25 | 5CS43598 | Square Tube Clamp 1" | 4 | |
| 26 | 5CS43761 | Boom Stop Bracket | 2 | |
| 27 | 5CS43763R | Boom Angle RH | 1 | |
| 28 | 5CS43734 | Bottom Brace | 1 | |
| 29 | 5CS43768 | Eyebolt 3/8" x 5" | 2 | |
| 30 | 5CS43315 | 5/16" x 1-3/4" Square U-Bolt | 6 | |
| 31 | 5CS43773 | 1-1/2" Sq Boom Clamp | 2 | |
| 32 | 5CS43816 | Boom Extension Latch | 2 | |
| 33 | 5CS43763L | Boom Angle LH | 1 | |

30' Folding Boom

| ITEM NO. | PART NUMBER | DESCRIPTION | QTY. | Note |
|----------|-------------|--------------------------------------|------|---------------------------|
| 34 | A22698 | 5/16" Flange Nut | 14 | |
| 35 | 5CS65007 | 5/16" x 3/4" Flange Bolt | 2 | |
| 36 | 5CS50231 | 3/8" x 1-3/4" Clevis Pin | 2 | |
| 37 | 03H1810 | 1/4" x 1-1/2" Carriage Bolt | 6 | |
| 38 | 5CS65052 | 3/8" x 2-1/2" Carriage Bolt | 4 | |
| 39 | T11234 | 3/8" Nylock Stover Nut | 4 | |
| 40 | 5CS65158 | 1/4" x 2-1/2" Carriage Bolt | 2 | |
| 41 | N10217 | 1/4" Flange Nut | 12 | |
| 42 | 5CS43817 | Spring 2-1/2" x .625" x .075" | 2 | |
| 43 | 5CS43401 | Plastic End Cap 1" | 4 | |
| 44 | 5CS43757 | Plastic End Cap 1-1/4" | 6 | |
| 45 | 03H1500 | 3/8" x 1" Carriage Bolt | 4 | |
| 46 | 5CS43411 | Spray Tip Screen | 18 | |
| 47 | 5CS43736 | In-line Valve 1/2" | 2 | |
| 48 | 5CS43993 | Rubber 5/16" x 1-1/4" x 6" | 2 | |
| 49 | 5CS65016 | 1/4" x 3/4" Truss Head Bolt | 4 | |
| 50 | 5CS50237 | Bowtie Clip 1/2" | 2 | |
| 51 | 5CS43624 | Small Bowtie Clip | 2 | |
| 52 | | 1/2" Hose | 2 | CTL 3.5", MF 5CS43418 |
| 53 | | 1/2" Hose | 4 | CTL 9.25", MF 5CS43418 |
| 54 | | 1/2" Hose | 2 | CTL 16", MF 5CS43418 |
| 55 | | 1/2" Hose | 12 | CTL 19", MF 5CS43418 |
| - | 5CS43652 | Hose Clamp Screw Type 3/8" - 1/2" | 43 | Not Illustrated |
| - | 5CS43767 | 3/8" Hollow braid rope, 18ft | 2 | Not Illustrated |
| - | 5CS43772 | S-hook 2" heavy duty | 2 | Not Illustrated |

Boomless 30' Spray

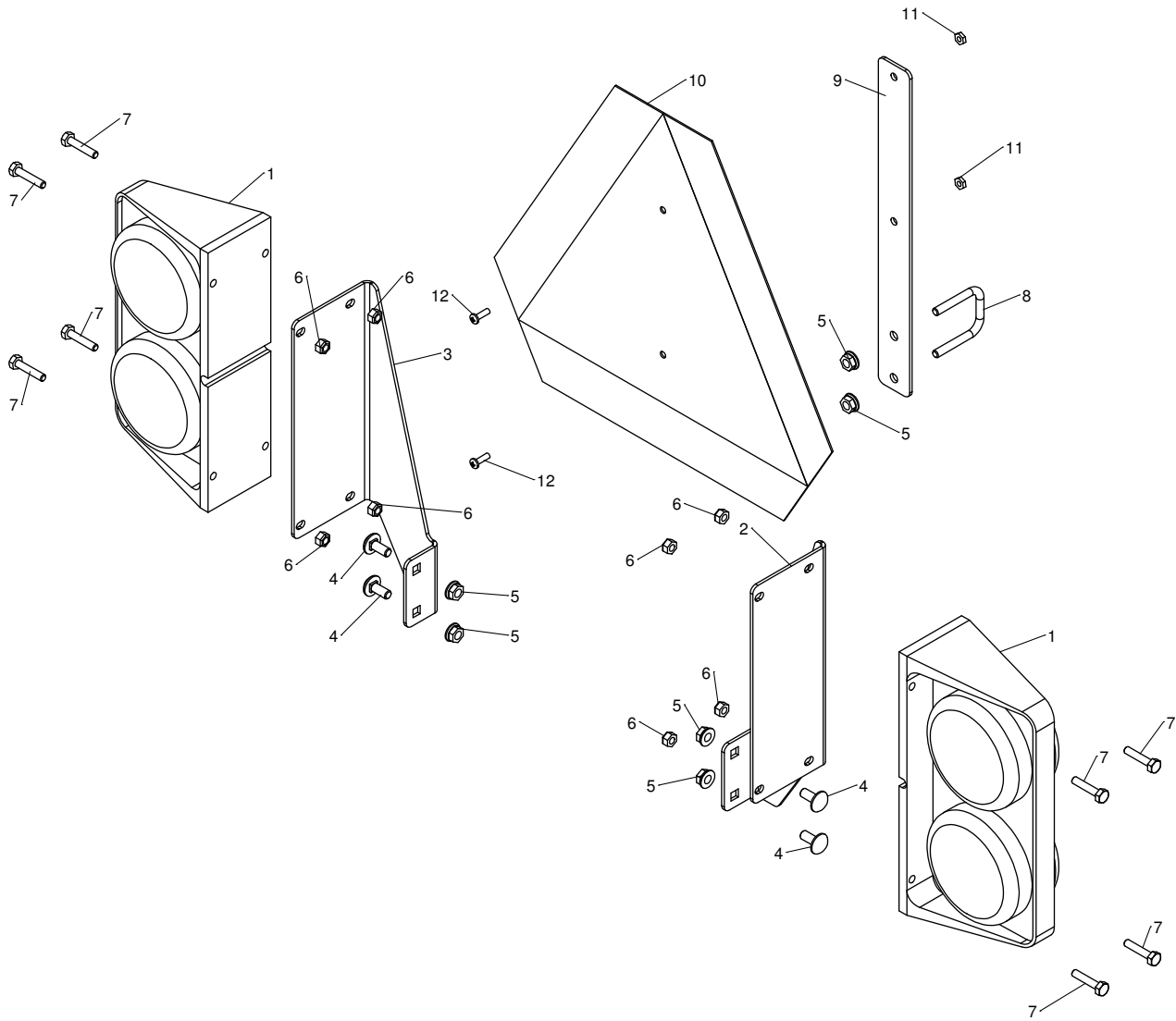


| ITEM NO. | PART NUMBER | DESCRIPTION | QTY. | Note |
|----------|-------------|--------------------------------|------|------|
| 1 | 5CS60082 | Boom Tube 40" | 1 | |
| 2 | 5CS43658 | Nozzle Body Single Hose 1/2" | 3 | |
| 3 | 5CS43411 | Spray Tip Screen | 3 | |
| 4 | 5CS43599 | Spray Fitting Cap (threaded) | 3 | |
| 5 | 5CS43401 | Plastic End Cap 1" | 2 | |
| 6 | 5CS43775 | Boomless Flat Spray Tip Left | 1 | |
| 7 | 5CS43774 | Boomless Flat Spray Tip Right | 1 | |
| 8 | 5CS43809 | Boomless Flat Spray Tip Center | 1 | |
| 9 | 5CS43598 | Square Tube Clamp 1" | 3 | |
| 10 | E55662 | 3/8" Flange Nut | 4 | |
| 11 | 5CS65081 | 3/8" x 3/4" Carriage Bolt | 4 | |

Boomless 30' Spray

| ITEM NO. | PART NUMBER | DESCRIPTION | QTY. | Note |
|----------|-------------|------------------------------|------|------|
| 12 | A22698 | 5/16" Flange Nut | 4 | |
| 13 | 5CS43315 | 5/16" x 1-3/4" Square U-Bolt | 2 | |
| 14 | 5CS43970 | Boom Bracket | 2 | |

On-Highway Kit

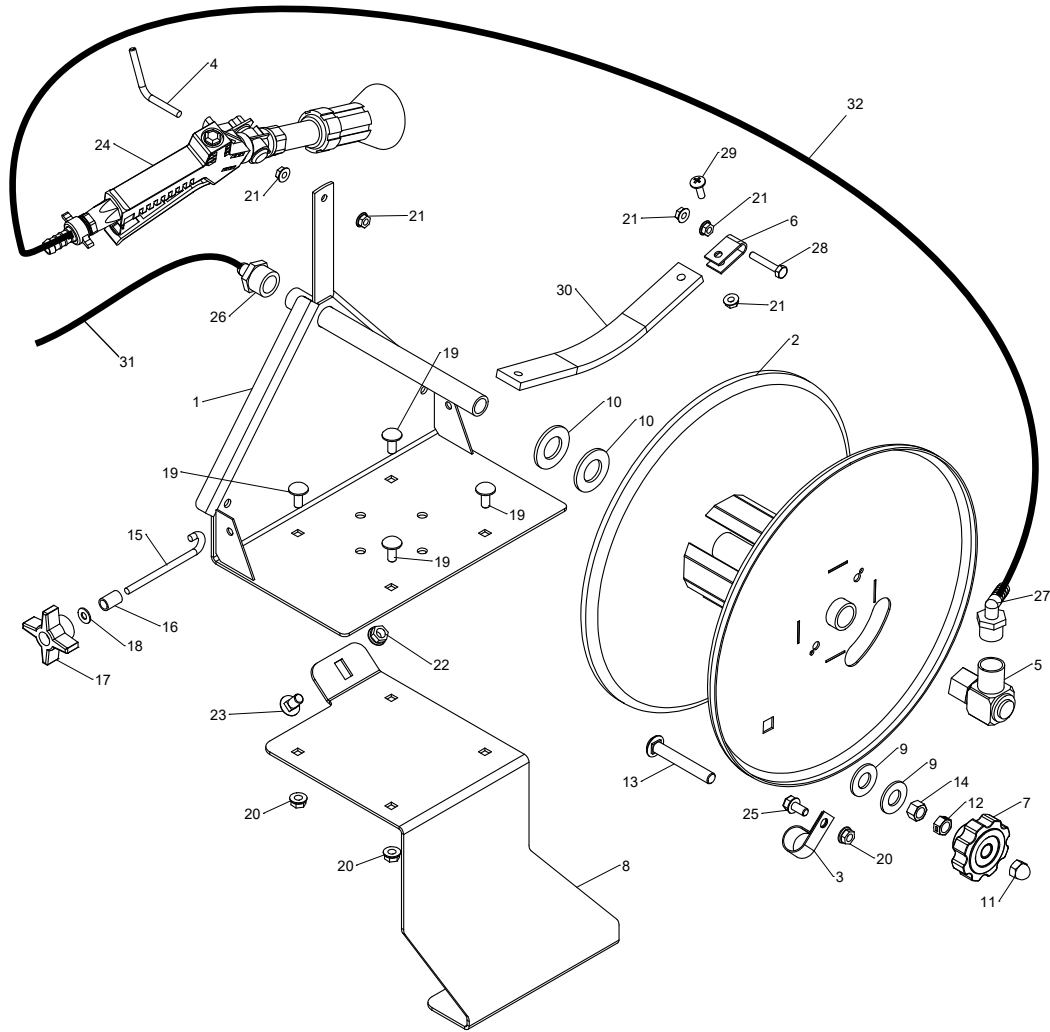


| ITEM NO. | PART NUMBER | DESCRIPTION | QTY. | Note |
|----------|-------------|---|------|------|
| 1 | 5CS50934 | Rear Light Kit - Includes Right and Left Assemblies and Harness | 1 | |
| 2 | 5CS43968 | Light Bracket RH | 1 | |
| 3 | 5CS43969 | Light Bracket LH | 1 | |
| 4 | 03H1540 | 5/16" x 3/4" Carriage Bolt | 4 | |
| 5 | A22698 | 5/16" Flange Nut | 6 | |
| 6 | 5CS65017 | 1/4" Nylock Nut | 8 | |
| 7 | 5CS65184 | 1/4" x 1-1/4" Bolt | 8 | |
| 8 | 5CS43315 | 5/16" x 1-3/4" Square U-Bolt | 1 | |
| 9 | 5CS43614 | SMV Bracket | 1 | |

On-Highway Kit

| ITEM NO. | PART NUMBER | DESCRIPTION | QTY. | Note |
|----------|-------------|---------------------------------------|------|-----------------|
| 10 | 5CS43647 | SMV Sign | 1 | |
| 11 | 5CS65051 | #10-24 Nut | 2 | |
| 12 | 5CS65258 | #10-24 x 3/8" Phillips Pan Head Screw | 2 | |
| - | 5CS43983 | Push in Cable Clamp with Wire Ties | 8 | Not Illustrated |

100 ft Hose Reel (110/150)

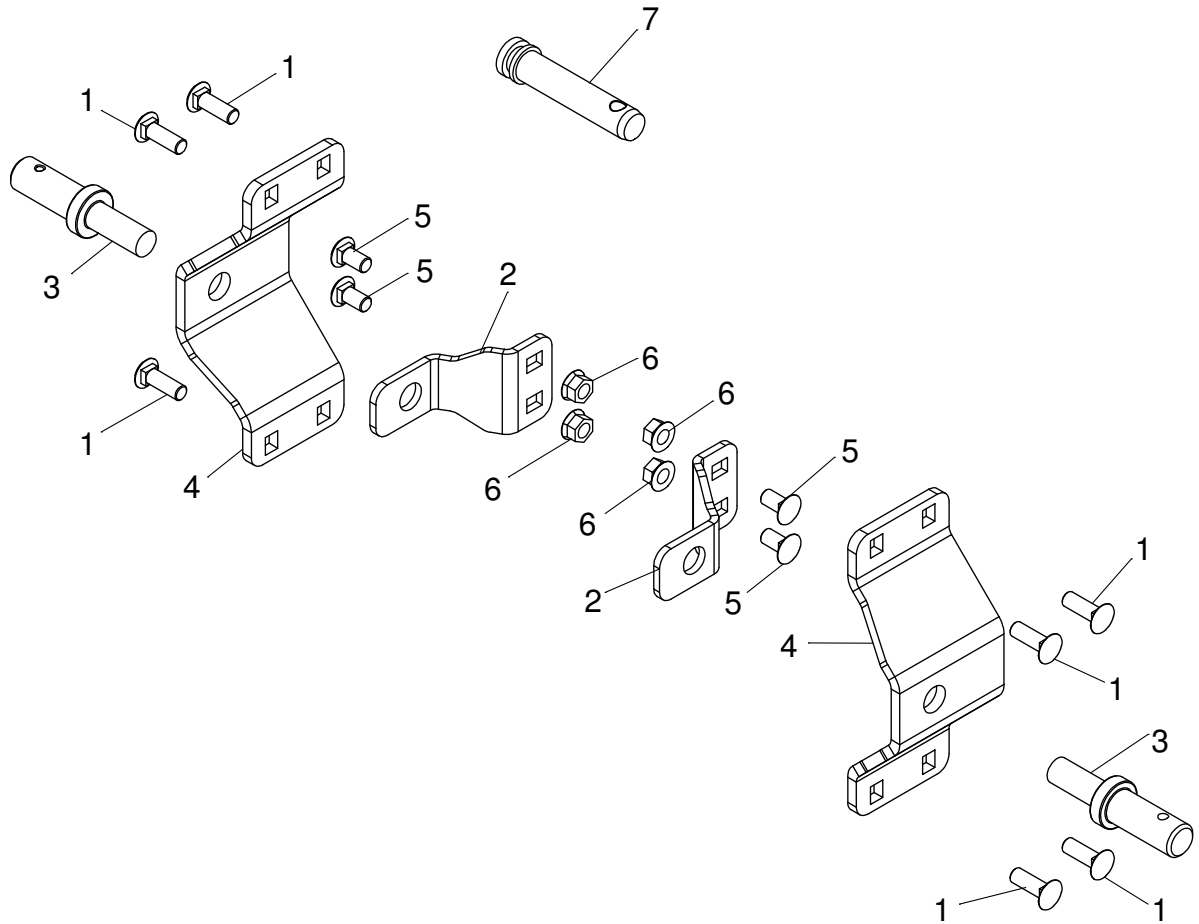


| ITEM NO. | PART NUMBER | DESCRIPTION | QTY. | Note |
|----------|-------------|----------------------|------|------|
| 1 | 5CS43686 | Hose Reel Spindle | 1 | |
| 2 | 5CS43687 | Hose Reel | 1 | |
| 3 | 5CS43663 | Hose Holder 1/2" | 1 | |
| 4 | 5CS62008 | 1/4" Bent Pin | 1 | |
| 5 | 5CS43782 | Swivel 1/2fpt, Elbow | 1 | |
| 6 | 5CS50245 | Rubber Chain Clamp | 1 | |
| 7 | 5CS43783 | Swivel Knob | 1 | |
| 8 | 5CS43967 | Hose Reel Bracket | 1 | |
| 9 | A110615 | 5/8" SAE Washer | 2 | |
| 10 | 5CS65161 | 7/8" SAE Washer | 2 | |
| 11 | 5CS65162 | 7/16" Acorn Nut | 1 | |

100 ft Hose Reel (110/150)

| ITEM NO. | PART NUMBER | DESCRIPTION | QTY. | Note |
|----------|-------------|--------------------------------------|------|---------------------------|
| 12 | 5CS65163 | 7/16" Center Lock Nut | 1 | |
| 13 | 03H1705 | 7/16 x 3 Carriage Bolt | 1 | |
| 14 | 14H849 | 7/16" Hex Nut | 1 | |
| 15 | 5CS43781 | 1/4" x 4" J-Bolt | 1 | |
| 16 | 5CS43725 | Spacer | 1 | |
| 17 | 5CS43810 | 1/4" Plastic Knob | 1 | |
| 18 | 5CS65154 | 1/4" Washer | 1 | |
| 19 | 03H1540 | 5/16 x 3/4 Carriage Bolt | 4 | |
| 20 | A22698 | 5/16 Flange Nut | 5 | |
| 21 | N10217 | 1/4" Flange Nut | 5 | |
| 22 | E55662 | 3/8 Flange Nut | 1 | |
| 23 | 5CS65081 | 3/8 x 3/4 Carriage Bolt | 1 | |
| 24 | 5CS43435 | HP Handgun | 1 | |
| 25 | T58694 | 5/16 x 5/8 Flange Bolt | 1 | |
| 26 | 5CS43588 | 1/2" Barb x 1/2NPT F, 90deg | 1 | |
| 27 | 5CS43803 | Elbow 1/2" Barb x 1/2NPT | 1 | |
| 28 | TCU38060 | 1/4"x 1-1/2" Bolt | 1 | |
| 29 | 5CS65016 | 1/4 x 3/4 Truss Head Bolt | 1 | |
| 30 | 5CS43988 | Rubber 5/16" x 1-1/4" x 10" | 1 | |
| 31 | | 1/2" Hose | 1 | CTL 36", MF 5CS43418 |
| 32 | | 1/2" Hose | 1 | CTL 1200", MF 5CS43418 |
| - | 5CS43652 | Hose Clamp Screw Type 3/8" - 1/2" | 4 | Not Illustrated |

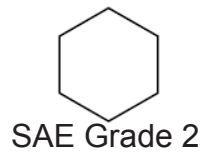
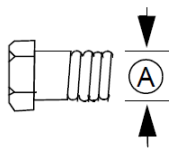
CAT 2 Pin Kit



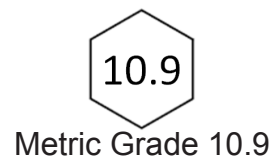
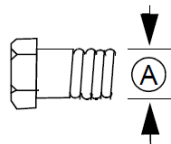
| ITEM NO. | PART NUMBER | DESCRIPTION | QTY. | Note |
|----------|-------------|-----------------------------|------|------|
| 1 | 5CS65272 | 1/2" x 1-1/2" Carriage Bolt | 8 | |
| 2 | 5CS43963 | CAT 2 Pin Brace | 2 | |
| 3 | 5CS61513 | CAT 2 Side Pin | 2 | |
| 4 | 5CS43962 | CAT 2 Pin Bracket | 2 | |
| 5 | 5CS65044 | 1/2" x 1" Carriage Bolt | 4 | |
| 6 | 5CS65037 | 1/2" Flange Nut | 4 | |
| 7 | 5CS61514 | CAT 2 Top Link Pin | 1 | |

BOLT TORQUE CHART

- Torque values listed are for general use only, based on the strength of the bolt or screw. DO NOT use these values if a different torque value or tightening procedures is given for a specific application. For plastic insert or crimped steel type lock nuts, for stainless steel, or for nuts on u-bolts, see the tightening instructions for the specific application.
- Fasteners must always be replaced with the same grade as specified in the manual parts list.
- Shear bolts are designed to fail under predetermined loads, always replace shear bolts with identical grades.
- Make sure fasteners threads are clean and start thread engagement properly.



| Diameter (A) (Inches) | Torque Values (Dry) | | | | | |
|-----------------------|---------------------|-------|-------------|-------|-------------|-------|
| | SAE Grade 2 | | SAE Grade 5 | | SAE Grade 8 | |
| | N-m | lb-ft | N-m | lb-ft | N-m | lb-ft |
| 1/4 | 7.4 | 5.5 | 12 | 9 | 17 | 12.5 |
| 5/16 | 15 | 11 | 24 | 18 | 35 | 26 |
| 3/8 | 27 | 20 | 45 | 33 | 62 | 46 |
| 7/16 | 43 | 32 | 70 | 52 | 102 | 75 |
| 1/2 | 68 | 50 | 108 | 80 | 156 | 115 |
| 9/16 | 95 | 70 | 156 | 115 | 217 | 160 |
| 5/8 | 136 | 100 | 217 | 160 | 305 | 225 |
| 3/4 | 238 | 175 | 380 | 280 | 540 | 400 |
| 7/8 | 238 | 175 | 615 | 455 | 870 | 640 |



| Diameter (A) (millimeters) | Torque Values (Dry) | | | |
|----------------------------|---------------------|-------|------------|-------|
| | Grade 8.8 | | Grade 10.9 | |
| | N-m | lb-ft | N-m | lb-ft |
| M6 | 11.3 | 8.3 | 16.5 | 12.2 |
| M8 | 27.5 | 20.3 | 40 | 29.5 |
| M10 | 55 | 40 | 80 | 59 |
| M12 | 95 | 70 | 140 | 105 |
| M14 | 150 | 110 | 220 | 165 |
| M16 | 240 | 175 | 350 | 255 |