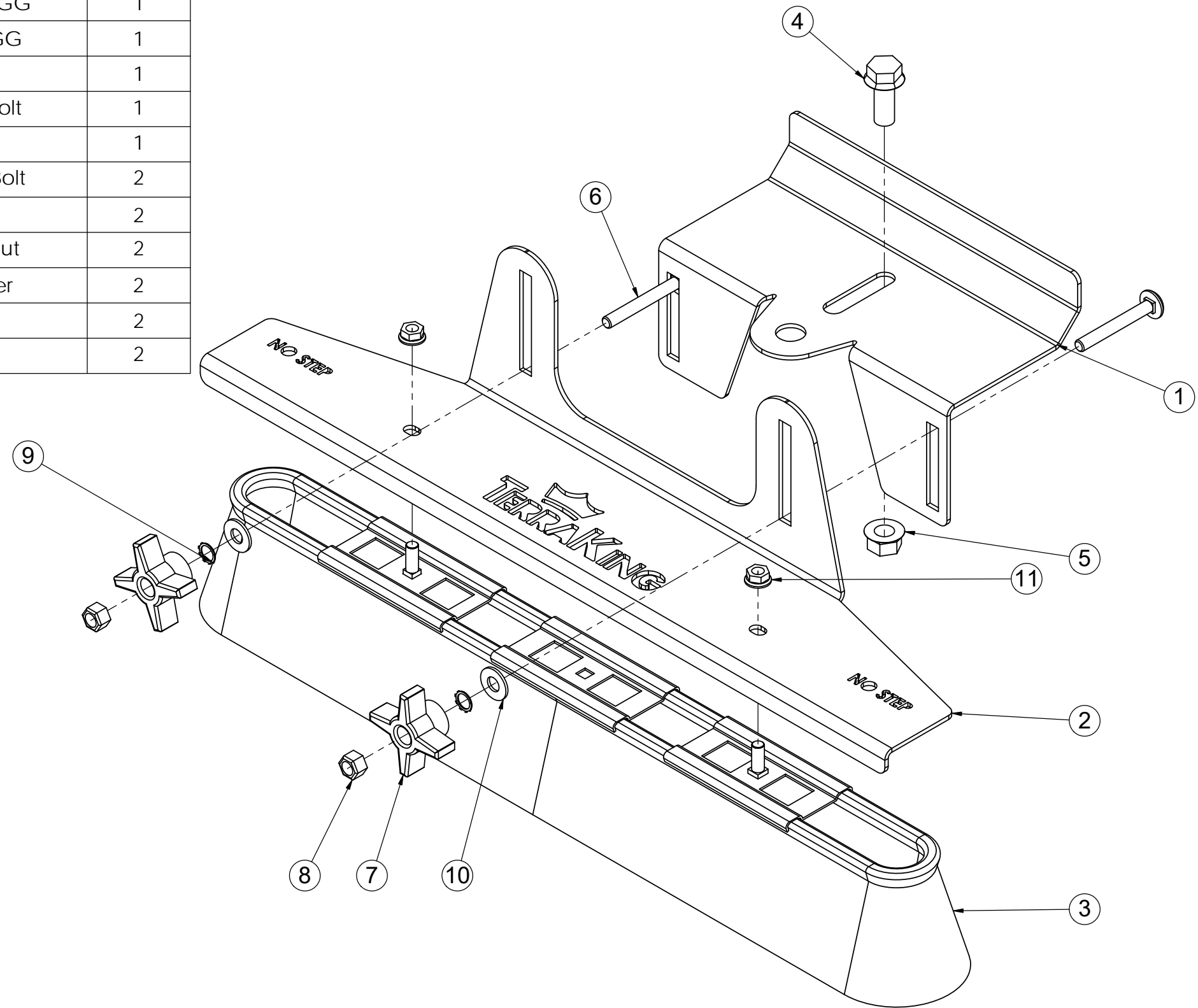


| ITEM NO. | PART NUMBER | DESCRIPTION | QTY. |
|----------|-------------|---------------------------|------|
| 1 | ST60114 | Tractor Mount - Hitch GG | 1 |
| 2 | ST60125 | Brush Mount - Hitch GG | 1 |
| 3 | ST60126 | Double Groomer | 1 |
| 4 | ST65084 | 1/2" x 1-1/4" Flange Bolt | 1 |
| 5 | ST65037 | 1/2" Flange Nut | 1 |
| 6 | ST65052 | 3/8 x 2-1/2 Carriage Bolt | 2 |
| 7 | ST43289 | 3/8 Plastic Knob | 2 |
| 8 | ST65089 | 3/8 Nylock / Stover Nut | 2 |
| 9 | ST65026 | 3/8" Star Lock Washer | 2 |
| 10 | ST65003 | 3/8 Flat Washer | 2 |
| 11 | ST65008 | 5/16 Flange Nut | 2 |



NOTES:
1. NOT ASSEMBLED FOR SHIPMENT

Superior Tech
Superior-Tech Inc
43 Industrial Road
Ephrata, PA 17522
717-569-3359

DESCRIPTION: Universal Grass Groomer

PART NUMBER: TK95043 GAUGE

MATERIAL: See Components FINISH: Per Parts

SIZE: Letter WEIGHT: lbs DIMENSIONS: Inch SCALE: 1:3 SHEET: 1 of 1 REV: -

| DWN | DATE | UNSPECIFIED TOLERANCES |
|------|---------|---|
| NCP | 1/18/18 | Fractional ± 1/32" Decimal ± .015" Angular ± 1/2° |
| CHK | DATE | |
| BLZ | 1/18/18 | |
| APVD | DATE | |
| SH | 1/18/18 | |

| LT | REVISION RECORD | DATE | DWN | APVD |
|----|-----------------|------|-----|------|
| | | | | |

THE INFORMATION CONTAINED IN THIS DRAWING IS THE SOLE PROPERTY OF SUPERIOR TECH INC. ANY REPRODUCTION IN PART OR AS A WHOLE WITHOUT THE WRITTEN PERMISSION OF SUPERIOR TECH INC. IS PROHIBITED