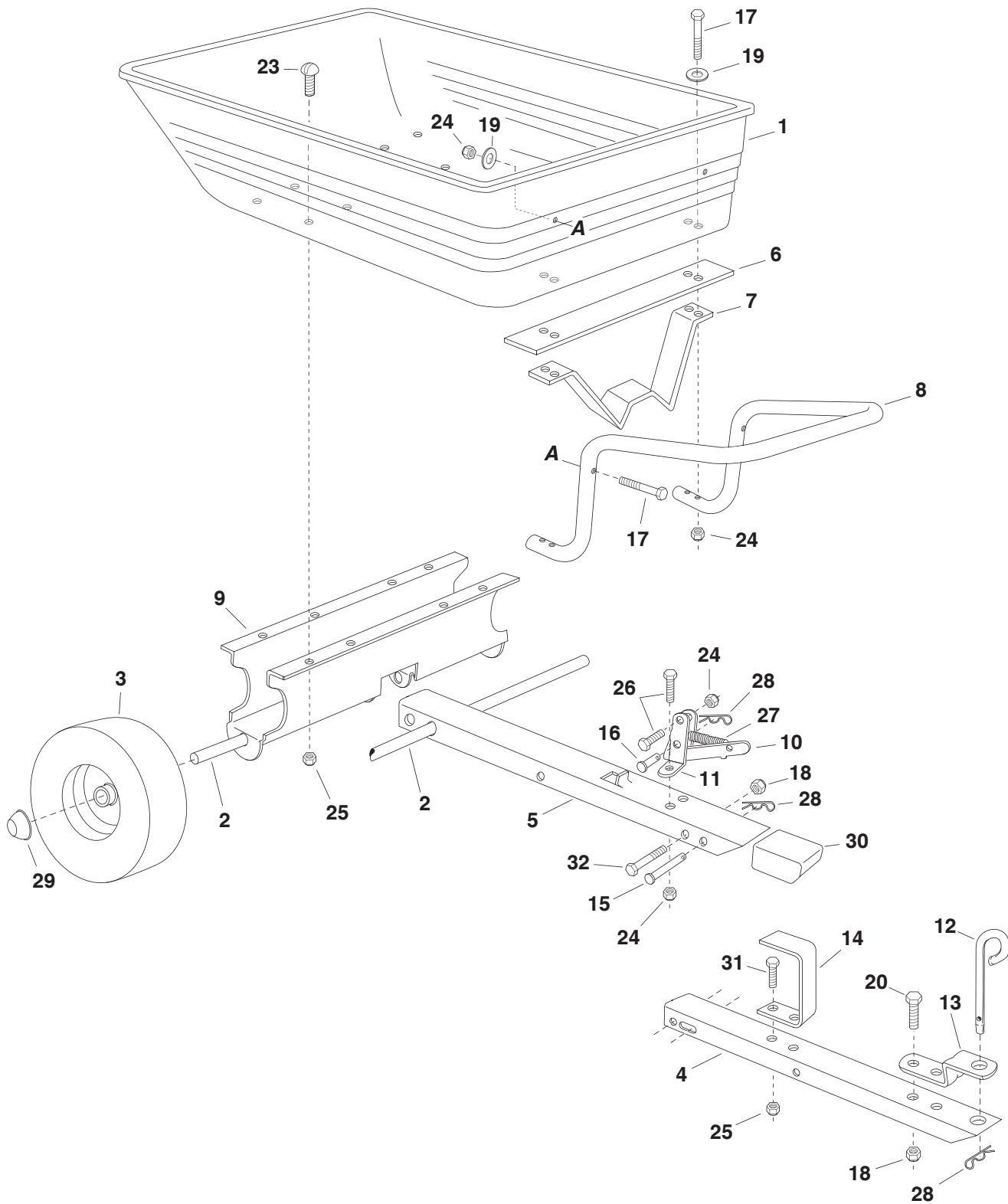


REPAIR PARTS FOR POLY CART MODEL 45-0345



REPAIR PARTS FOR POLY CART MODEL 45-0345

REF. NO.	PART NO.	QTY.	DESCRIPTION
1	48791	1	Poly Tray
2	24908	1	Axle
3	48497	2	Wheel Assembly
4	24392	1	Tongue, Front
5	24391	1	Tongue, Rear
6	24386	1	Latch Stand Plate
7	23297	1	Latch Stand Bracket
8	48834	1	Handle Tube
9	25064	1	Wheel Support
10	62020	1	Latch Lock
11	23470	2	Bracket, Latch Mounting
12	23353	1	Hitch Pin
13	23014	1	Hitch Bracket
14	24390	1	Leg Stand Bracket
15	47029	1	Clevis Pin, 3/8" x 4"
16	45091	1	Clevis Pin 3/8" x 1"
17	1509-69	6	Hex Bolt, 1/4-20 x 1-3/4" Lg. *
18	HA21362	3	Hex Nut, 3/8-16 Nylock
19	43088	6	Washer, Flat 1/4" Std. Wrought
20	43001	2	Hex Bolt, 3/8-16 x 1" Lg. *
23	43814	8	Slotted Truss Head Bolt, 5/16-18 x 3/4" Lg.*
24	47189	9	Hex Nut, 1/4-20 Nylock
25	47810	10	Hex Nut, 5/16-18 Nylock
26	43661	3	Hex Bolt, 1/4-20 x 1" Lg. *
27	43000	1	Extension Spring
28	43343	3	Hairpin, Cotter 1/8"
29	48499	2	Hub Cap
30	47038	1	Plastic Cap
31	43063	2	Hex Bolt, 5/16-18 x 1" Lg. *
32	43036	1	Hex Bolt, 3/8-16 x 4" Lg. *
	48832	1	Owner's Manual

* Purchase Common Hardware Locally

SpeedPart *the fastest way to purchase parts* www.speedpart.com