





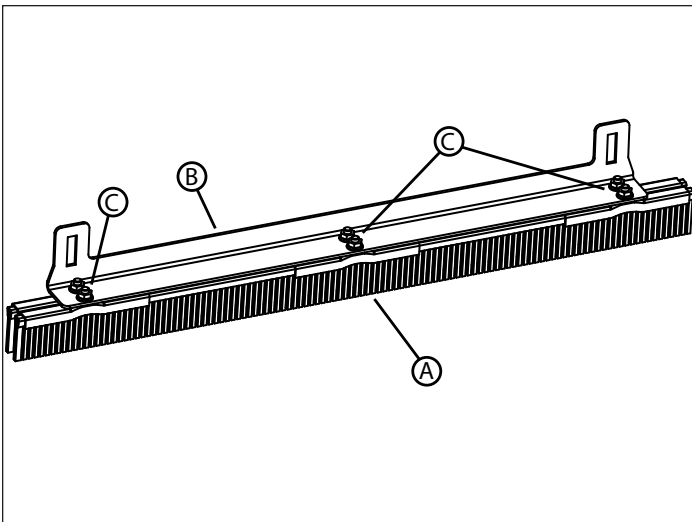
# Installing

## Parking Safely

1. Stop machine on a level surface
2. Disengage mower blades
3. Move motion control levers out to the Start/Shutdown position
4. Lock the parking brake
5. Stop the engine
6. Remove the key
7. Wait for engine and all moving parts to stop before you leave the operator's seat
8. Disconnect the negative battery cable or remove the spark plug wire (for gasoline engines) before servicing the machine

## Assembly

1. Attach Brushes (A) to Brush Support (B) using six 5/16" Flange Nuts (C).



## Installing

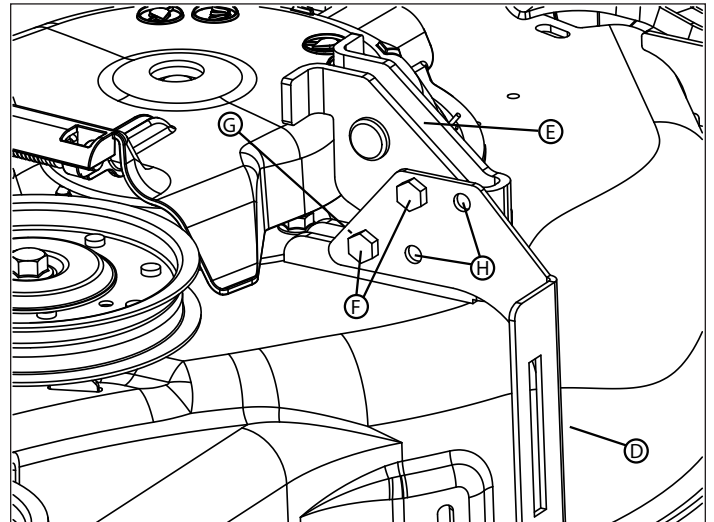
**CAUTION:** Avoid injury! Blades are sharp and can cut. Use caution and wear gloves when handling blades or working near blades.

**CAUTION:** Avoid injury! Machine component or attachment is heavy. Use a safe lifting device or get an assistant to help lift, install or remove component or attachment.

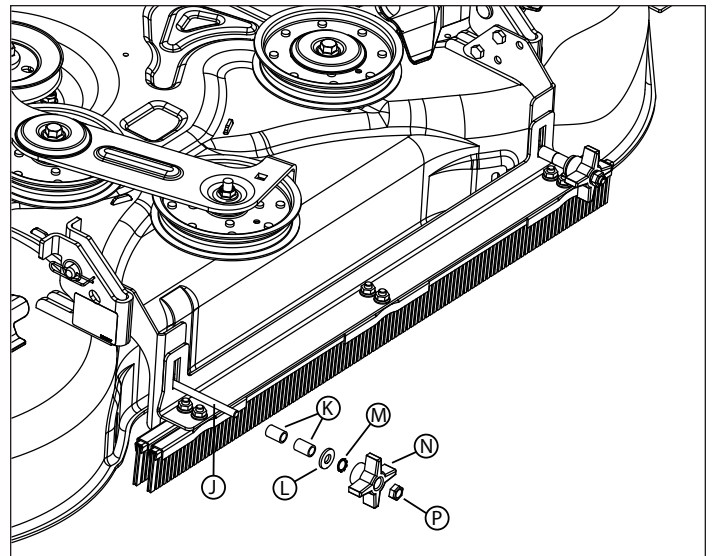
## Installing

**NOTE:** Bolt as shown for 54A mower deck, use holes (H) for 48A deck.

1. Attach Mower Mount Brackets (D) to the inside of the mower deck lift brackets (E, welded onto mower deck). Use a wrench to hold 5/16" Flange Nuts within the deck lift bracket in line with the holes and thread 5/16" x 3/4" Flange Bolts (F) into nuts. Use 5/16" Fender Washer (G) inside lower hole.



2. Connect brush support assembly to mower mount brackets at desired height (see page 4) using 3/8" x 3-1/2" Carriage Bolt (J), two Spacers (K), 3/8" Flat Washer (L), 3/8" Star Washer (M) and 3/8" Lock Knob (N). Thread 3/8" Lock Nut (P) onto the ends of the threads to prevent lock knobs from vibrating off.



# Operation and Adjustment

## Operation

The Pattern Mowing Kit extends the capability of compatible ZTrak models by providing a means to create cosmetic pattern effects on the lawn during the mowing process.

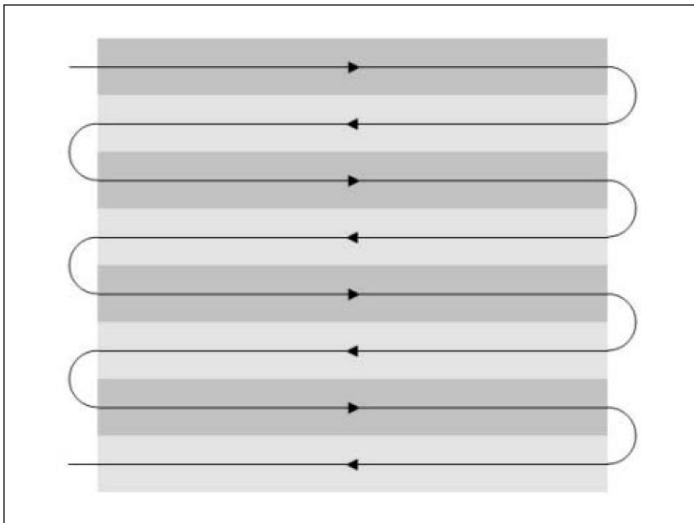
Mowing patterns can create attractive “striping” or “checkered” effects, as sunlight reflects off of the grass, bent in different directions by alternating rows or crisscrossed designs.

To accomplish this, mowing must be planned to alternate direction of mowing travel with each pass to create the most effective patterns.

For best pattern results, mowing height should be at least 2” and mowing direction should be alternated 90° (perpendicular) at each mowing from the previous time. Removing grass clippings with a material collection system will also enhance the visual effect of any pattern.

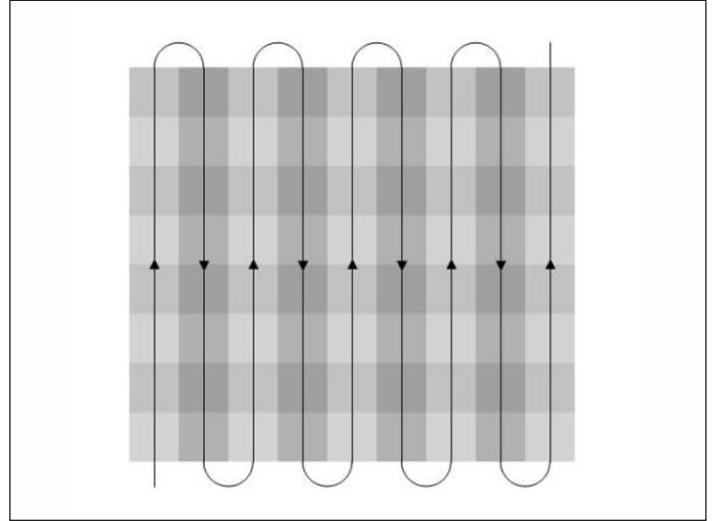
### To create a striped pattern:

Create a striped pattern by mowing in straight-line passes, alternating the direction of travel with each pass.



### To create a checkered pattern:

First, create a striped pattern. Then complete the checkered pattern by creating another striped pattern perpendicular to the first one. The intersection of the two striped patterns creates a checkerboard effect.



# Operation and Adjustment

## Adjustment



**CAUTION: Avoid injury! Touching hot surfaces can burn skin. The engine, components, and fluids will be hot if the engine has been running. Allow the engine to cool before servicing or working near the engine and components.**

Before making any adjustments to the pattern mowing kit, be sure to observe "Parking Safely" guidelines, as listed in the parking safely section of this manual.

Remove grass and debris from engine compartment, muffler area, and mower deck before and after operating machine, especially after mowing or mulching in dry conditions.

Determine desired grass height and adjust mower deck cutting height. The Pattern Mowing Kit works best with taller grass height, 2-1/2 to 3-1/2 in. Mowing heights shorter than 2in. do not allow adequate pattern creation.

Lower mower deck to cutting height, then loosen the two plastic locking knobs and lower the brush assembly until it touches the lawn surface. Lock the knobs to secure brush position. Lowering the brush farther to exert more pressure provides no additional benefit, and will reduce brush life and performance.

The brush may be reversed by removing it from the brush support and re-installing in the opposite direction. Recommended interval is once yearly, or as needed.

When parking the mower or when the mower deck is not in use, always raise the mower deck to lift the brush off the surface.

## Warranty:

### Limited Warranty for New John Deere Licensed Products

Superior Tech's grass groomers are guaranteed to be free from defects in material and workmanship from the date of purchase for 2 years residential use, 6 months commercial use, provided that the purchaser properly assembles, installs, uses and maintains the products in accordance with this manual.

Purchaser's failure to adhere to such requirements will void the warranty. To the extent permitted by applicable law, all other warranties, representations, obligations and conditions, expressed or implied, including but not limited to implied warranties of merchantability, fitness for any particular purpose and non-infringement, are hereby disclaimed and excluded.

Any product which does not meet warranty shall, as purchaser's sole and exclusive remedy, be repaired or replaced by Superior Tech. This warranty is non-transferable.

In addition, our warranty does not cover:

- Labor charges
- Loss or consequential, incidental or special damages of any kind

**This product was manufactured by Superior Tech, Inc, a John Deere Licensee, located at 43 Industrial Road, Ephrata, PA 17522. If you have any questions or concerns with the assembly, installation, or operation of this attachment, see your local John Deere dealer or call Superior Tech at 1-888-867-2238 for assistance.**

This page intentionally left blank

This page intentionally left blank

This page intentionally left blank