

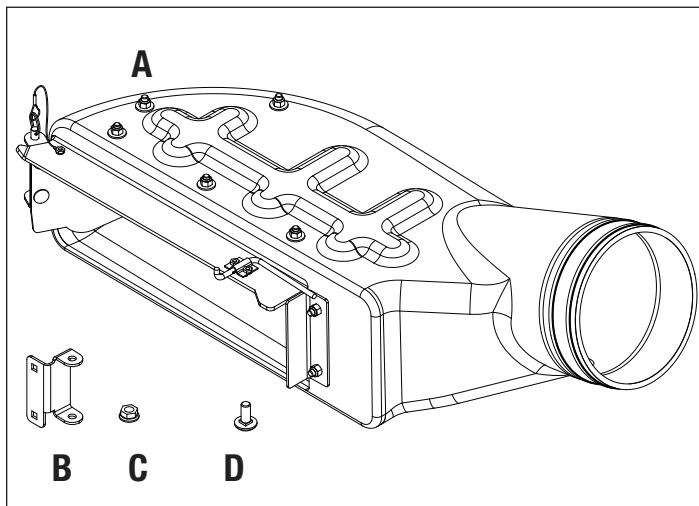
JD 60 Deck Boot Kit (TK95080)



A dedicated deck boot connects the TKV 20 to your tractor's mower deck.

Product Compatibility

60" mower deck on John Deere 1 Series tractors.



Kit Includes

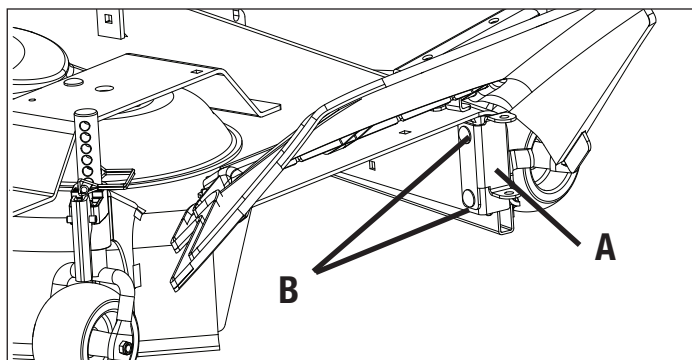
	Description	Qty.
A	Boot Assembly	1
B	Hinge Bracket	1
C	5/16" Flange Nut	2
D	5/16" x 3/4" Carriage Bolt	2

Park Safely Before Installation

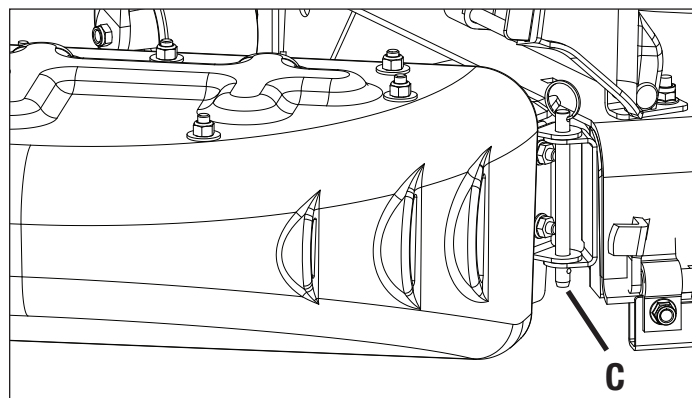
1. Stop the tractor on a level surface.
2. Lock the park brake.
3. Stop the engine.
4. Remove the key.
5. Wait for engine and all moving parts to stop before you leave the operator's seat.

Installation Instructions

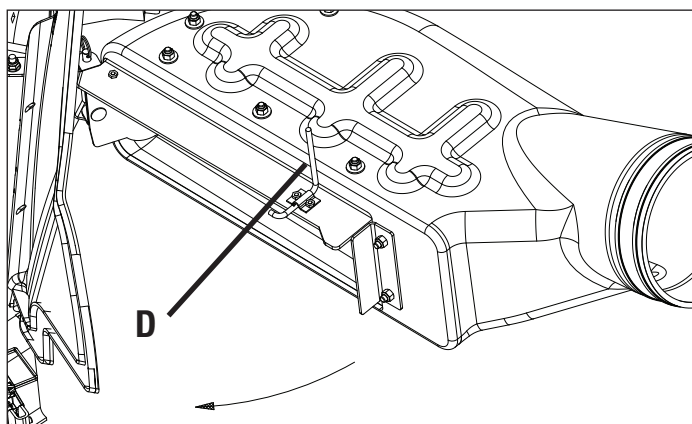
1. Install Hinge Bracket (A) on square holes on front side of mower deck using two 5/16" x 3/4" carriage bolts (B) and 5/16" flange nuts.



2. Place hinge on corner of boot assembly above the mower deck hinge bracket and insert pin (C).

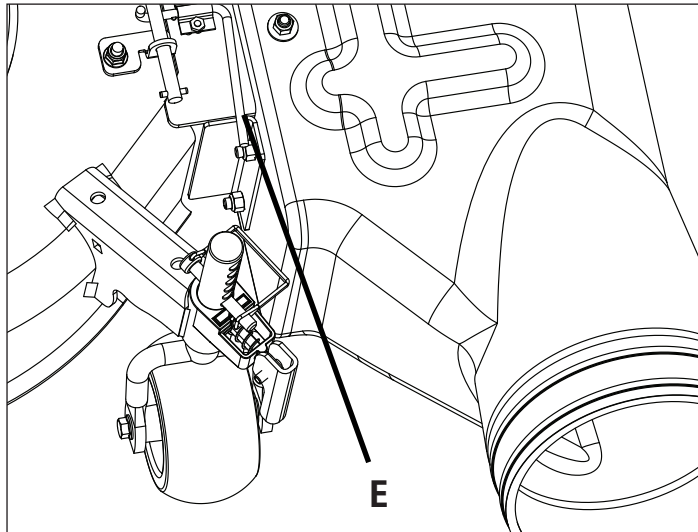


3. Raise the dispatch chute and turn the latch handle (D) and rotate the boot towards the mower deck.



4. With boot against mower deck, lower handle (E) rearward to secure boot (shown with no discharge chute for clarity).

NOTE: DO NOT REMOVE DISCHARGE CHUTE.



Removal

1. Turn Latch handle vertical and pivot boot away from mower deck.
2. Pull Hinge Pin and remove boot
3. Be sure deflector returns to down position.

Warnings

- Ensure Boot is latched and hose attached before use.
- Do not stand on boot.

Warranty

TerraKing's products are guaranteed to be free from defects in material and/or workmanship and to perform as advertised when properly assembled, installed, used, and maintained in accordance with written instructions. Failure to adhere to this will void the warranty. TerraKing will not be responsible for labor, loss, or consequential damage of any kind or character caused by defective parts, or for charges incurred in the replacement or repair of defective parts. TerraKing reserves the right to request photos or return of damaged/defective parts. To submit a claim, please have your original purchase date and a copy of your receipt (if available).

Warranty Period

The TerraKing Boot Kit is warranted for a period of 1 (one) year after the purchase date for residential use, and 6 (six) months after the purchase date for commercial use. This product is warranted by TerraKing to the original purchaser/customer against defects in material and workmanship under normal operating conditions.

TerraKing by Superior Tech, Inc.
717-286-1444
sales@terraking.com
Form # TKMI-022A-01/20