

## INSTALLATION INSTRUCTIONS

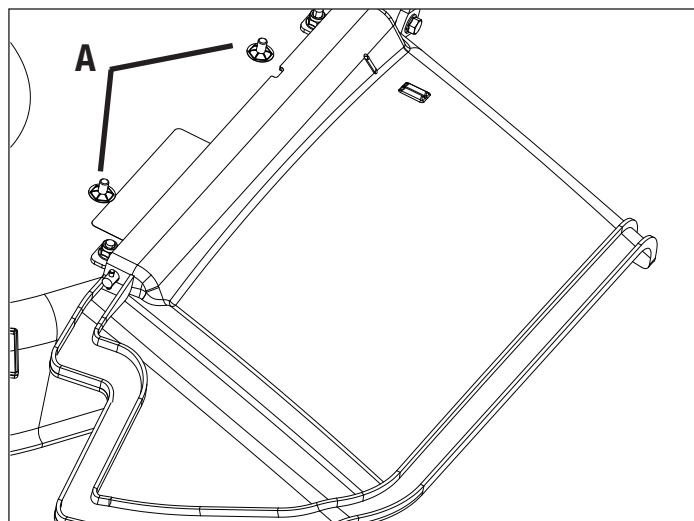
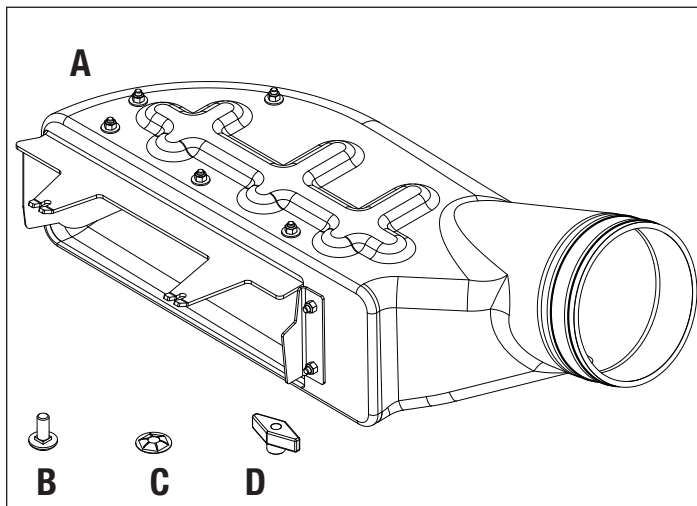
# JD 72 Deck Boot Kit (TK95082)



A dedicated deck boot connects the TKV 20 to your tractor's mower deck.

### Product Compatibility

72" mower deck on John Deere tractors.



2. Raise the discharge chute on the mower deck and slide the boot assembly (B) into place on the bolts. Tighten lock knobs (C) to hold it in place.

### Kit Includes

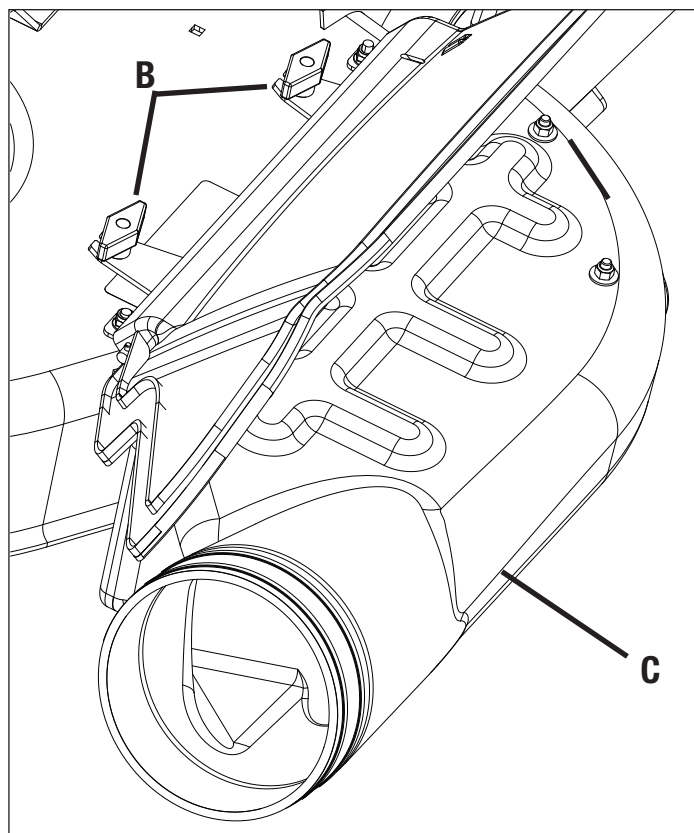
	Description	Qty.
A	Boot Assembly	1
B	5/16" x 3/4" Carriage Bolt	2
C	5/16" Bolt Retainer	2
D	5/16" Lock Knob	2

### Park Safely Before Installation

1. Stop the tractor on a level surface.
2. Lock the park brake.
3. Stop the engine.
4. Remove the key.
5. Wait for engine and all moving parts to stop before you leave the operator's seat.

### Installation Instructions

1. Place two 5/16" x 3/4" Carriage Bolts (A) through the square holes in the deck and put a bolt retainer on them. Tighten a lock knob on each bolt to flatten the retainer and keep the bolt in place. Then remove the lock knob. Verify bolts are secure.



## Removal

1. Loosen lock knob.
2. Slide Boot off move deck.
3. Be sure deflector returns to down position.

## Warnings

- Ensure Boot is latched and hose attached before use.
- Donot stand on boot.

## Warranty

TerraKing's products are guaranteed to be free from defects in material and/or workmanship and to perform as advertised when properly assembled, installed, used, and maintained in accordance with written instructions. Failure to adhere to this will void the warranty. TerraKing will not be responsible for labor, loss, or consequential damage of any kind or character caused by defective parts, or for charges incurred in the replacement or repair of defective parts. TerraKing reserves the right to request photos or return of damaged/defective parts. To submit a claim, please have your original purchase date and a copy of your receipt (if available).

## Warranty Period

The TerraKing Boot Kit is warranted for a period of 1 (one) year after the purchase date for residential use, and 6 (six) months after the purchase date for commercial use. This product is warranted by TerraKing to the original purchaser/customer against defects in material and workmanship under normal operating conditions.

TerraKing by Superior Tech, Inc.  
717-286-1444  
sales@terraking.com  
Form # TKMI-024A-01/20